



Contacts

Nidec Elevator Machine Business

China Factory

Kinetek De Sheng (KDS)
No.82 Shiliang Road, Lunjiao, Shunde District, Foshan City,
Guangdong Province, China 528308
info.el@nidec-kds.com
Phone: +86 757 2772 3088/+86 757 2772 3135

China Sales

Richard Lin
richard.lin@nidec-kds.com
+86 186 6617 3930

International Sales

Norma Tuble
norma.tuble@nidec-kds.com
+(86) 18317198081 /+(63) 9165288930

After Sales Service

Luhua Liu
Phone: +86 757 2772 3111
Email: luhua.liu@nidec-kds.com

India Factory

NIDEC Industrial Automation India Private Limited
Plot No. 205 & 208, Ground Floor,
Gamanagatti Industrial Area
Nava Nagar, Hubballi – 580025, Karnataka, India

India Sales

Arut Chelvan A
arutchelvan.a@mail.nidec.com
+91 91507 333799

After Sales Service

Vinayak Kubasad
Phone: +91 7899294544
vinayak.kubasad@mail.nidec.com

Mexico

Gilberto Fuentes
gilberto.fuentes@nidec-mce.com
+1 314 933 4992

Latin America

Jairo Guerrero
jairo.guerrero@nidec-mce.com
+1 917 972 0549

Juan Huertas
juan.huertas@nidec-mce.com
+57 319 2574604

Italy and Northern Europe

Mohamad El Charif
mohamad.elcharif@nidec-mce.com
+39 3420108012

Europe & North Africa

Bahadir Ciftci
bahadir.ciftci@nidec-mce.com
+90 539 571 0205

Turkey

Burak Celik
burak.celik@nidec-mce.com
+90 507 525 4044

Mert Yavuz
mert.yavuz@nidec-mce.com
+90 539 933 46 28

Middle East & South Africa

Mohamed Ezzeddine
mohamed.ezzeddine@nidec-mce.com
+971 50 350 0856

Omer Mukthar
omer.mukthar@nidec-mce.com
+971 52 809 6193

Central Asia & CIS countries

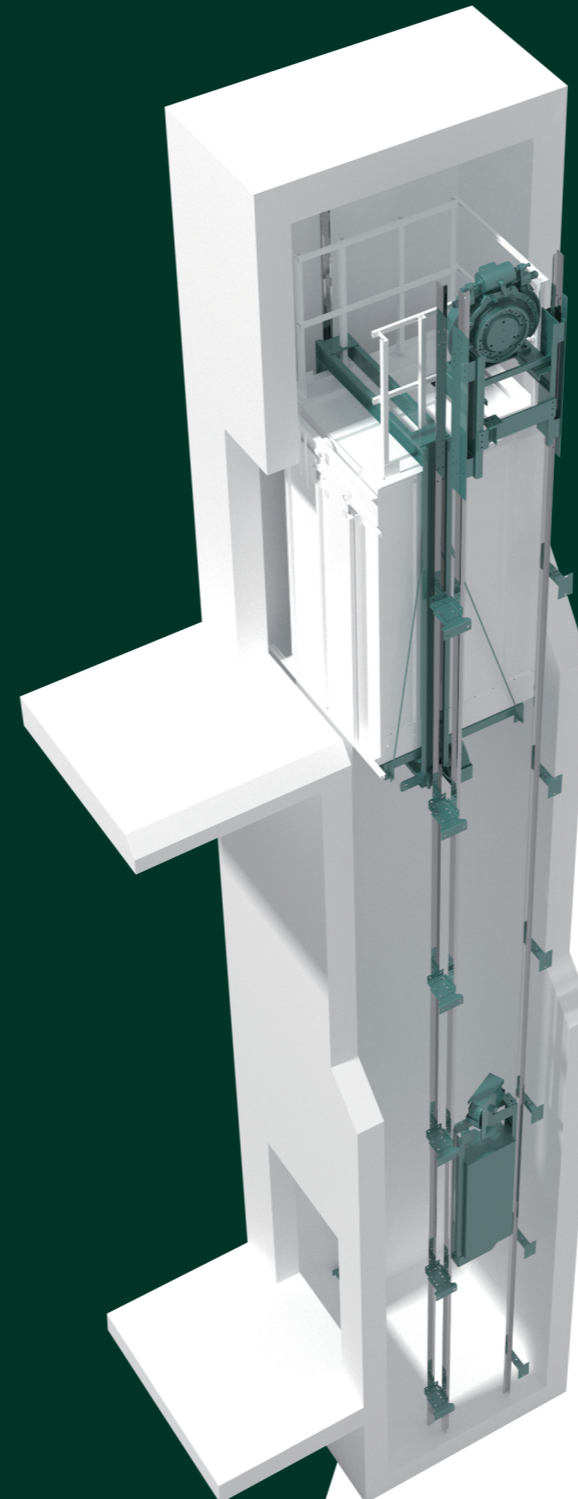
Abby Huang
abby.huang@nidec-kds.com
+86 757 2772 3106

Southeast Asia

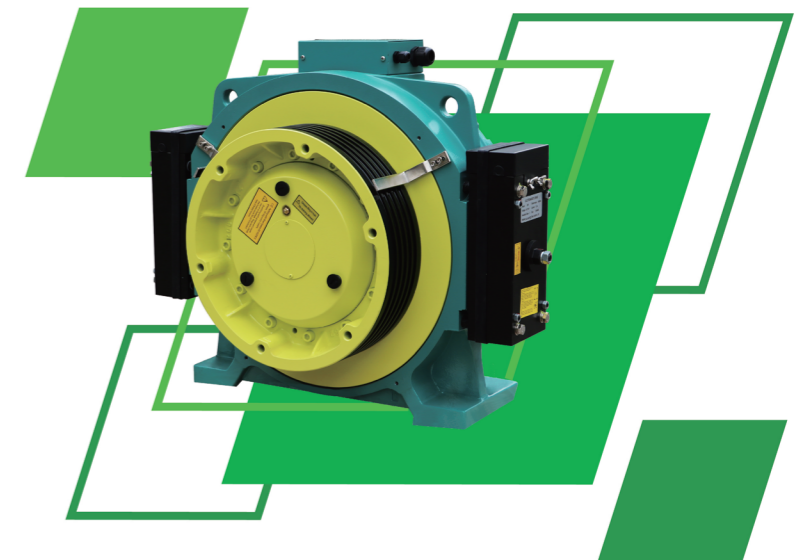
Emily Tian
emily.tian@nidec-kds.com
+86 136 3111 1498

Oceania countries

Norma Tuble
norma.tuble@nidec-kds.com
+(86) 18317198081 /+(63) 9165288930



ELEVATOR MACHINE SOLUTIONS



www.nidec-kds.com

Nidec Machine Catalogue Nov 2024



Nidec - Defined by Our Quest to Be No.1

Upholding the three all-time essential attitudes as our driving force, Nidec continues to take on challenges on a worldwide scale to become “the world’ s leading comprehensive electronics manufacturer.”

With approximately 300 group companies operating around the world, Nidec develops, produces, and sells all kinds of motors ranging from small prevision motors to super-large ones. Underpinning our business activities are the three essential attitudes, i.e., “Passion, Enthusiasm, Tenacity,” “Working hard and smart,” “Do it now, do it without hesitation; do it until completed” to become the world’s leading company. We will continue to create synergies among group companies via close collaboration with one another, produce the world’s leading products and solutions comprising our motors, peripheral equipment, and applied products, and provide our customers with new values to become a company that will grow sustainably even 100 years from now.

Transforming from the world’s leading comprehensive motor manufacturer to the world’s leading comprehensive electronics manufacturer, the Nidec Group never ceases to world for the better future.



101k

Employees globally



40+

Countries



300+

Companies



\$15.3b

Turnover

ref: as of March 31, 2024

Nidec Elevator

We keep people moving.

We create customized elevator offerings for all commercial and domestic applications.

Our agile solutions are tailored to deliver optimal reliability, efficiency and durability across new constructions and modernization projects.

As part of Nidec, the world’s largest electric motor company, we elevate every building towards its potential.



Roping	Capacity kg	0.4	0.5	1.0	1.25	1.5	1.6	1.75	2.0	2.5	3.0	3.5	4.0	5.0	6.0	7.0	8.0	9.0	10.0	12.0	
1:1	400-680																				
	800-884			WJC-E, SWTY1																	
	1000-1088																				
	1150			SWTY1, SWTY2																	
	1250			WJC-E, SWTY2							SWTYF2										
	1350																				
	1600-2000			SWTY2								SWTYF2									WH
	2500-3000													WH							
2:1	250	VL-D																			
	272		WE 06																		
	320-340	VL-D																			
	400			WJC																	
	408-544	VL-D																			
	600			WJC, WJC-E																	
	630-680			WE 06																	
	800-884			WE 06, WR-D																	
	1000-1088			WJC, WJC-E, WE 06, WR-D																	
	1150			WE 06																	
	1250			WE 06, WR-D																	
	1350-1496			WJC-T																	
	1600-1768			WJC-E, WE 10, WTY1																	
	1800-2000			WJC-T																	
	2500			WR-D																	
	3000			WJC-T																	
	3500			WJC-E, WE 10, WTY1, WTY1-C																	
	3600			WJC-E, WTY1, WTY1-C																	
	4000			WE 10																	
	4500			WR-E, WR																	
	5000			WR-D																	
	5500			WJC-E, WTY1																	
	6000			WE 20																	
	4:1	10000			WR, WR-D																
					WJC																

CONTENT

WJC-E Series	1
WJC-E(480mm/520mm) Series	9
WJC-2500/3000 Series	15
WJC-5000 Series	17
WE 06 Series	19
WJC-T Series	25
WE 10 Series	29
WE 20 Series	35
WR-D Series	41
WR Series	47
VL-D Series	51
WTY1 / WTY1-C Series(400)	53
SWTY1 Series(400)	57
WTY1 / SWTY1 Series(480)	61
WTY1 / SWTY1 Series(520)	63
WTY2 / SWTY2 Series	67
WTYF2 / SWTYF2 Series	71
WH Series	75
CONTROL Product	77

NOTE

Sheave is QT700-2 cast iron. Hardness is 235-295HB.

Undercut U groove is for single wrap and U groove is for double wrap. This can be customized according to customer requirements.

Customers must calculate the traction capacity and rope safety factor to meet standard demand.

Other cut angle β and angle of groove γ can be provided according the requirement of customers.

The working duty for traction machines is 180 times per hour. 240 times per hour or other requirement, please contact us.

IP grade refer to the machine data pages, please confirm with us if some sepcial requirement.

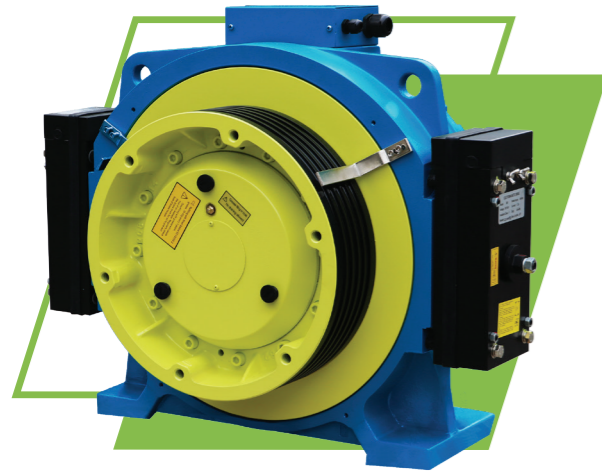
The recommended rise height is the traveling distance within 45s at the rated speed of the elevator. For example, the speed of the traction machine is 1 m/s, and the rise height is 45 m.

The balance factor is 0.4 - 0.5, unless other special indicated.

All the specifications and mounting dimensions of all product series are matching with those of real machines. But the images and outline drawing are for reference, and the specific kind prevail.

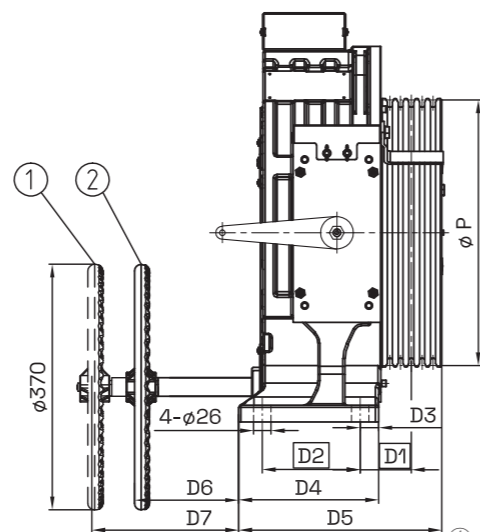
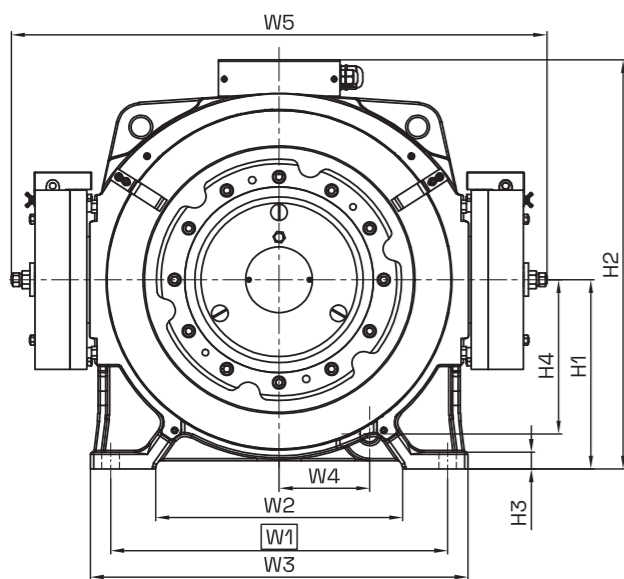
The data in this brochure is for reference only. Products data are subject to change without notice.

WJC-E SERIES MACHINES



Capacity	320kg-1000kg
Wrap	Single wrap
Rotor	External rotor
Undercut	U
Foot Pad Flatness	<0.5mm
Protection Rating	IP40
Insulation Class	F
Poles	20 30 32
Duty Cycle	S5-40%
Motor Rated Voltage	AC380V
Brake	Block
Picking/Holding Voltage	DC110V

Full-wave rectification power source for brake



① Original Position
② Operation Position

OUTLINE DRAWING DIMENSIONS

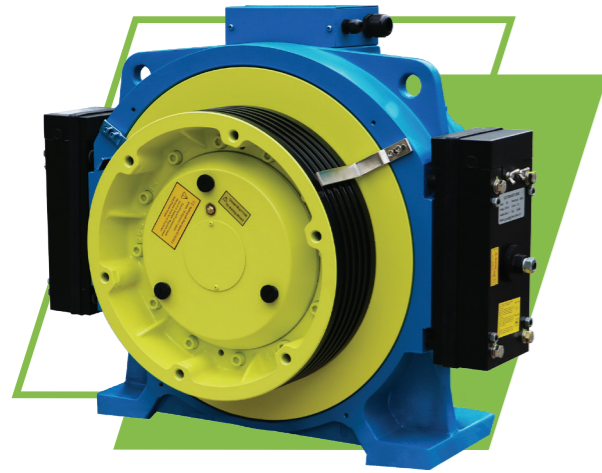
Capacity (kg)	Speed (m/s)	Roping	ØP	D1	D2	D3	D4	D5	D6	D7	W1	W2	W3	W4	W5	H1	H2	H3	H4					
320	1.0	2:1	330	57.5	146	25	210	275	90	190	390	260	480	148	640	220	477	30	176					
450	1.0-1.75																							
630	1.0-1.75																			27.5	300	115	794	25
	2.0-2.5																							
800	1.0-1.75																			76	145	27.5	300	115
	2.0-2.5																							
1000	1.0-1.75		400	84	207.5	27.5	115	220	500	366	560	134	794	285	622	25								
	2.0-2.5																							
400	1.0-2.5		1:1	76	27.5	300	115	794	25															
500	1.0-2.5																							

Model	Capacity kg	Elevator Speed m/s	Rated Output kW	Rated Current A	Rated Speed rpm	Frequency Hz	Sheave Diameter mm	Poles 2p	Torque Nm	Ropes	Groove Angle β=90° γ=30°	Roping	Shaft Load kg	Handle Wheel Y	Remote Release Y	Inertia kg m ²	Weight kg								
WJC-320-100	320	1.0	2.1	6.5	116	19.3	330	20	175	4-Φ8-12	β=90° γ=30°	2:1	1500	Y	Y	1.92	195								
WJC-450-100	450	1.0	3.0	8.5	116	19.3	330	20	247	4-Φ8-12	β=90° γ=30°	2:1	1500	Y	Y	1.92	195								
WJC-450-125		1.25	3.8	10.0	145	24.1																			
WJC-450-150		1.5	4.5	13.0	174	28.9																			
WJC-450-160		1.6	4.8		185	30.8																			
WJC-450-175		1.75	5.3		203	33.8																			
WJC-630-100-E	630	1.0	4.3	11.0	95	23.8	400	30	432	4-Φ10-16	β=95° γ=30°	2:1	3000	Y	Y	3.48	260								
WJC-630-125-E		1.25	5.2	13.0	119	29.8																			
WJC-630-150-E		1.5	6.4	16.5	143	35.8																			
WJC-630-160-E		1.6	6.8		153	38.3																			
WJC-630-175-E		1.75	7.4		167	41.8																			
WJC-630-200-E		2.0	8.5		20.0	191			47.8																
WJC-630-250-E		2.5	10.6	24.0	239	59.8																			
WJC-800-100-E	800	1.0	5.4	12.0	95	23.8	400	30	543	5-Φ10-16	β=95° γ=30°	2:1	3000	Y	Y	3.48	268								
WJC-800-125-E		1.25	6.7	15.5	119	29.8																			
WJC-800-150-E		1.5	8.1	20.0	143	35.8																			
WJC-800-160-E		1.6	8.8		153	38.3																			
WJC-800-175-E		1.75	9.6		167	41.8																			
WJC-800-200-E		2.0	11.0		191	50.9																			
WJC-800-250-E		2.5	13.8	30.0	239	63.7		32	550							3.77	310								
WJC-1000-100-E		1.0	6.1	15.0	95	23.8												400	30	610	5-Φ10-16	β=95° γ=30°	2:1	3000	Y
WJC-1000-125-E		1.25	8.2	20.0	119	29.8																			
WJC-1000-150-E	1.5	9.2	22.5	143	35.8																				
WJC-1000-160-E	1.6	10.7	26.0	153	38.3																				
WJC-1000-175-E	1.75	11.7		167	41.8																				
WJC-1000-200-E	2.0	13.3		191	50.9																				
WJC-1000-250-E	2.5	16.6		36.0	239	63.7	32	665	6-Φ10-16	3.77	320														
WJC-800-50-E	1.0	2.7	12.0	48	12.0	400						30	543	5-Φ10-16	β=95° γ=30°	1:1	3000		Y	Y					
WJC-800-75-E	1.5	4.1		72	18.0																				
WJC-800-80-E	1.6	4.3		76	19.0																				
WJC-800-100-E	2.0	5.4		95	23.8																				
WJC-800-125-E	2.5	6.7		15.5	119		29.8	400	30	610	5-Φ10-16		β=95° γ=30°					1:1			3000	Y	Y	3.48	268
WJC-1000-50-E	1.0	3.1		11.0	48		12.0																		
WJC-1000-75-E	1.5	4.6	15.0	72	18.0																				
WJC-1000-80-E	1.6	4.9		76	19.0																				
WJC-1000-100-E	2.0	6.1		95	23.8																				
WJC-1000-125-E	2.5	8.2		20.0	119	29.8																			

Notes:

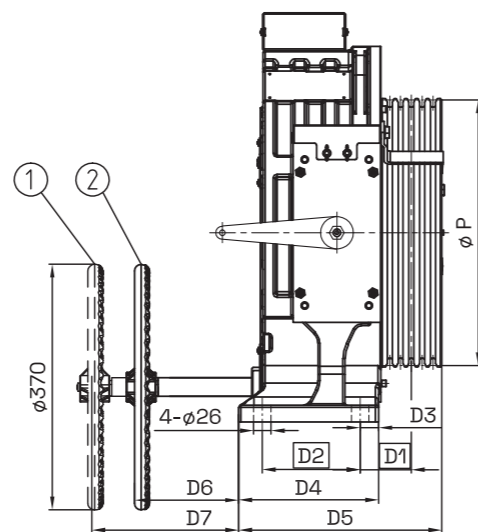
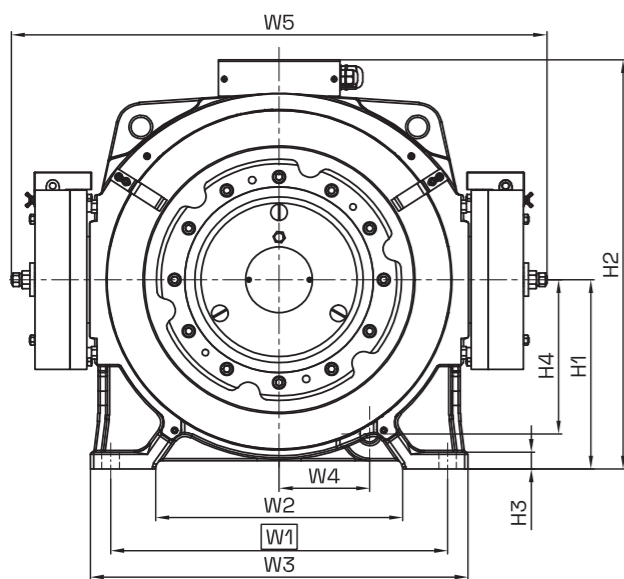
1. The brake picking/holding voltage is DC110V. Voltage switch is not necessary.
2. The balance ratio is 0.45~0.5.
3. Regen drive application, please consult with us, then order with notes.

WJC-E SERIES MACHINES - ALTERNATIVE MARKETS



Capacity	408kg-1088kg
Wrap	Single wrap
Rotor	External rotor
Undercut	U
Foot Pad Flatness	<0.5mm
Protection Rating	IP40
Insulation Class	F
Poles	20 30 32
Duty Cycle	S5-40%
Motor Rated Voltage	AC380V
Brake	Block
Picking/Holding Voltage	DC110V

Full-wave rectification power source for brake



① Original Position
② Operation Position

OUTLINE DRAWING DIMENSIONS

Capacity (kg)	Speed (m/s)	Roping	ϕP	D1	D2	D3	D4	D5	D6	D7	W1	W2	W3	W4	W5	H1	H2	H3	H4
408	1.0-1.75	2:1	330	57.5	146	25	210	275	90	190	390	260	460	148	640	220	477	30	176
544																			
408	2.0-2.5		400	76	145	34.5	204	290	90	220	500	366	560	118	724	285	591	30	204
544																			
680	1.0-1.75		400	76	145	27.5	207.5	300	115	220	500	366	560	134	794	285	622	25	233
544																			
680	2.0-2.5		400	76	145	27.5	207.5	300	115	220	500	366	560	134	794	285	622	25	233
544																			
884	1.0-1.75		400	76	145	27.5	207.5	300	115	220	500	366	560	134	794	285	622	25	233
544																			
884	2.0-2.5	400	76	145	29.5	207.5	300	90	220	500	366	560	134	806	285	622	30	233	
544																			
1088	1.0-1.75	400	84	145	27.5	207.5	300	115	220	500	366	560	134	794	285	622	25	233	
544																			
1088	2.0-2.5	400	84	145	29.5	207.5	300	90	220	500	366	560	134	806	285	622	30	233	
544																			

Model	Capacity kg	Elevator Speed m/s	Rated Output kW	Rated Current A	Rated Speed rpm	Frequency Hz	Sheave Diameter mm	Poles 2p	Torque Nm	Ropes	Groove Angle	Roping	Shaft Load kg	Handle Wheel	Remote Release	Inertia kg m ²	Weight kg
WJC-408-100	408	1.0	2.5	6.5	116	19.3	330	20	204	4-Φ8-12	β=90° γ=30°	2:1	1500	Y	Y	1.92	195
WJC-408-125		1.25	3.1	8.0	145	24.1											
WJC-408-150		1.5	3.7	11.0	174	28.9											
WJC-408-160		1.6	4.0		185	30.8											
WJC-408-175		1.75	4.3	203	33.8												
WJC-408-200-E		2.0	5.0	12.5	191	50.9											
WJC-408-250-E	2.5	6.2	15.0	239	63.7												
WJC-544-100	544	1.0	3.3	8.5	116	19.3	330	20	272	4-Φ8-12	β=90° γ=30°	2:1	1500	Y	Y	1.92	195
WJC-544-125		1.25	4.1	10.0	145	24.1											
WJC-544-150		1.5	4.9	13.0	174	28.9											
WJC-544-160		1.6	5.3		185	30.8											
WJC-544-175		1.75	5.8	203	33.8												
WJC-544-200-E		2.0	6.6	16.0	191	50.9											
WJC-544-250-E	2.5	8.3	21.0	239	63.7												
WJC-680-100-E	680	1.0	4.3	11.0	95	23.8	400	30	432	4-Φ10-16	β=95° γ=30°	2:1	3000	Y	Y	3.48	260
WJC-680-125-E		1.25	5.2	13.0	119	29.8											
WJC-680-150-E		1.5	6.4	16.5	143	35.8											
WJC-680-160-E		1.6	6.8		153	38.3											
WJC-680-175-E		1.75	7.4	167	41.8												
WJC-680-200-E		2.0	8.5	20.0	191	47.8											
WJC-680-250-E	2.5	10.6	26.0	239	59.8												
WJC-884-100-E	884	1.0	5.4	12.0	95	23.8	400	30	543	5-Φ10-16	β=95° γ=30°	2:1	3000	Y	Y	3.48	268
WJC-884-125-E		1.25	6.7	15.5	119	29.8											
WJC-884-150-E		1.5	8.1	20.0	143	35.8											
WJC-884-160-E		1.6	8.6		153	38.3											
WJC-884-175-E		1.75	9.6	167	41.8												
WJC-884-200-E		2.0	11.0	25.0	191	50.9											
WJC-884-250-E	2.5	13.8	30.0	239	63.7												
WJC-1088-100-E	1088	1.0	6.1	15.0	95	23.8	400	30	610	5-Φ10-16	β=95° γ=30°	2:1	3000	Y	Y	3.48	276
WJC-1088-125-E		1.25	8.2	20.0	119	29.8											
WJC-1088-150-E		1.5	9.2	26.0	143	35.8											
WJC-1088-160-E		1.6	10.7		153	38.3											
WJC-1088-175-E		1.75	11.7	167	41.8												
WJC-1088-200-E		2.0	13.3	30.0	191	50.9											
WJC-1088-250-E	2.5	16.6	36.0	239	63.7												

Notes:

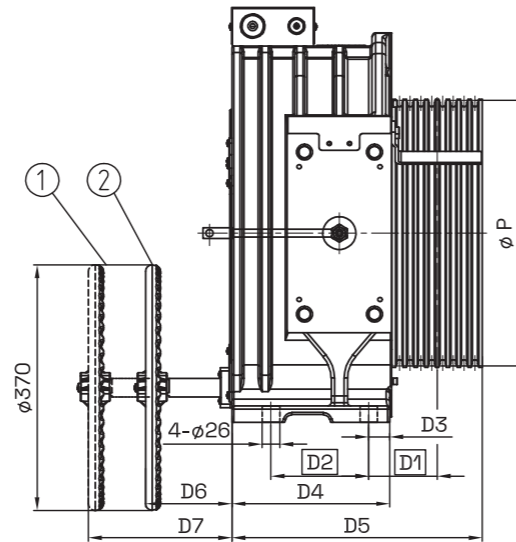
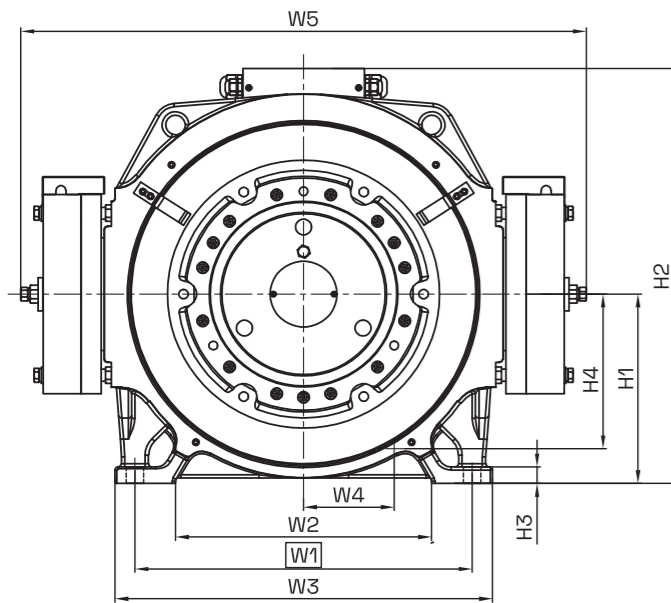
- The brake picking/holding voltage is DC110V. Voltage switch is not necessary.
- The balance ratio is 0.45~0.5.
- Regen drive application, please consult with us, then order with notes.
- The rating table pertains to markets that establish a standard of 68 kilograms per person for the calculation of elevator capacity.

WJC-E SERIES MACHINES



Capacity	630kg-1600kg
Wrap	Single wrap
Rotor	External rotor
Undercut	U
Foot Pad Flatness	<0.5mm
Protection Rating	IP40
Insulation Class	F
Poles	30 32
Duty Cycle	S5-40%
Motor Rated Voltage	AC380V
Brake	Block
Picking/Holding Voltage	DC110V

Full-wave rectification power source for brake



- ① Original Position
- ② Operation Position

OUTLINE DRAWING DIMENSIONS

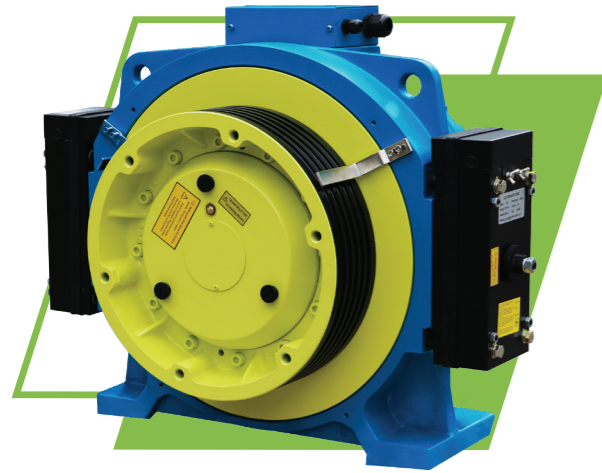
Capacity (kg)	Speed (m/s)	Roping	ΦP	D1	D2	D3	D4	D5	D6	D7	W1	W2	W3	W4	W5	H1	H2	H3	H4
1150	1.0-1.75	2:1	400	84	145	29.5	207.5	316	90	220	500	366	560	134	806	285	622	30	233
1150	2.0-2.5					26.5	239.5	350						190	110				
1250	1.0-2.5	2:1	400	101.5	145	31	234	372	90	210	500	380	560	134	840	285	625	25	233
1350														110	782				
1600	1.0-2.5	2:1	400	101.5	145	31	234	372	90	210	500	380	560	134	840	285	625	25	233
630														110	782				
800	1.0-2.5	1:1	400	101.5	145	31	234	372	90	210	500	380	560	134	840	285	625	25	233

Model	Capacity kg	Elevator Speed m/s	Rated Output kW	Rated Current A	Rated Speed rpm	Frequency Hz	Sheave Diameter mm	Poles 2p	Torque Nm	Ropes	Groove Angle β=95° γ=30°	Roping	Shaft Load kg	Handle Wheel	Remote Release	Inertia kg m ²	Weight kg	
WJC-1150-100-EH	1150	1.0	7.0	16.5	95	25.3	400	32	702	6-Φ10-16	β=95° γ=30°	2:1	3000	Y	Y	3.77	320	
WJC-1150-125-EH		1.25	8.7	22.0	119	31.7												
WJC-1150-150-EH		1.5	10.5	27.5	143	38.1												
WJC-1150-160-EH		1.6	11.2	27.5	153	40.8		30	763									
WJC-1150-175-EH		1.75	12.3	33.5	167	44.5												
WJC-1150-200-E		2.0	15.3	41.5	191	47.8												
WJC-1150-250-E	2.5	19.1	41.5	239	59.8													
WJC-1250-100-E	1250	1.0	8.3	19.0	95	23.8	400	30	830	6-Φ10-16	β=95° γ=30°	2:1	3500	Y	Y	3.77	370	
WJC-1250-125-E		1.25	10.3	24.0	119	29.8												
WJC-1250-150-E		1.5	12.4	32.0	143	35.8												
WJC-1250-160-E		1.6	13.3	32.0	153	38.3												
WJC-1250-175-E		1.75	14.5	36.0	167	41.8												
WJC-1250-200-E		2.0	16.6	41.0	191	47.8												
WJC-1250-250-E	2.5	20.8	44.0	239	59.8													
WJC-1350-100-E	1350	1.0	8.9	22.0	95	23.8	400	30	898	8-Φ10-16	β=95° γ=30°	2:1	4500	Y	Y	4.80	410	
WJC-1350-125-E		1.25	11.2	28.0	119	29.8												
WJC-1350-150-E		1.5	13.4	36.0	143	35.8												
WJC-1350-160-E		1.6	14.4	36.0	153	38.3												
WJC-1350-175-E		1.75	15.7	41.0	167	41.8												
WJC-1350-200-E		2.0	18.0	41.0	191	47.8												
WJC-1350-250-E	2.5	22.5	51.0	239	59.8													
WJC-1600-100-E	1600	1.0	10.3	25.0	95	23.8	400	30	1040	8-Φ10-16	β=95° γ=30°	2:1	4500	Y	Y	4.80	420	
WJC-1600-125-E		1.25	13.0	32.0	119	29.8												
WJC-1600-150-E		1.5	15.6	41.0	143	35.8												
WJC-1600-160-E		1.6	16.7	41.0	153	38.3												
WJC-1600-175-E		1.75	18.2	48.0	167	41.8												
WJC-1600-200-E		2.0	20.8	48.0	191	47.8												
WJC-1600-250-E	2.5	26.0	60.0	239	59.8													
WJC-1250-50-E	630	1.0	4.2	12.0	48	12.0	400	30	830	6-Φ10-16	β=95° γ=30°	1:1	3500	Y	Y	3.77	370	
WJC-1250-75-E		1.5	6.3	19.0	72	18.0												
WJC-1250-80-E		1.6	6.6	19.0	76	19.0												
WJC-1250-100-E		2.0	8.3	24.0	95	23.8												
WJC-1250-125-E		2.5	10.3	24.0	119	29.8												
WJC-1600-50-E	800	1.0	5.2	14.0	48	12.0	400	30	1040	8-Φ10-16	β=95° γ=30°	1:1	4500	Y	Y	4.80	420	
WJC-1600-75-E		1.5	7.8	25.0	72	18.0												
WJC-1600-80-E		1.6	8.3	25.0	76	19.0												
WJC-1600-100-E		2.0	10.3	32.0	95	23.8												
WJC-1600-125-E		2.5	13.0	32.0	119	29.8												

Notes:

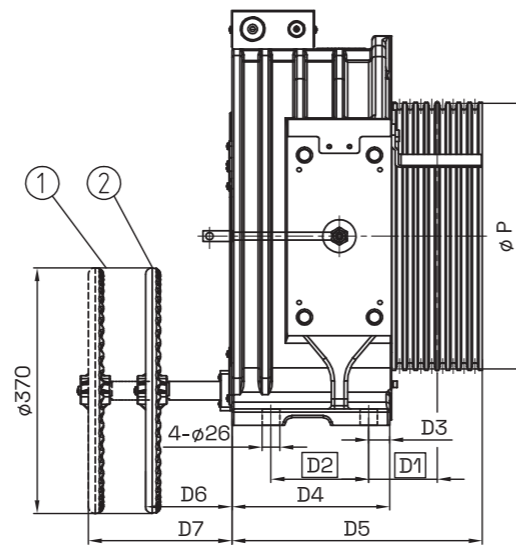
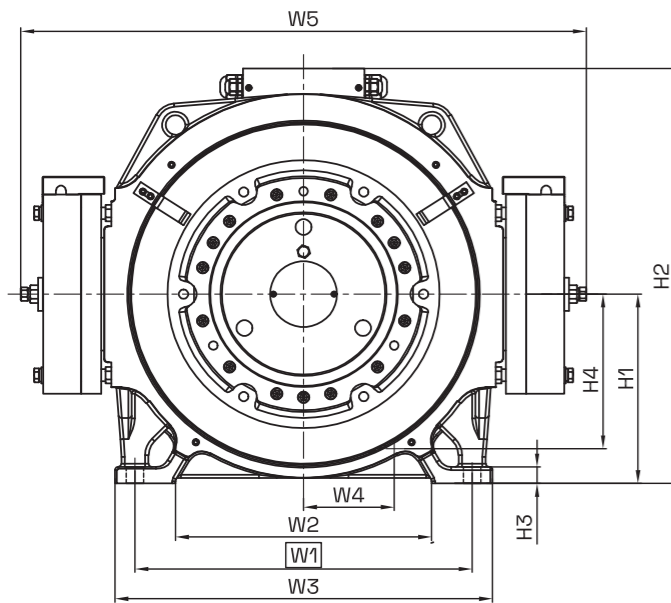
1. The brake picking/holding voltage is DC110V. Voltage switch is not necessary.
2. The balance ratio is 0.45~0.5.
3. Regen drive application, please consult with us, then order with notes.
4. WJC-1150-EH series max travel height are 60m.

WJC-E SERIES MACHINES - ALTERNATIVE MARKETS



Capacity	680kg-1632kg
Wrap	Single wrap
Rotor	External rotor
Undercut	U
Foot Pad Flatness	<0.5mm
Protection Rating	IP40
Insulation Class	F
Poles	30 32
Duty Cycle	S5-40%
Motor Rated Voltage	AC380V
Brake	Block
Picking/Holding Voltage	DC110V

Full-wave rectification power source for brake



① Original Position
② Operation Position

OUTLINE DRAWING DIMENSIONS

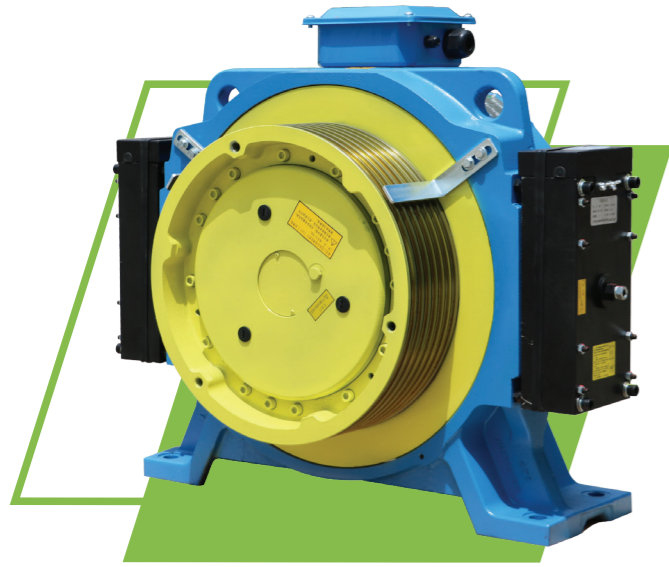
Capacity (kg)	Speed (m/s)	Roping	ΦP	D1	D2	D3	D4	D5	D6	D7	W1	W2	W3	W4	W5	H1	H2	H3	H4
1150	1.0-1.75	2:1	400	84	145	90	134	806	285	220	500	366	560	110	782	622	30	233	233
1150	2.0-2.5																		
1250	1.0-2.5																		
1360	1.0-2.5	1:1	400	101.5	145	90	134	806	285	210	500	380	560	110	840	625	25	233	233
1632	1.0-2.5																		
680	1.0-2.5																		
800	1.0-2.5																		

Model	Capacity kg	Elevator Speed m/s	Rated Output kW	Rated Current A	Rated Speed rpm	Frequency Hz	Sheave Diameter mm	Poles 2p	Torque Nm	Ropes	Groove Angle	Roping	Shaft Load kg	Handle Wheel	Remote Release	Inertia kg m ²	Weight kg										
WJC-1150-100-EH	1150	1.0	7.0	16.5	95	25.3	400	32	702	6-Φ10-16	β=95° γ=30°	2:1	3000	Y	Y	3.77	320										
WJC-1150-125-EH		1.25	8.7	22.0	119	31.7																					
WJC-1150-150-EH		1.5	10.5	27.5	143	38.1																					
WJC-1150-160-EH		1.6	11.2	27.5	153	40.8		30	763				3500					370									
WJC-1150-175-EH		1.75	12.3	27.5	167	44.5																					
WJC-1150-200-E		2.0	15.3	33.5	191	47.8		30	763				3500					370									
WJC-1150-250-E		2.5	19.1	41.5	239	59.8																					
WJC-1250-100-E	1.0	8.3	19.0	95	23.8	400	30			830	6-Φ10-16	β=95° γ=30°		2:1	3500	Y	Y		3.77	370							
WJC-1250-125-E	1.25	10.3	24.0	119	29.8																						
WJC-1250-150-E	1.5	12.4	32.0	143	35.8																						
WJC-1250-160-E	1.6	13.3	32.0	153	38.3																						
WJC-1250-175-E	1.75	14.5	32.0	167	41.8																						
WJC-1250-200-E	2.0	16.6	36.0	191	47.8																						
WJC-1250-250-E	2.5	20.8	44.0	239	59.8																						
WJC-1360-100-E	1.0	8.9	22.0	95	23.8	400	30	898	8-Φ10-16	β=95° γ=30°	2:1	4500	Y	Y	4.80	410											
WJC-1360-125-E	1.25	11.2	28.0	119	29.8																						
WJC-1360-150-E	1.5	13.4	36.0	143	35.8																						
WJC-1360-160-E	1.6	14.4	36.0	153	38.3																						
WJC-1360-175-E	1.75	15.7	36.0	167	41.8																						
WJC-1360-200-E	2.0	18.0	41.0	191	47.8																						
WJC-1360-250-E	2.5	22.5	51.0	239	59.8																						
WJC-1632-100-E	1.0	10.3	25.0	95	23.8	400	30	1040	8-Φ10-16	β=95° γ=30°	2:1	4500	Y	Y	4.80	420											
WJC-1632-125-E	1.25	13.0	32.0	119	29.8																						
WJC-1632-150-E	1.5	15.6	41.0	143	35.8																						
WJC-1632-160-E	1.6	16.7	41.0	153	38.3																						
WJC-1632-175-E	1.75	18.2	41.0	167	41.8																						
WJC-1632-200-E	2.0	20.8	48.0	191	47.8																						
WJC-1632-250-E	2.5	26.0	60.0	239	59.8																						
WJC-1360-50-E	1.0	4.5	12.0	48	12.0	400	30	898	8-Φ10-16	β=95° γ=30°	2:1	4500	Y	Y	4.80	410											
WJC-1360-75-E	1.5	6.8	22.0	72	18.0																						
WJC-1360-80-E	1.6	7.1	22.0	76	19.0																						
WJC-1360-100-E	2.0	8.9	28.0	95	23.8																						
WJC-1360-125-E	2.5	11.2	28.0	119	29.8																						
WJC-1632-50-E	1.0	5.2	14.0	48	12.0												400	30	1040	8-Φ10-16	β=95° γ=30°	1:1	4500	Y	Y	4.80	420
WJC-1632-75-E	1.5	7.8	25.0	72	18.0																						
WJC-1632-80-E	1.6	8.3	25.0	76	19.0																						
WJC-1632-100-E	2.0	10.3	32.0	95	23.8																						
WJC-1632-125-E	2.5	13.0	32.0	119	29.8																						

Notes:

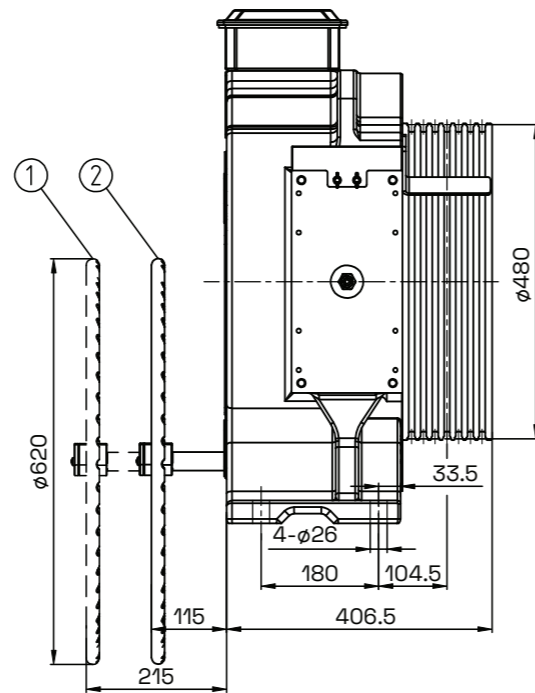
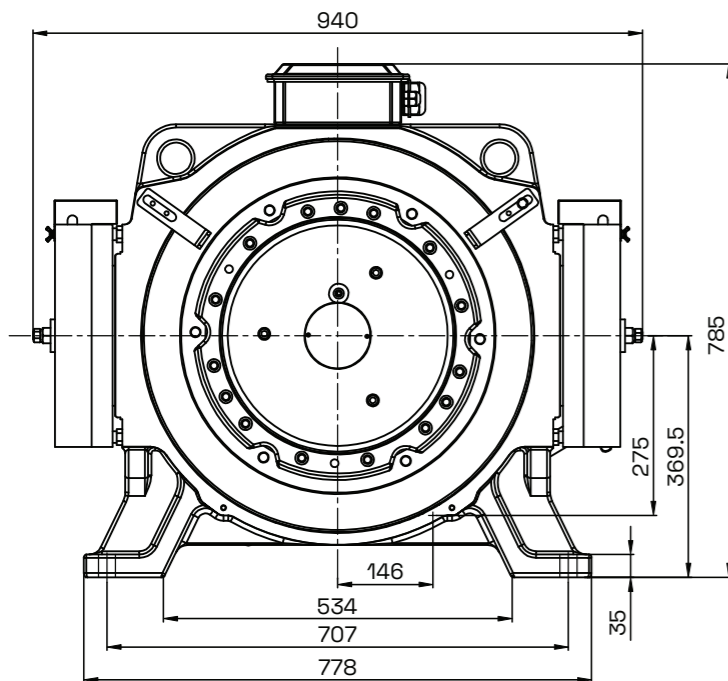
- The brake picking/holding voltage is DC110V. Voltage switch is not necessary.
- The balance ratio is 0.45~0.5.
- Regen drive application, please consult with us, then order with notes.
- WJC-1150-EH series max travel height are 60m.
- The rating table pertains to markets that establish a standard of 68 kilograms per person for the calculation of elevator capacity.

WJC-E (480mm SHEAVE) SERIES MACHINES



Capacity	800kg-5000kg
Wrap	Single wrap
Rotor	External rotor
Undercut	U
Foot Pad Flatness	<0.5mm
Protection Rating	IP40
Insulation Class	F
Poles	30
Duty Cycle	S5-40% 30%
Motor Rated Voltage	AC380V
Brake	Block
Picking/Holding Voltage	DC110V

Full-wave rectification power source for brake



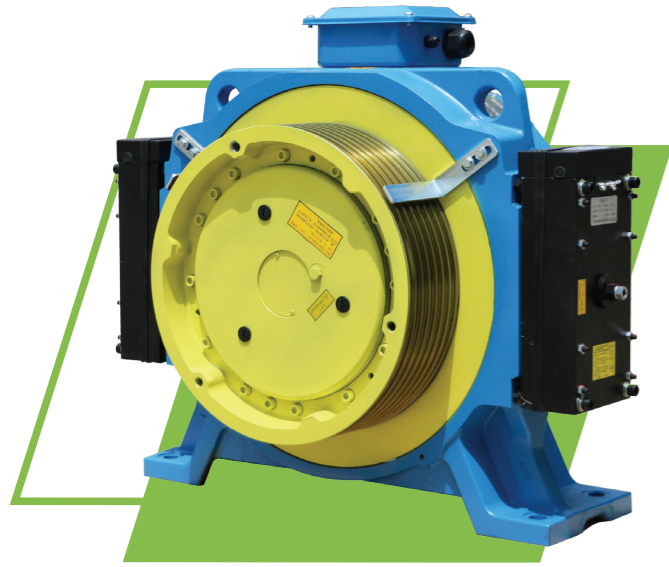
- ① Original Position
- ② Operation Position

Model	Capacity kg	Elevator Speed m/s	Rated Output kW	Rated Current A	Rated Speed rpm	Frequency Hz	Sheave Diameter mm	Torque Nm	Ropes	Groove Angle $\beta=95^\circ$ $\gamma=30^\circ$	Roping	Shaft Load kg	Handle Wheel	Remote Release	Inertia $kg\ m^2$	Weight kg
WJC-1600-100-E(480)	1600	1.0	10.6	25.0	80	19.9	480	1277	7- $\Phi 12-18$	$\beta=95^\circ$ $\gamma=30^\circ$	2:1	6000	Y	N	9.0	645
WJC-1600-125-E(480)		1.25	13.3	28.8	99	24.9										
WJC-1600-150-E(480)		1.5	16.0		119	29.8										
WJC-1600-160-E(480)		1.6	17.0	42.0	127	31.8										
WJC-1600-175-E(480)		1.75	18.6		139	34.8										
WJC-1600-200-E(480)		2.0	21.3	47.0	159	39.8										
WJC-1600-250-E(480)		2.5	26.6	58.0	199	49.7										
WJC-2000-100-E(480)	2000	1.0	13.3	29.0	80	19.9	480	1596	7- $\Phi 12-18$	$\beta=95^\circ$ $\gamma=30^\circ$	2:1	6000	Y	N	9.0	645
WJC-2000-125-E(480)		1.25	16.6	37.5	99	24.9										
WJC-2000-150-E(480)		1.5	20.0		119	29.8										
WJC-2000-160-E(480)		1.6	21.3	50.0	127	31.8										
WJC-2000-175-E(480)		1.75	23.3		139	34.8										
WJC-2000-200-E(480)		2.0	26.6	57.0	159	39.8										
WJC-2000-250-E(480)		2.5	33.3	70.0	199	49.7										
★ WJC-2500-100-E(480)	2500	1.0	15.2	34.0	80	19.9	480	1829	7- $\Phi 12-18$	$\beta=95^\circ$ $\gamma=30^\circ$	2:1	6000	Y	N	9.0	660
★ WJC-2500-125-E(480)		1.25	19.1	42.0	99	24.9										
★ WJC-2500-150-E(480)		1.5	22.9		119	29.8										
★ WJC-2500-160-E(480)		1.6	24.4	63.0	127	31.8										
★ WJC-2500-175-E(480)		1.75	26.7		139	34.8										
★ WJC-2500-200-E(480)		2.0	30.5	70.0	159	39.8										
★ WJC-2500-250-E(480)		2.5	33.3	70.0	199	49.7										
★ WJC-2500-100-E(480)	5000	0.5	15.2	34.0	80	19.9	480	1829	7- $\Phi 12-18$	$\beta=95^\circ$ $\gamma=30^\circ$	4:1	6000	Y	N	9.0	660
★ WJC-2500-200-E(480)		1.0	30.5	70.0	159	39.8										
WJC-1600-50-E(480)	800	1.0	5.3	12.5	40	9.9	480	1277	7- $\Phi 12-18$	$\beta=95^\circ$ $\gamma=30^\circ$	1:1	6000	Y	N	9.0	645
WJC-1600-75-E(480)		1.5	8.0		60	14.9										
WJC-1600-80-E(480)		1.6	8.5	20.2	64	15.9										
WJC-1600-88-E(480)		1.75	9.3		70	17.4										
WJC-1600-100-E(480)		2.0	10.6	25.0	80	19.9										
WJC-1600-125-E(480)		2.5	13.3	28.8	99	24.9										
WJC-2000-50-E(480)		1000	1.0	6.1	16.0	40										
WJC-2000-75-E(480)	1.5		10.0		60	14.9										
WJC-2000-80-E(480)	1.6		10.6	27.0	64	15.9										
WJC-2000-88-E(480)	1.75		11.6		70	17.4										
WJC-2000-100-E(480)	2.0		13.3	29.0	80	19.9										
WJC-2000-125-E(480)	2.5		16.6	37.5	99	24.9										
★ WJC-2500-50-E(480)	1250		1.0	7.6	20.0	40	9.9	480	1829	7- $\Phi 12-18$	$\beta=95^\circ$ $\gamma=30^\circ$	1:1	6000	Y	N	9.0
★ WJC-2500-75-E(480)		1.5	11.4		60	14.9										
★ WJC-2500-80-E(480)		1.6	12.2	30.0	64	15.9										
★ WJC-2500-88-E(480)		1.75	13.3		70	17.4										
★ WJC-2500-100-E(480)		2.0	15.2	34.0	80	19.9										
★ WJC-2500-125-E(480)		2.5	19.1	42.0	99	24.9										

Notes:

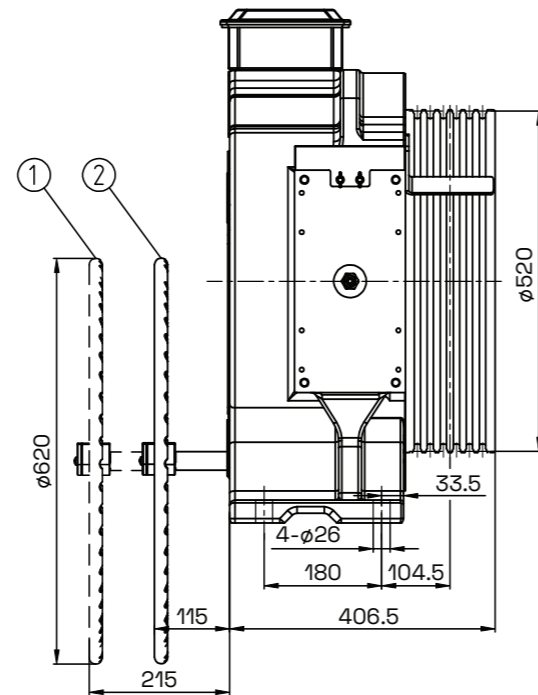
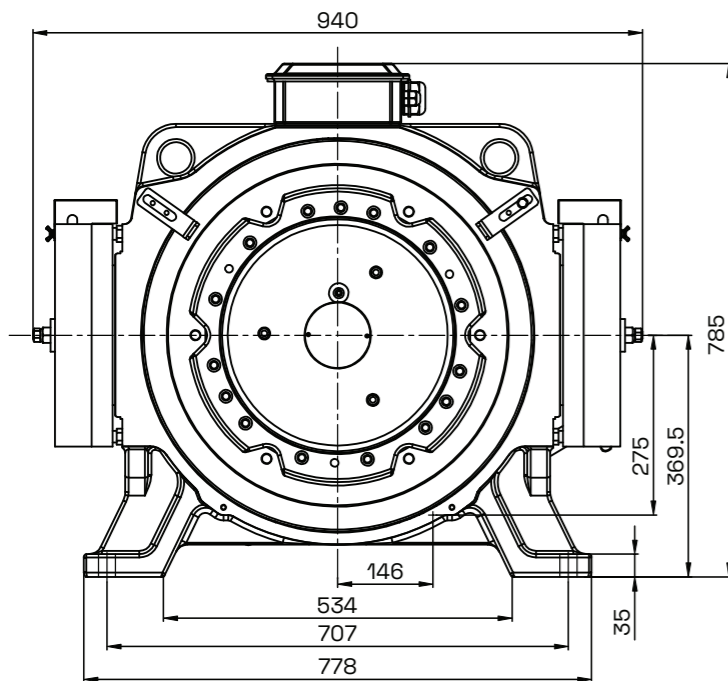
1. The brake picking/holding voltage is DC110V. Voltage switch is not necessary.
2. The balance ratio is 0.45~0.5.
3. With "★" mark, the duty cycle is S5-30%.
4. Regen drive application, please consult with us, then order with notes.
5. For alternative markets, we can supply this series machine with $\Phi 10$ mm ropes, groove distance is 16mm and the max quantity is 8.

WJC-E (520mm SHEAVE) SERIES MACHINES



Capacity	800kg-2000kg
Wrap	Single wrap
Rotor	External rotor
Undercut	U
Foot Pad Flatness	<0.5mm
Protection Rating	IP40
Insulation Class	F
Poles	30
Duty Cycle	S5-40%
Motor Rated Voltage	AC380V
Brake	Block
Picking/Holding Voltage	DC110V

Full-wave rectification power source for brake



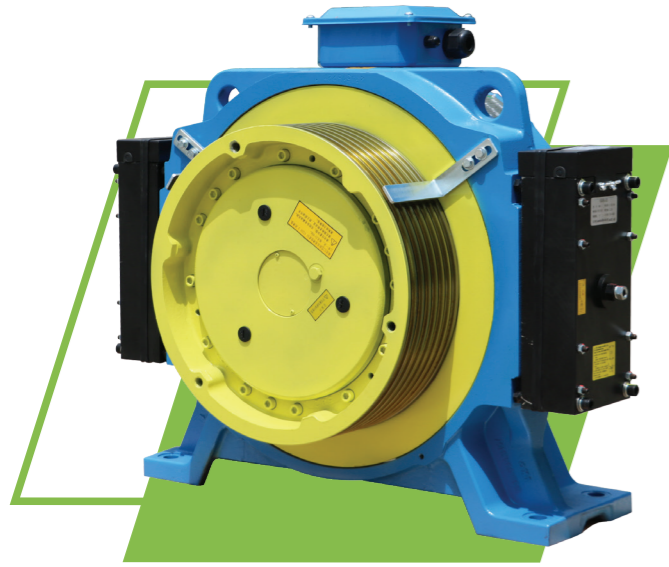
① Original Position
② Operation Position

Model	Capacity kg	Elevator Speed m/s	Rated Output kW	Rated Current A	Rated Speed rpm	Frequency Hz	Sheave Diameter mm	Torque Nm	Ropes 6-Φ13-20	Groove Angle β=95° γ=30°	Roping 2:1	Shaft Load kg	Handle Wheel Y	Remote Release N	Inertia kg m ²	Weight kg	
WJC-1600-100-E(520)	1600	1.0	10.6	25.0	73	18.4	520	1384	6-Φ13-20	β=95° γ=30°	2:1	6000	Y	N	9.0	645	
WJC-1600-125-E(520)		1.25	13.3	28.8	92	23.0											
WJC-1600-150-E(520)		1.5	16.0	42.0	110	27.5											
WJC-1600-160-E(520)		1.6	17.0		118	29.4											
WJC-1600-175-E(520)		1.75	18.6	129	32.1												
WJC-1600-200-E(520)		2.0	21.3	47.0	147	36.7											
WJC-1600-250-E(520)		2.5	26.6	58.0	184	45.9											
WJC-1600-300-E(520)		3.0	31.9	68.0	220	55.1											
WJC-2000-100-E(520)	2000	1.0	13.3	29.0	73	18.4	520	1729	6-Φ13-20	β=95° γ=30°	2:1	6000	Y	N	9.0	660	
WJC-2000-125-E(520)		1.25	16.6	37.5	92	23.0											
WJC-2000-150-E(520)		1.5	20.0	50.0	110	27.5											
WJC-2000-160-E(520)		1.6	21.3		118	29.4											
WJC-2000-175-E(520)		1.75	23.3	129	32.1												
WJC-2000-200-E(520)		2.0	26.6	50.0	147	36.7											
WJC-1600-50-E(520)	800	1.0	5.3	12.5	37	9.2	520	1384	6-Φ13-20	β=95° γ=30°	1:1	6000	Y	N	9.0	645	
WJC-1600-75-E(520)		1.5	8.0	20.2	55	13.8											
WJC-1600-80-E(520)		1.6	8.5		59	14.7											
WJC-1600-88-E(520)		1.75	9.3	64	16.1												
WJC-1600-100-E(520)		2.0	10.6	25.0	73	18.4											
WJC-1600-125-E(520)		2.5	13.3	28.8	92	23.0											
WJC-2000-50-E(520)	1000	1.0	6.1	16.0	37	9.2	520	1585	6-Φ13-20	β=95° γ=30°	1:1	6000	Y	N	9.0	660	
WJC-2000-75-E(520)		1.5	10.0	27.0	55	13.8											
WJC-2000-80-E(520)		1.6	10.6		59	14.7											
WJC-2000-88-E(520)		1.75	11.6	64	16.1												
WJC-2000-100-E(520)		2.0	13.3	29.0	73	18.4											
WJC-2000-125-E(520)		2.5	16.6	37.5	92	23.0											

Notes:

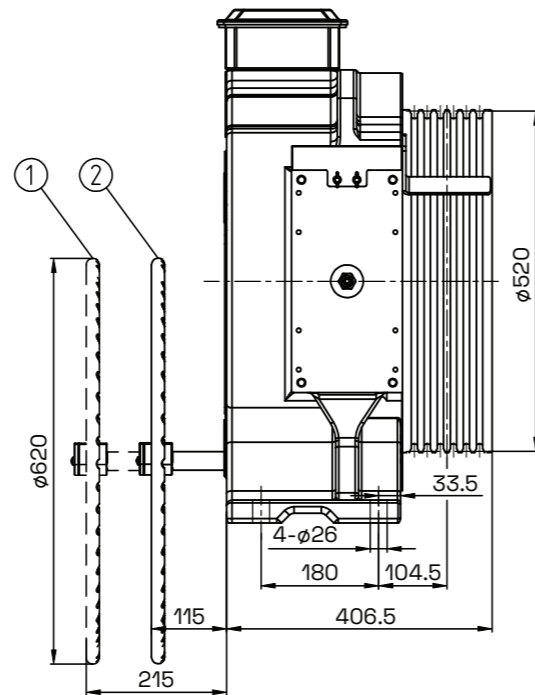
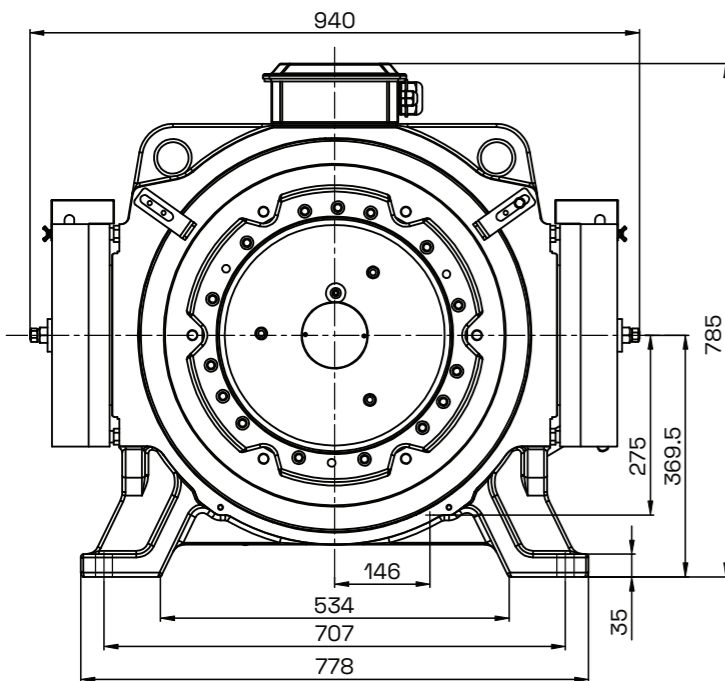
1. The brake picking/holding voltage is DC110V. Voltage switch is not necessary.
2. The balance ratio is 0.45~0.5.
3. Regen drive application, please consult with us, then order with notes.

WJC-E (520mm SHEAVE) SERIES MACHINES - ALTERNATIVE MARKETS



Capacity	800kg-1632kg
Wrap	Single wrap
Rotor	External rotor
Undercut	U
Foot Pad Flatness	<0.5mm
Protection Rating	IP40
Insulation Class	F
Poles	30
Duty Cycle	S5-40%
Motor Rated Voltage	AC380V
Brake	Block
Picking/Holding Voltage	DC110V

Full-wave rectification power source for brake



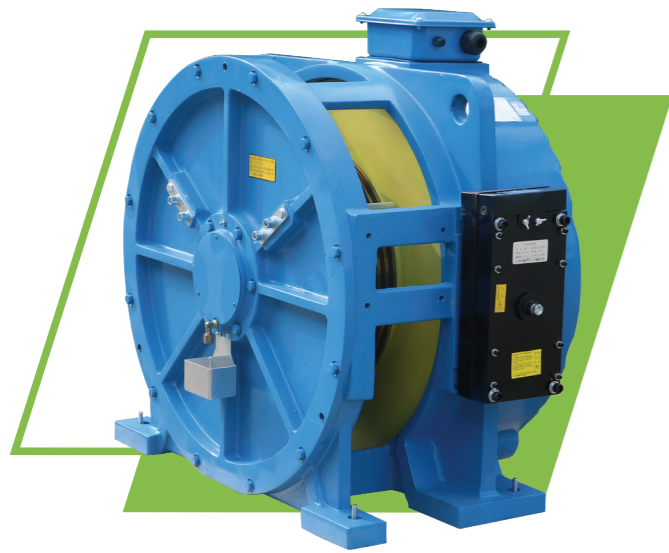
① Original Position
② Operation Position

Model	Capacity kg	Elevator Speed m/s	Rated Output kW	Rated Current A	Rated Speed rpm	Frequency Hz	Sheave Diameter mm	Torque Nm	Ropes 6-Φ13-20	Groove Angle β=95° γ=30°	Roping 2:1	Shaft Load kg	Handle Wheel Y	Remote Release N	Inertia kg m ²	Weight kg											
WJC-1632-100-E(520)	1632	1.0	10.6	25.0	73	18.4	520	1384	6-Φ13-20	β=95° γ=30°	2:1	6000	Y	N	9.0	645											
WJC-1632-125-E(520)		1.25	13.3	28.8	92	23.0																					
WJC-1632-150-E(520)		1.5	16.0	42.0	110	27.5																					
WJC-1632-160-E(520)		1.6	17.0		118	29.4																					
WJC-1632-175-E(520)		1.75	18.6	129	32.1	45.9																					
WJC-1632-200-E(520)		2.0	21.3	147	36.7																						
WJC-1632-250-E(520)		2.5	26.6	58.0	184	55.1											520	1729	6-Φ13-20	β=95° γ=30°	2:1	6000	Y	N	9.0	660	
WJC-1632-300-E(520)		3.0	31.9	68.0	220	55.1																					
WJC-2000-100-E(520)		2000	1.0	13.3	29.0	73																					18.4
WJC-2000-125-E(520)			1.25	16.6	37.5	92																					23.0
WJC-2000-150-E(520)	1.5		20.0	50.0	110	27.5																					
WJC-2000-160-E(520)	1.6		21.3		118	29.4																					
WJC-2000-175-E(520)	1.75		23.3	129	32.1	36.7																					
WJC-2000-200-E(520)	2.0		26.6	147	36.7																						
WJC-1632-50-E(520)	800		1.0	5.3	12.5	37	9.2	520	1384	6-Φ13-20	β=95° γ=30°	1:1	6000	Y	N	9.0											645
WJC-1632-75-E(520)		1.5	8.0	20.2	55	13.8																					
WJC-1632-80-E(520)		1.6	8.5		59	14.7																					
WJC-1632-88-E(520)		1.75	9.3	64	16.1	18.4																					
WJC-1632-100-E(520)		2.0	10.6	73	18.4																						
WJC-1632-125-E(520)		2.5	13.3	28.8	92	23.0	520										1585	6-Φ13-20	β=95° γ=30°	1:1	6000	Y	N	9.0	660		
WJC-2000-50-E(520)		1.0	6.1	16.0	37	9.2																					
WJC-2000-75-E(520)	1.5	10.0	27.0	55	13.8																						
WJC-2000-80-E(520)	1.6	10.6		59	14.7																						
WJC-2000-88-E(520)	1.75	11.6	64	16.1	18.4																						
WJC-2000-100-E(520)	2.0	13.3	29.0	73		18.4																					
WJC-2000-125-E(520)	2.5	16.6	37.5	92	23.0																						

Notes:

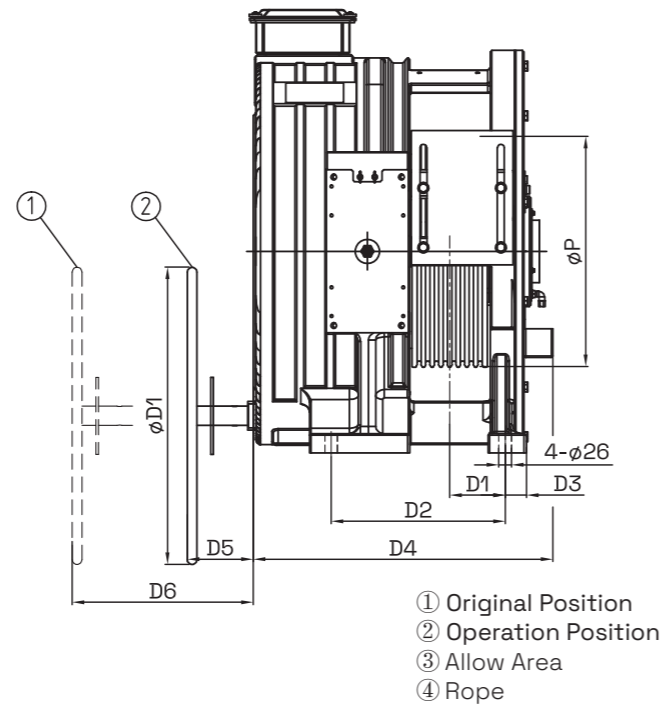
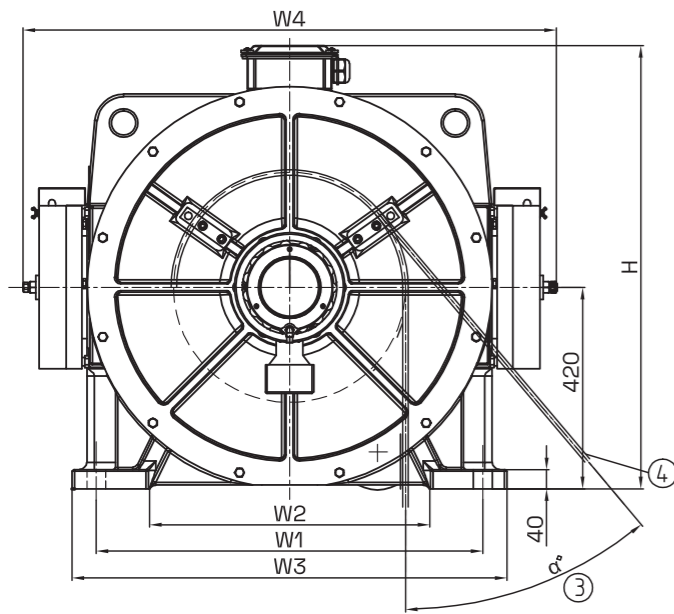
1. The brake picking/holding voltage is DC110V. Voltage switch is not necessary.
2. The balance ratio is 0.45~0.5.
3. Regen drive application, please consult with us, then order with notes.
4. The rating table pertains to markets that establish a standard of 68 kilograms per person for the calculation of elevator capacity.
5. For alternative markets, we can supply this series machine with Φ10mm ropes, groove distance is 16mm and the max quantity is 8.

WJC-2500/3500 SERIES MACHINES



Capacity	1000kg-3500kg
Wrap	Single wrap
Rotor	External rotor
Undercut	U
Foot Pad Flatness	<0.5mm
Protection Rating	IP40
Insulation Class	F
Poles	40
Duty Cycle	S5-40% 30%
Motor Rated Voltage	AC380V
Brake	Block
Picking/Holding Voltage	DC110V

Full-wave rectification power source for brake



OUTLINE DRAWING DIMENSIONS

Capacity (kg)	Speed (m/s)	Roping	ΦP	D1	D2	D3	D4	D5	D6	W1	W2	W3	W4	H	α	ΦD1
1000-3000	1.0-3.0	2:1	480	115	360	44	620	137	235	800	580	900	1104	924	40°	620
1000	3.0		520													
1000-1600	3.5-4.0		670													
3500	1.0-2.5		520	136	322	49	632	380	520	1147	936	40°				

Model	Capacity	Elevator Speed	Rated Output	Rated Current	Rated Speed	Frequency	Sheave Diameter	Torque	Ropes	Groove Angle	Roping	Shaft Load	Handle Wheel	Remote Release	Inertia	Weight	
	kg	m/s	kW	A	rpm	Hz	mm	Nm		β=95° γ=30°		kg			kg m ²	kg	
WJC-2500-100	2500	1.0	16.6	40.0	80	26.5	480	1995	8-Φ12-18	β=95° γ=30°	2:1	7000	Y	N	22	1035	
WJC-2500-125		1.25	20.8	48.0	99	33.2											
WJC-2500-150		1.5	24.9	63.0	119	39.8											
WJC-2500-160		1.6	26.6		127	42.4											
WJC-2500-175		1.75	29.1	139	46.4												
WJC-2500-200		2.0	32.5	72.5	159	53.1											1950
WJC-2500-250		2.5	38.1	80.0	199	66.3											1829
★ WJC-3000-100-H	3000	1.0	18.3	44.0	80	26.5	480	2195	8-Φ12-18	β=95° γ=30°	2:1	7000	Y	N	22	1035	
★ WJC-3000-125-H		1.25	22.9	52.0	99	33.2											
★ WJC-3000-150-H		1.5	27.4	76.5	119	39.8											
★ WJC-3000-160-H		1.6	29.3		127	42.4											
★ WJC-3000-175-H		1.75	32.0	139	46.4												
★ WJC-3000-200-H		2.0	36.6	82.0	159	53.1											
WJC-1000-300		1000	3.0	20.0	44.5	239											79.6
WJC-1150-300	1150	23.0		51.0	918												
WJC-1250-300	1250	25.0		56.0	998												
WJC-1350-300	1350	27.0		60.0	1078												
WJC-1600-300	1600	31.9		68.0	1277												
WJC-2000-300	2000	39.9		89.0	1596												
★ WJC-3500-100-H	3500	1.0		15.2	40.0		73	24.5	520	1982	7-Φ13-20	β=95° γ=30°	2:1	7000	Y	N	
★ WJC-3500-125-H		1.25	19.1	48.0	92	30.6											
★ WJC-3500-150-H		1.5	22.9	63.0	110	36.7											
★ WJC-3500-160-H		1.6	24.4		118	39.2											
★ WJC-3500-175-H		1.75	26.7	129	42.8												
★ WJC-3500-200-H		2.0	30.5	72.5	147	49.0											
★ WJC-3500-250-H		2.5	38.1	83.0	184	61.2											
WJC-1000-300(520)	1000	3.0	20.0	44.5	220	73.5	520	865	7-Φ13-20	β=95° γ=30°	2:1	7000	Y	N	22	1050	
WJC-1150-300(520)	1150		23.0	51.0													994
WJC-1250-300(520)	1250		25.0	56.0													1081
WJC-1350-300(520)	1350		27.0	60.0													1167
WJC-1600-300(520)	1600		31.9	68.0													1384
WJC-2000-300(520)	2000		39.9	89.0													1729
WJC-1000-350(670)	1000		3.5	21.3													44.0
WJC-1000-400(670)		4.0	24.4	50.0	228	76.0											
WJC-1150-350(670)	1150	3.5	24.5	51.0	200	66.5	1174	5-Φ13-20	β=95° γ=30°	2:1	7000	Y	N	31	1120		
WJC-1150-400(670)		4.0	28.0	57.0	228	76.0											
WJC-1250-350(670)	1250	3.5	26.7	55.0	200	66.5	1277	5-Φ13-20	β=95° γ=30°	2:1	7000	Y	N	31	1120		
WJC-1250-400(670)		4.0	30.5	63.0	228	76.0											
WJC-1350-350(670)	1350	3.5	28.8	59.0	200	66.5	1379	5-Φ13-20	β=95° γ=30°	2:1	7000	Y	N	31	1120		
WJC-1350-400(670)		4.0	32.9	66.0	228	76.0											
WJC-1600-350(670)	1600	3.5	34.1	68.0	200	66.5	1634	5-Φ13-20	β=95° γ=30°	2:1	7000	Y	N	31	1120		
WJC-1600-400(670)		4.0	39.0	78.0	228	76.0											

Notes:

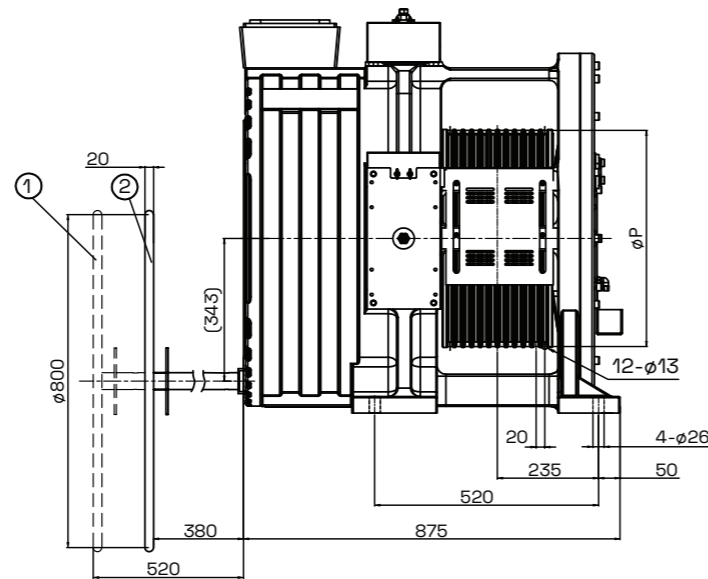
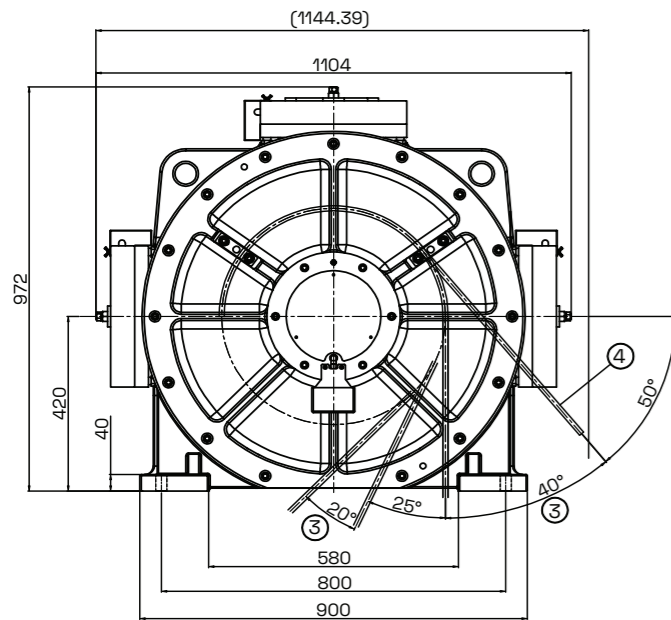
1. Customers need to confirm on the angel range of this series traction machine with our engineers.
2. The balance ratio for WJC-2500-200~250, WJC-3000-H, WJC-1000~1600-350~400 are 0.45~0.5.
3. The brake picking/holding voltage is DC110V. Voltage switch is not necessary.
4. With "★" mark, the duty cycle is S5-30%.
5. Regen drive application, please consult with us, then order with notes.

WJC-5000 SERIES MACHINES



Capacity	3500kg-5500kg
Wrap	Single wrap
Rotor	External rotor
Undercut	U
Foot Pad Flatness	<0.5mm
Protection Rating	IP40
Insulation Class	F
Poles	40
Duty Cycle	S5-40% 30%
Motor Rated Voltage	AC380V
Brake	Block
Picking/Holding Voltage	DC110V

Full-wave rectification power source for brake



- ① Original Position
- ② Operation Position
- ③ Allow Area
- ④ Rope

Model	Capacity kg	Elevator Speed m/s	Rated Output kW	Rated Current A	Rated Speed rpm	Frequency Hz	Sheave Diameter mm	Torque Nm	Ropes	Groove Angle $\beta=95^\circ$ $\gamma=30^\circ$	Roping	Shaft Load kg	Handle Wheel	Remote Release	Inertia kg m ²	Weight kg
WJC-3500-100	3500	1.0	23.3	50.0	73	24.5	520	3026	12-Φ13-20	$\beta=95^\circ$ $\gamma=30^\circ$	2:1	10000	Y	N	30.6	1550
WJC-3500-150		1.5	34.9	74.5	110	36.7										
WJC-3500-160		1.6	37.3	86.0	118	39.2										
WJC-3500-175		1.75	40.7	105.0	129	42.8										
WJC-3500-200		2.0	46.6	148.0	147	49.0										
★ WJC-3500-300		3.0	69.8	148.0	220	73.5										
WJC-4000-100	4000	1.0	26.6	58.0	73	24.5	520	3459	12-Φ13-20	$\beta=95^\circ$ $\gamma=30^\circ$	2:1	15000	Y	N	32.3	1590
WJC-4000-150		1.5	39.9	87.0	110	36.7										
WJC-4000-160		1.6	42.6	105.0	118	39.2										
WJC-4000-175		1.75	46.6	129.0	129	42.8										
WJC-4000-200		2.0	53.2	117.0	147	49.0										
★ WJC-4000-300		3.0	79.8	172.0	220	73.5										
WJC-5000-100	5000	1.0	33.3	72.0	73	24.5	520	4324	12-Φ13-20	$\beta=95^\circ$ $\gamma=30^\circ$	2:1	15000	Y	N	32.3	1590
WJC-5000-150		1.5	49.9	108.0	110	36.7										
WJC-5000-160		1.6	53.2	131.0	118	39.2										
WJC-5000-175		1.75	58.2	135.0	129	42.8										
WJC-5000-200		2.0	66.5	135.0	147	49.0										
★ WJC-5000-250		2.5	83.2	166.0	184	61.2										
★ WJC-5000-300	3.0	99.8	215.0	220	73.5											
WJC-5500-100	5500	1.0	33.5	73.0	73	24.5	520	4360	12-Φ13-20	$\beta=95^\circ$ $\gamma=30^\circ$	2:1	15000	Y	N	32.3	1590
WJC-5500-150		1.5	50.3	109.0	110	36.7										
WJC-5500-160		1.6	53.7	133.0	118	39.2										
WJC-5500-175		1.75	58.7	137.0	129	42.8										
WJC-5500-200		2.0	67.1	137.0	147	49.0										
★ WJC-5500-250		2.5	83.8	166.0	184	61.2										
★ WJC-5500-300	3.0	100.6	217.0	220	73.5											
WJC-3500-100(640)	3500	1.0	23.3	61.5	60	19.9	640	3725	12-Φ13-20	$\beta=95^\circ$ $\gamma=30^\circ$	2:1	10000	Y	N	37.2	1550
WJC-3500-150(640)		1.5	34.9	92.0	90	29.8										
WJC-3500-160(640)		1.6	37.3	106.0	95	31.8										
WJC-3500-175(640)		1.75	40.7	106.0	104	34.8										
WJC-3500-200(640)		2.0	46.6	129.0	119	39.8										
WJC-3500-250(640)		2.5	58.2	135.0	149	49.7										
WJC-3500-300(640)	3.0	69.8	182.0	179	59.7											
WJC-4000-100(640)	4000	1.0	26.6	71.0	60	19.9	640	4257	12-Φ13-20	$\beta=95^\circ$ $\gamma=30^\circ$	2:1	15000	Y	N	37.2	1590
WJC-4000-150(640)		1.5	39.9	107.0	90	29.8										
WJC-4000-160(640)		1.6	42.6	129.0	95	31.8										
WJC-4000-175(640)		1.75	46.6	129.0	104	34.8										
WJC-4000-200(640)		2.0	53.2	144.0	119	39.8										
WJC-4000-200(640)		2.0	53.2	144.0	119	39.8										

Notes:

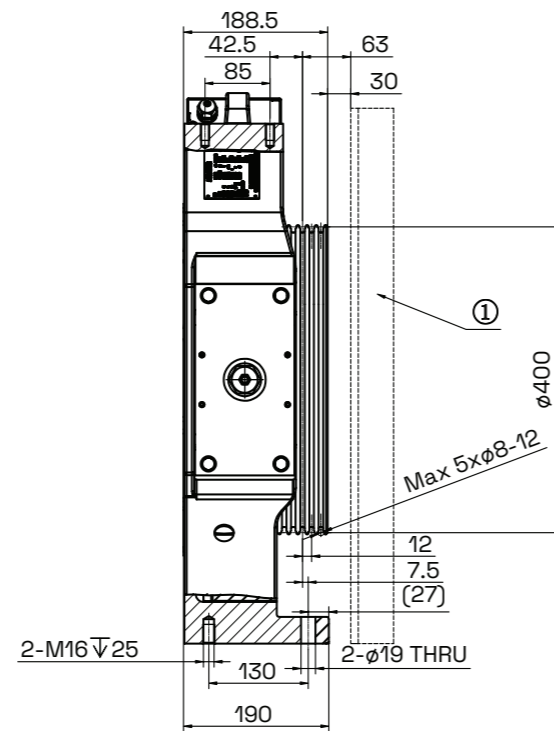
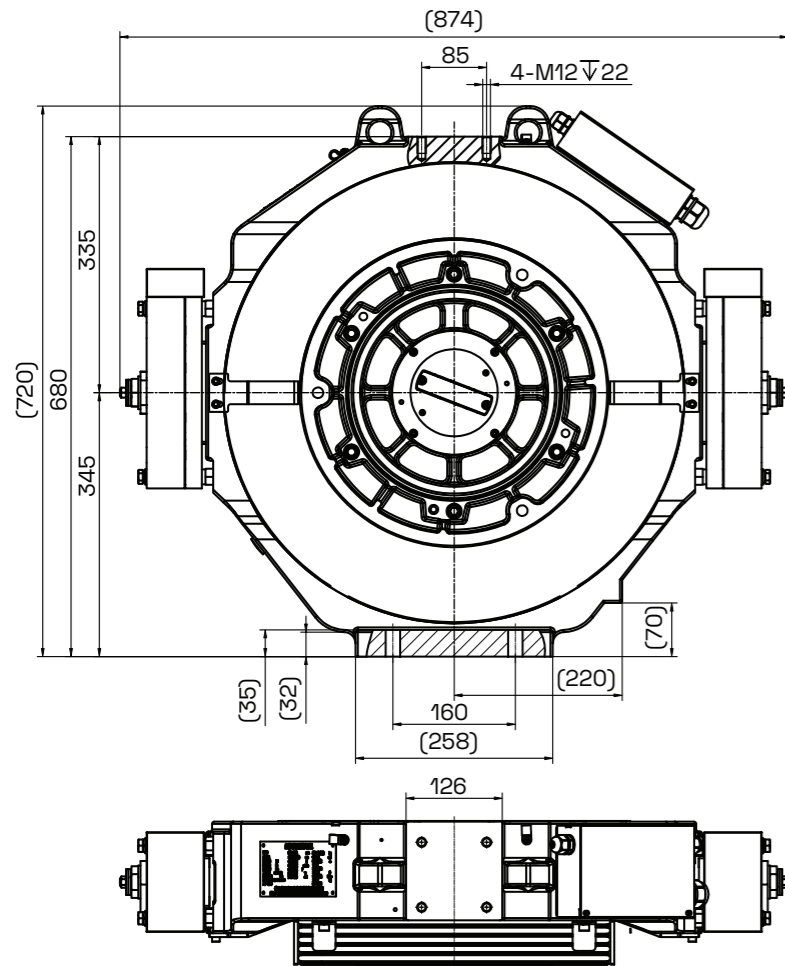
1. The brake picking/holding voltage is DC110V. Voltage switch is not necessary.
2. With "★" mark, the duty cycle is S5-30%.
3. Regen drive application, please consult with us, then order with notes.
4. The balance ratio for WJC-5500 series are 0.45-0.5.

WE 06 (400mm SHEAVE)SERIES MACHINES



Capacity	272kg-680kg
Wrap	Single wrap
Rotor	External rotor
Undercut	U
Foot Pad Flatness	<0.5mm
Protection Rating	IP41
Insulation Class	F
Poles	30
Duty Cycle	S5-40%
Motor Rated Voltage	AC380V
Brake	Block
Picking/Holding Voltage	DC110V

Full-wave rectification power source for brake



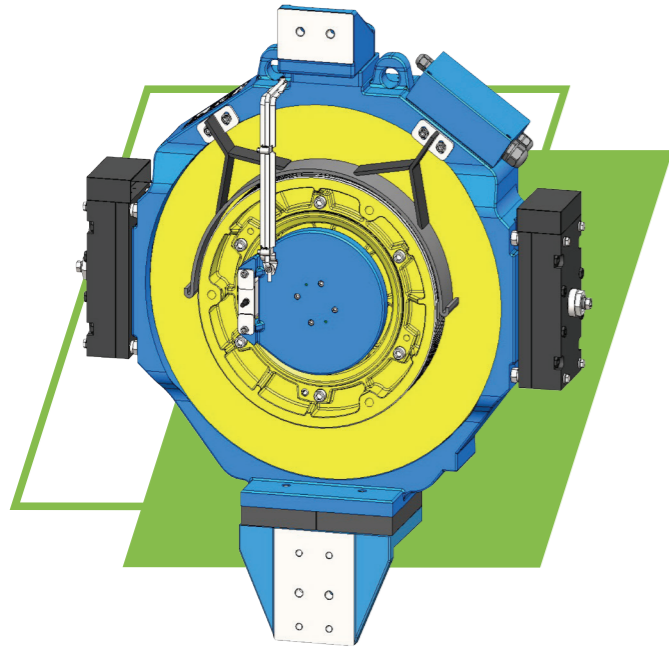
① Rails

Model	Capacity kg	Elevator Speed m/s	Rated Output kW	Rated Current A	Rated Speed rpm	Frequency Hz	Sheave Diameter mm	Torque Nm	Ropes	Groove Angle	Roping	Shaft Load kg	Handle Wheel	Remote Release	Inertia kg m ²	Weight kg
WE 06-272-100(400)	272	1.0	1.8	4.4	95	23.8	400	181	4-Φ8-12	β=90° γ=30°	2:1	1500	N	Y	3.54	280
WE 06-272-150(400)		1.5	2.7		143	35.8										
WE 06-272-160(400)		1.6	2.9	7.5	153	38.3										
WE 06-272-175(400)		1.75	3.2		167	41.8										
WE 06-272-200(400)		2.0	3.6	8.7	191	47.7										
WE 06-320-100(400)	320	1.0	2.1	5.1	95	23.8	400	213	4-Φ8-12	β=90° γ=30°	2:1	1500	N	Y	3.54	280
WE 06-320-150(400)		1.5	3.2		143	35.8										
WE 06-320-160(400)		1.6	3.4	8.8	153	38.3										
WE 06-320-175(400)		1.75	3.7		167	41.8										
WE 06-320-200(400)		2.0	4.3	10.2	191	47.7										
WE 06-400-100(400)	400	1.0	2.7	6.4	95	23.8	400	266	4-Φ8-12	β=90° γ=30°	2:1	1500	N	Y	3.54	280
WE 06-400-150(400)		1.5	4.0		143	35.8										
WE 06-400-160(400)		1.6	4.3	11.0	153	38.3										
WE 06-400-175(400)		1.75	4.7		167	41.8										
WE 06-400-200(400)		2.0	5.3	12.7	191	47.7										
WE 06-450-100(400)	450	1.0	3.0	7.2	95	23.8	400	299	4-Φ8-12	β=90° γ=30°	2:1	1500	N	Y	3.54	280
WE 06-450-150(400)		1.5	4.5		143	35.8										
WE 06-450-160(400)		1.6	4.8	12.2	153	38.3										
WE 06-450-175(400)		1.75	5.2		167	41.8										
WE 06-450-200(400)		2.0	6.0	14.3	191	47.7										
WE 06-600-100(400)	600	1.0	4.2	10.0	95	23.8	400	419	5-Φ8-12	β=90° γ=30°	2:1	1500	N	Y	3.54	280
WE 06-600-150(400)		1.5	6.3		143	35.8										
WE 06-600-160(400)		1.6	6.7	17.0	153	38.3										
WE 06-600-175(400)		1.75	7.3		167	41.8										
WE 06-600-200(400)		2.0	8.4	20.0	191	47.7										
WE 06-630-100(400)	630	1.0	4.2	10.0	95	23.8	400	419	5-Φ8-12	β=90° γ=30°	2:1	1500	N	Y	3.54	280
WE 06-630-150(400)		1.5	6.3		143	35.8										
WE 06-630-160(400)		1.6	6.7	17.0	153	38.3										
WE 06-630-175(400)		1.75	7.3		167	41.8										
WE 06-630-200(400)		2.0	8.4	20.0	191	47.7										
WE 06-680-100(400)	680	1.0	4.2	10.0	95	23.8	400	419	5-Φ8-12	β=90° γ=30°	2:1	1500	N	Y	3.54	280
WE 06-680-150(400)		1.5	6.3		143	35.8										
WE 06-680-160(400)		1.6	6.7	17.0	153	38.3										
WE 06-680-175(400)		1.75	7.3		167	41.8										
WE 06-680-200(400)		2.0	8.4	20.0	191	47.7										

Notes:

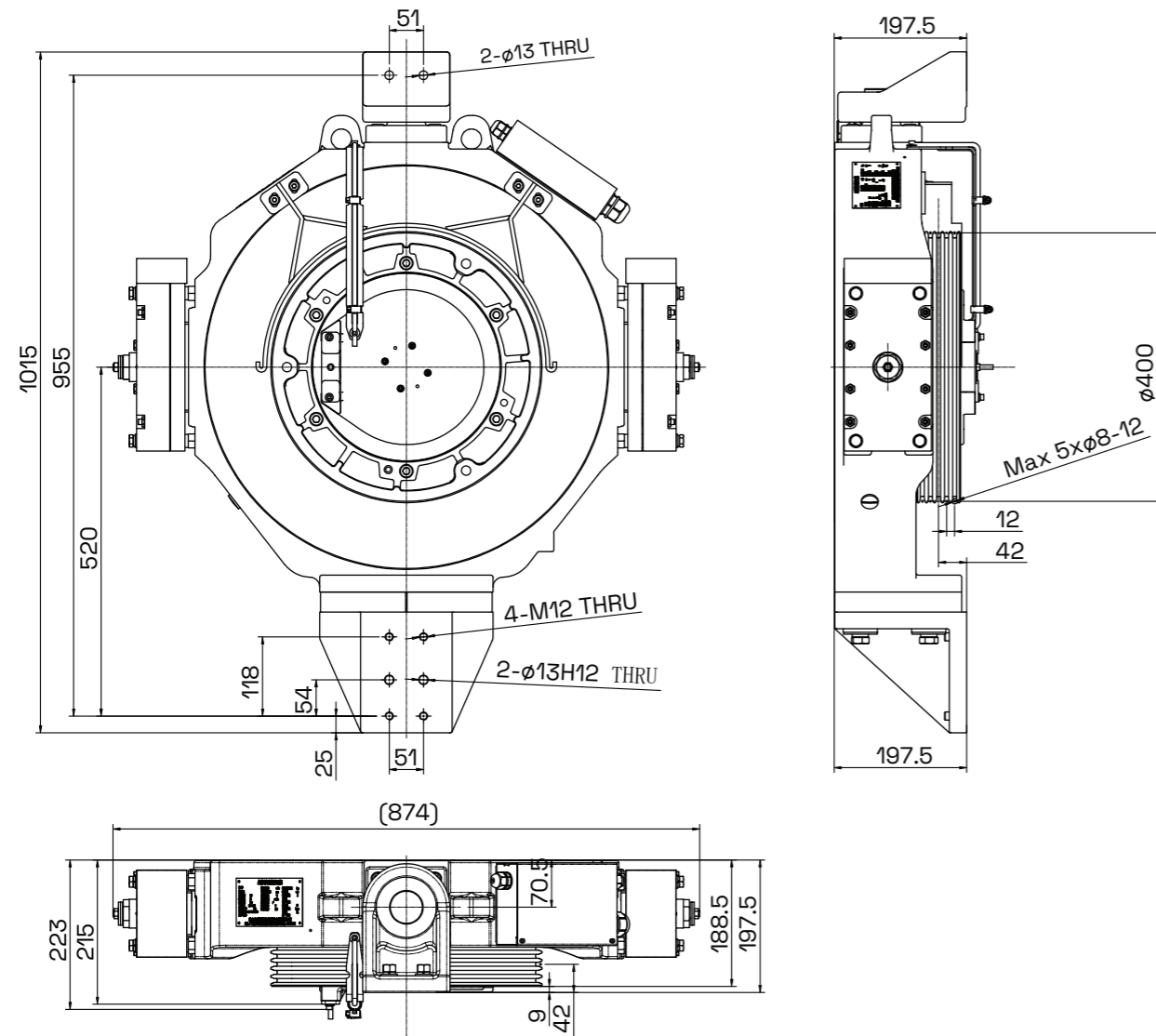
1. The brake picking/holding voltage is DC110V. Voltage switch is not necessary.
2. The balance ratio is 0.45~0.5.
3. Regen drive application, please consult with us, then order with notes.
4. Recommend to use Shenghao encoder, other encoders need to consult with us.

WE 06 (400mm SHEAVE)SERIES MACHINES



Capacity	272kg-680kg
Wrap	Single wrap
Rotor	External rotor
Undercut	U
Foot Pad Flatness	<0.5mm
Protection Rating	IP41
Insulation Class	F
Poles	30
Duty Cycle	S5-40%
Motor Rated Voltage	AC380V
Brake	Block
Picking/Holding Voltage	DC110V

Full-wave rectification power source for brake



Model	Capacity kg	Elevator Speed m/s	Rated Output kW	Rated Current A	Rated Speed rpm	Frequency Hz	Sheave Diameter mm	Torque Nm	Ropes	Groove Angle β=90° γ=30°	Roping	Shaft Load kg	Handle Wheel	Remote Release	Inertia kg m ²	Weight kg
WE 06-272-100(400)	272	1.0	1.8	4.4	95	23.8	400	181	4-φ8-12	β=90° γ=30°	2:1	1500	N	Y	3.54	310
WE 06-272-150(400)		1.5	2.7		143	35.8										
WE 06-272-160(400)		1.6	2.9	7.5	153	38.3										
WE 06-272-175(400)		1.75	3.2		167	41.8										
WE 06-272-200(400)		2.0	3.6	8.7	191	47.7										
WE 06-320-100(400)	320	1.0	2.1	5.1	95	23.8	400	213	4-φ8-12	β=90° γ=30°	2:1	1500	N	Y	3.54	310
WE 06-320-150(400)		1.5	3.2		143	35.8										
WE 06-320-160(400)		1.6	3.4	8.8	153	38.3										
WE 06-320-175(400)		1.75	3.7		167	41.8										
WE 06-320-200(400)		2.0	4.3	10.2	191	47.7										
WE 06-400-100(400)	400	1.0	2.7	6.4	95	23.8	400	266	4-φ8-12	β=90° γ=30°	2:1	1500	N	Y	3.54	310
WE 06-400-150(400)		1.5	4.0		143	35.8										
WE 06-400-160(400)		1.6	4.3	11.0	153	38.3										
WE 06-400-175(400)		1.75	4.7		167	41.8										
WE 06-400-200(400)		2.0	5.3	12.7	191	47.7										
WE 06-450-100(400)	450	1.0	3.0	7.2	95	23.8	400	299	4-φ8-12	β=90° γ=30°	2:1	1500	N	Y	3.54	310
WE 06-450-150(400)		1.5	4.5		143	35.8										
WE 06-450-160(400)		1.6	4.8	12.2	153	38.3										
WE 06-450-175(400)		1.75	5.2		167	41.8										
WE 06-450-200(400)		2.0	6.0	14.3	191	47.7										
WE 06-600-100(400)	600	1.0	4.2	10.0	95	23.8	400	419	5-φ8-12	β=90° γ=30°	2:1	1500	N	Y	3.54	310
WE 06-600-150(400)		1.5	6.3		143	35.8										
WE 06-600-160(400)		1.6	6.7	17.0	153	38.3										
WE 06-600-175(400)		1.75	7.3		167	41.8										
WE 06-600-200(400)		2.0	8.4	20.0	191	47.7										
WE 06-630-100(400)	630	1.0	4.2	10.0	95	23.8	400	419	5-φ8-12	β=90° γ=30°	2:1	1500	N	Y	3.54	310
WE 06-630-150(400)		1.5	6.3		143	35.8										
WE 06-630-160(400)		1.6	6.7	17.0	153	38.3										
WE 06-630-175(400)		1.75	7.3		167	41.8										
WE 06-630-200(400)		2.0	8.4	20.0	191	47.7										
WE 06-680-100(400)	680	1.0	4.2	10.0	95	23.8	400	419	5-φ8-12	β=90° γ=30°	2:1	1500	N	Y	3.54	310
WE 06-680-150(400)		1.5	6.3		143	35.8										
WE 06-680-160(400)		1.6	6.7	17.0	153	38.3										
WE 06-680-175(400)		1.75	7.3		167	41.8										
WE 06-680-200(400)		2.0	8.4	20.0	191	47.7										

Notes:

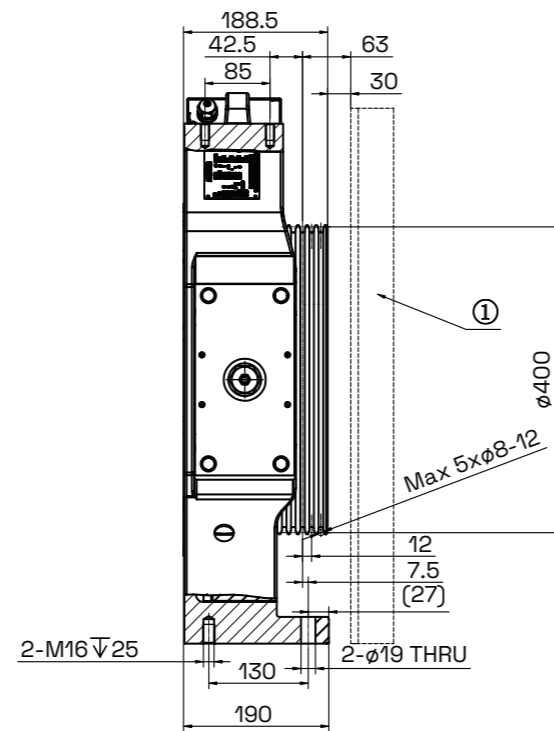
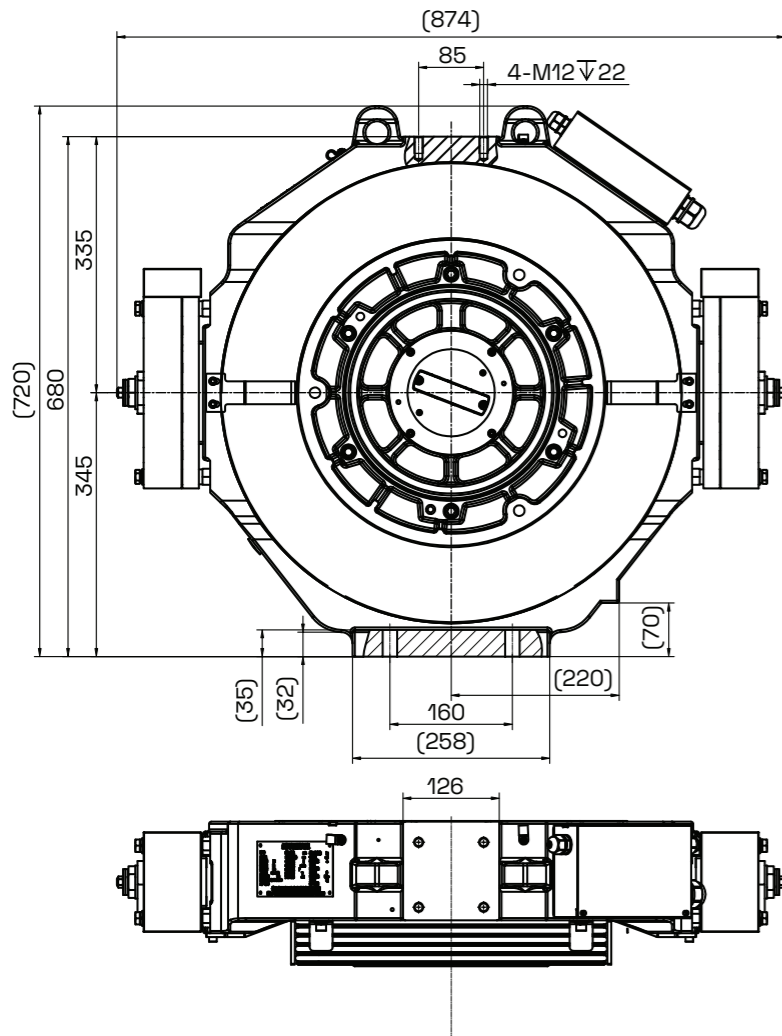
1. The brake picking/holding voltage is DC110V. Voltage switch is not necessary.
2. The balance ratio is 0.45~0.5.
3. Regen drive application, please consult with us, then order with notes.
4. Haidenhein AMO magnetic ring encoder is preferred.

WE 06 (400mm SHEAVE)SERIES MACHINES - ALTERNATIVE MARKETS



Capacity	272kg-680kg
Wrap	Single wrap
Rotor	External rotor
Undercut	U
Foot Pad Flatness	<0.5mm
Protection Rating	IP41
Insulation Class	F
Poles	30
Duty Cycle	S5-40%
Motor Rated Voltage	AC380V
Brake	Block
Picking/Holding Voltage	DC110V

Full-wave rectification power source for brake



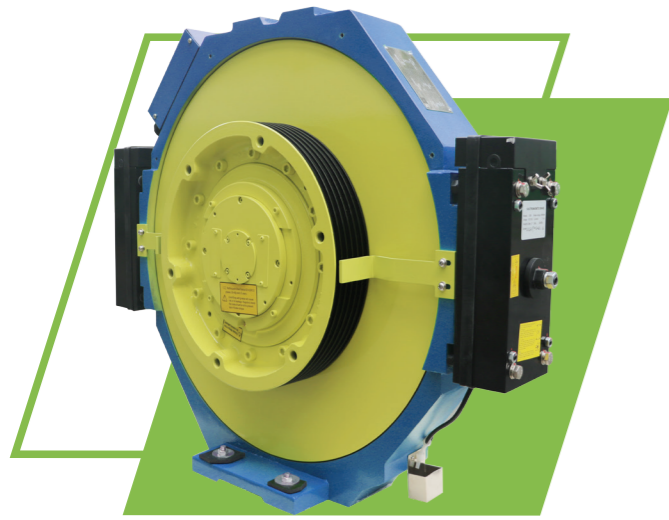
① Rails

Model	Capacity kg	Elevator Speed m/s	Rated Output kW	Rated Current A	Rated Speed rpm	Frequency Hz	Sheave Diameter mm	Torque Nm	Ropes	Groove Angle	Roping	Shaft Load kg	Handle Wheel	Remote Release	Inertia kg m ²	Weight kg
WE 06-272-100(400)	272	1.0	1.8	4.4	95	23.8	400	181	4-Φ8-12	β=90° γ=30°	2:1	1500	N	Y	3.54	280
WE 06-272-150(400)		1.5	2.7		143	35.8										
WE 06-272-160(400)		1.6	2.9	7.5	153	38.3										
WE 06-272-175(400)		1.75	3.2		167	41.8										
WE 06-272-200(400)		2.0	3.6	8.7	191	47.7										
WE 06-340-100(400)	340	1.0	2.3	5.5	95	23.8	400	226	4-Φ8-12	β=90° γ=30°	2:1	1500	N	Y	3.54	280
WE 06-340-150(400)		1.5	3.4		143	35.8										
WE 06-340-160(400)		1.6	3.6	9.5	153	38.3										
WE 06-340-175(400)		1.75	4.0		167	41.8										
WE 06-340-200(400)		2.0	4.5	11.0	191	47.7										
WE 06-408-100(400)	408	1.0	2.7	6.4	95	23.8	400	266	4-Φ8-12	β=90° γ=30°	2:1	1500	N	Y	3.54	280
WE 06-408-150(400)		1.5	4.0		143	35.8										
WE 06-408-160(400)		1.6	4.3	11.0	153	38.3										
WE 06-408-175(400)		1.75	4.6		167	41.8										
WE 06-408-200(400)		2.0	5.3	12.7	191	47.7										
WE 06-544-100(400)	544	1	3.6	9.0	95	23.8	400	362	5-Φ8-12	β=90° γ=30°	2:1	1500	N	Y	3.54	280
WE 06-544-150(400)		1.5	5.4		143	35.8										
WE 06-544-160(400)		1.6	5.8	15.0	153	38.3										
WE 06-544-175(400)		1.75	6.3		167	41.8										
WE 06-544-200(400)		2.0	7.2	18.0	191	47.7										
WE 06-680-100(400)	680	1.0	4.2	10.0	95	23.8	400	419	5-Φ8-12	β=90° γ=30°	2:1	1500	N	Y	3.54	280
WE 06-680-150(400)		1.5	6.3		143	35.8										
WE 06-680-160(400)		1.6	6.7	17.0	153	38.3										
WE 06-680-175(400)		1.75	7.3		167	41.8										
WE 06-680-200(400)		2.0	8.4	20.0	191	47.7										

Notes:

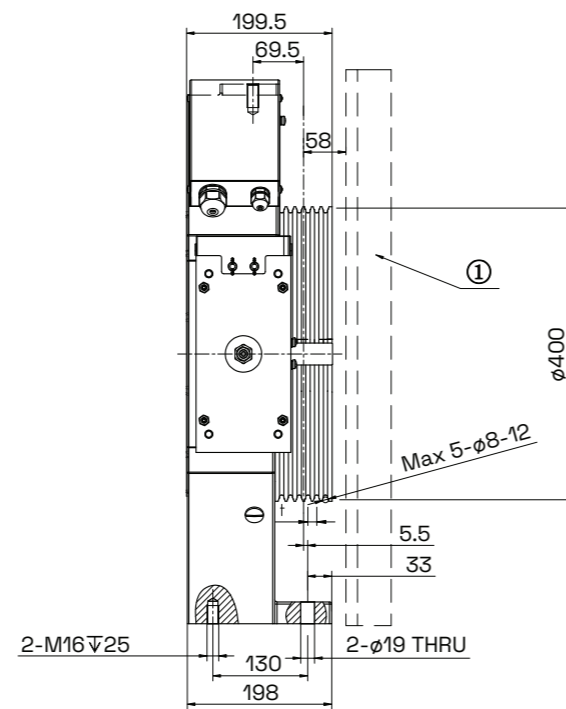
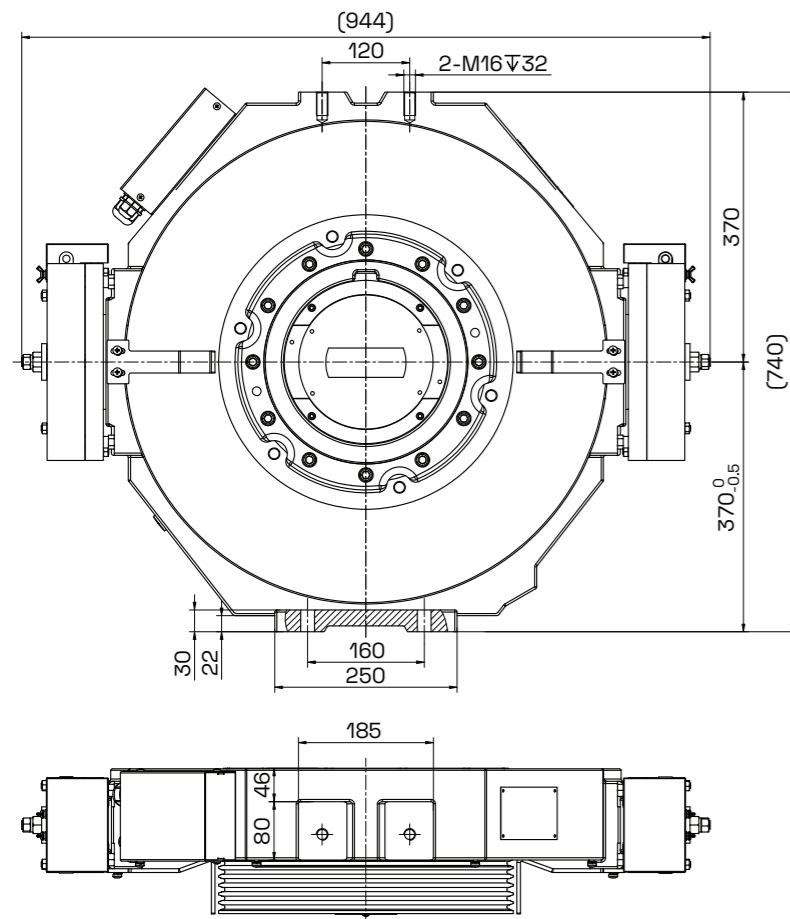
1. The brake picking/holding voltage is DC110V. Voltage switch is not necessary.
2. The balance ratio is 0.45~0.5.
3. Regen drive application, please consult with us, then order with notes.
4. Recommend to use Shenghao encoder, other encoders need to consult with us.
5. The rating table pertains to markets that establish a standard of 68 kilograms per person for the calculation of elevator capacity.

WJC-T (400mm SHEAVE)SERIES MACHINES



Capacity	630kg-1050kg
Wrap	Single wrap
Rotor	External rotor
Undercut	U
Foot Pad Flatness	<0.5mm
Protection Rating	IP41
Insulation Class	F
Poles	40
Duty Cycle	S5-40%
Motor Rated Voltage	AC380V
Brake	Block
Picking/Holding Voltage	DC110V

Full-wave rectification power source for brake



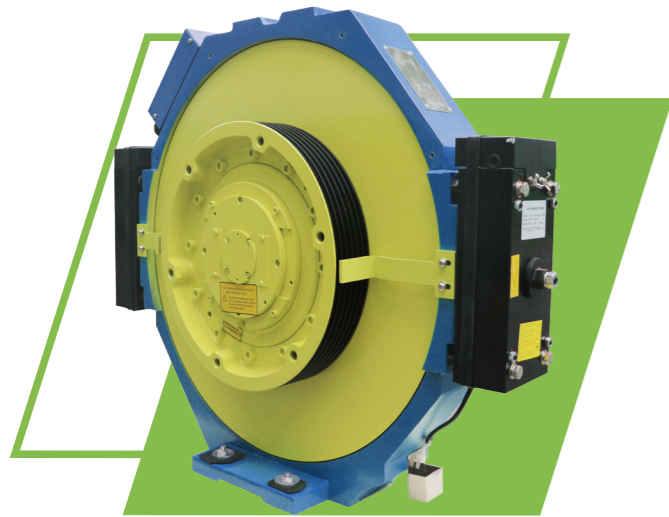
① Rails

Model	Capacity kg	Elevator Speed m/s	Rated Output kW	Rated Current A	Rated Speed rpm	Frequency Hz	Sheave Diameter mm	Torque Nm	Ropes	Groove Angle β=90° γ=30°	Roping	Shaft Load kg	Handle Wheel	Remote Release	Inertia kg m ²	Weight kg
WJC-630-100-T	630	1.0	4.2	11.0	95	31.8	400	419	5-φ8-12	β=90° γ=30°	2:1	3000	N	Y	5.15	330
WJC-630-150-T		1.5	6.3	18.0	143	47.7										
WJC-630-160-T		1.6	6.7		153	50.9										
WJC-630-175-T		1.75	7.3		167	55.7										
WJC-800-100-T	800	1.0	5.3		12.5	95	31.8	400	532	6-φ8-12	β=90° γ=30°	2:1	3000	N	Y	5.15
WJC-800-150-T		1.5	8.0	22.0	143	47.7										
WJC-800-160-T		1.6	8.5		153	50.9										
WJC-800-175-T		1.75	9.3		167	55.7										
WJC-1000-100-T	1000	1.0	6.4		15.0	95	31.8	400	640	6-φ8-12	β=90° γ=30°	2:1	3000	N	Y	5.15
WJC-1000-150-T		1.5	10.0	29.0	143	47.7										
WJC-1000-160-T		1.6	10.7		153	50.9										
WJC-1000-175-T		1.75	11.6		167	55.7										
WJC-1050-100-T	1050	1.0	6.4		15.0	95	31.8	400	640	6-φ8-12	β=90° γ=30°	2:1	3000	N	Y	5.15
WJC-1050-150-T		1.5	10.3	30.0	143	47.7										
WJC-1050-160-T		1.6	11.0		153	50.9										
WJC-1050-175-T		1.75	12.0		167	55.7										

Notes:

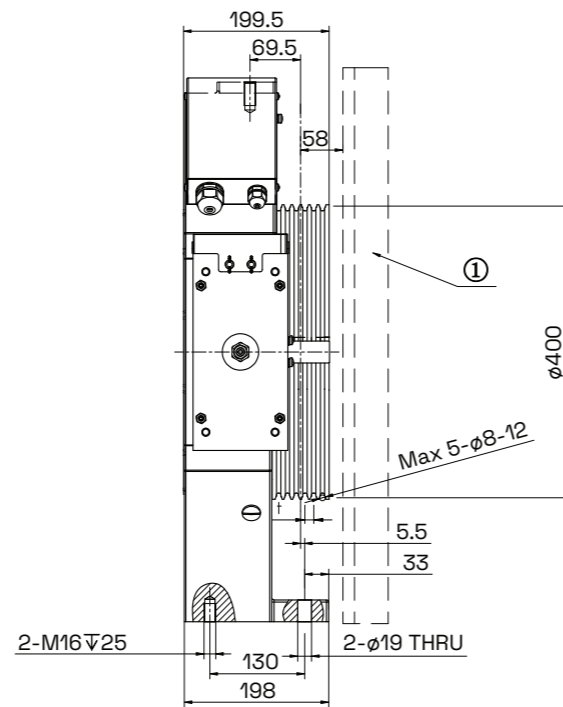
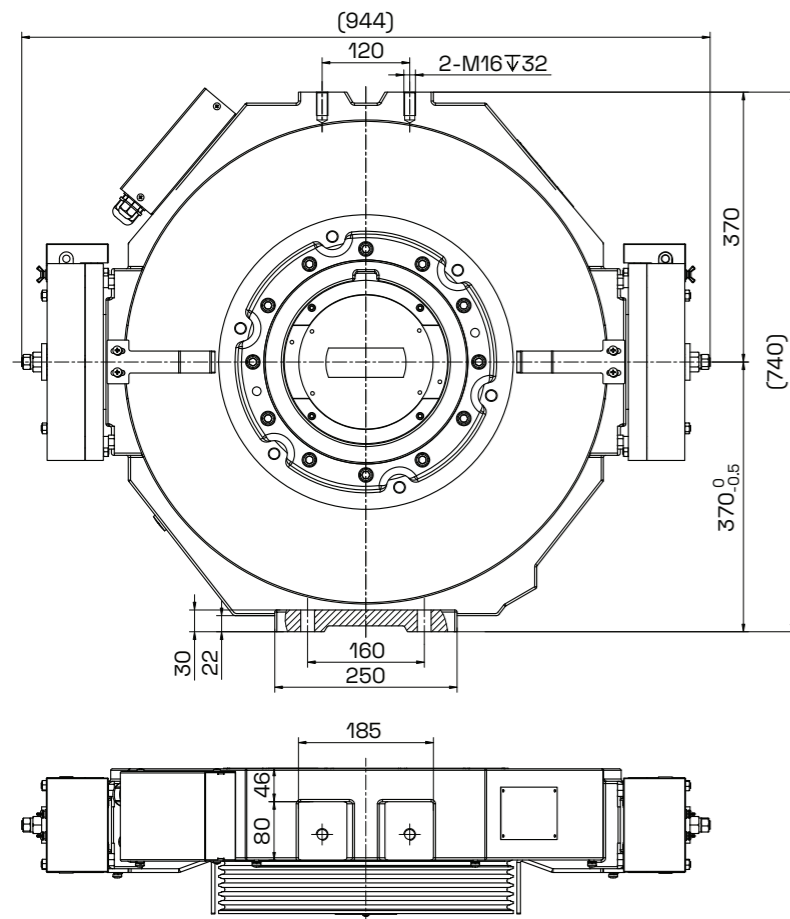
1. The brake picking/holding voltage is DC110V. Voltage switch is not necessary.
2. The balance ratio is 0.45~0.5.
3. Regen drive application, please consult with us, then order with notes.
4. Recommend to use Shenghao encoder or Tamagawa encoder, other encoders need to consult with us.

WJC-T (400mm SHEAVE)SERIES MACHINES - ALTERNATIVE MARKETS



Capacity	680kg-1088kg
Wrap	Single wrap
Rotor	External rotor
Undercut	U
Foot Pad Flatness	<0.5mm
Protection Rating	IP41
Insulation Class	F
Poles	40
Duty Cycle	S5-40%
Motor Rated Voltage	AC380V
Brake	Block
Picking/Holding Voltage	DC110V

Full-wave rectification power source for brake



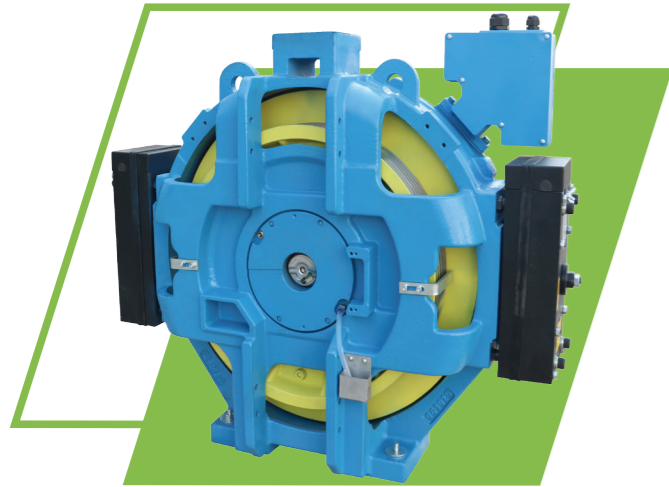
① Rails

Model	Capacity kg	Elevator Speed m/s	Rated Output kW	Rated Current A	Rated Speed rpm	Frequency Hz	Sheave Diameter mm	Torque Nm	Ropes	Groove Angle	Roping	Shaft Load kg	Handle Wheel	Remote Release	Inertia kg m ²	Weight kg
WJC-680-100-T	680	1.0	4.2	11.0	95	31.8	400	419	5-φ8-12	β=90° γ=30°	2:1	3000	N	Y	5.15	330
WJC-680-125-T		1.25	5.2	13.0	119	39.8										
WJC-680-150-T		1.5	6.3	18.0	143	47.7										
WJC-680-160-T		1.6	6.7		153	50.9										
WJC-680-175-T		1.75	7.3		167	55.7										
WJC-884-100-T	884	1.0	5.3	12.5	95	31.8	400	532	6-φ8-12	β=90° γ=30°	2:1	3000	N	Y	5.15	335
WJC-884-125-T		1.25	6.7	16.0	119	39.8										
WJC-884-150-T		1.5	8.0	22.0	143	47.7										
WJC-884-160-T		1.6	8.5		153	50.9										
WJC-884-175-T		1.75	9.3		167	55.7										
WJC-1088-100-T	1088	1.0	6.4	15.0	95	31.8	400	640	6-φ8-12	β=90° γ=30°	2:1	3000	N	Y	5.15	335
WJC-1088-125-T		1.25	8.6	22.0	119	39.8		686								
WJC-1088-150-T		1.5	10.3	30.0	143	47.7										
WJC-1088-160-T		1.6	11.0		153	50.9										
WJC-1088-175-T		1.75	12.0		167	55.7										

Notes:

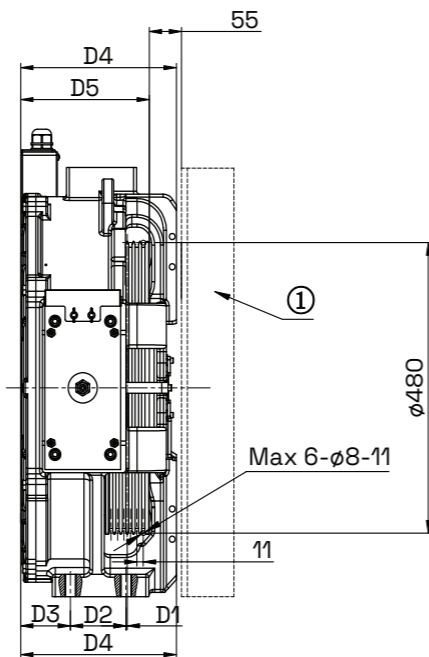
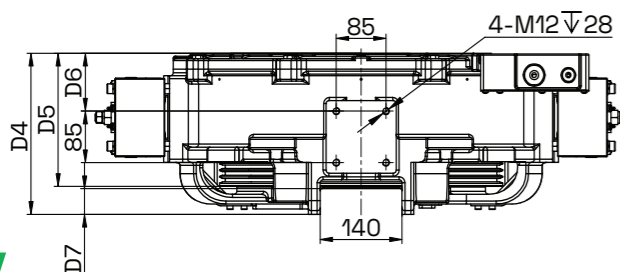
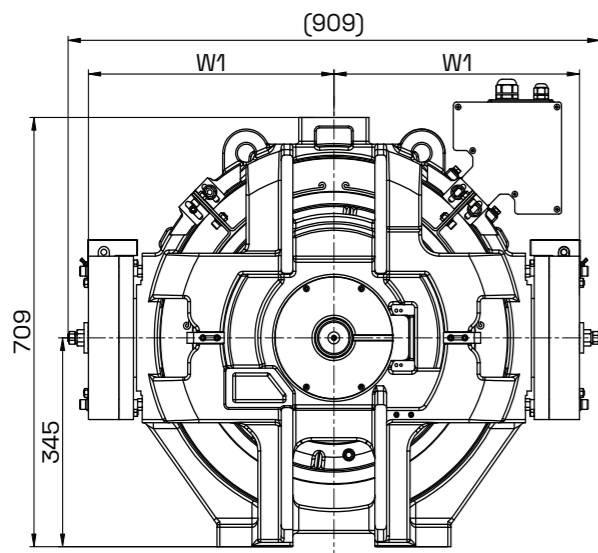
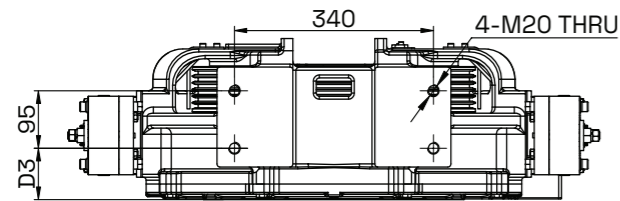
1. The brake picking/holding voltage is DC110V. Voltage switch is not necessary.
2. The balance ratio is 0.45~0.5.
3. Regen drive application, please consult with us, then order with notes.
4. Recommend to use Shenghao encoder or Tamagawa encoder, other encoders need to consult with us.
5. The rating table pertains to markets that establish a standard of 68 kilograms per person for the calculation of elevator capacity.

WE 10 (480mm SHEAVE)SERIES MACHINES



Capacity	630kg-1150kg
Wrap	Single wrap
Rotor	External rotor
Undercut	U
Foot Pad Flatness	<0.5mm
Protection Rating	IP41
Insulation Class	F
Poles	30
Duty Cycle	S5-40%
Motor Rated Voltage	AC380V
Brake	Block
Picking/Holding Voltage	DC110V

Full-wave rectification power source for brake



① Rails

Model	Capacity kg	Elevator Speed m/s	Rated Output kW	Rated Current A	Rated Speed rpm	Frequency Hz	Sheave Diameter mm	Torque Nm	Ropes	Groove Angle $\beta=90^\circ$ $\gamma=30^\circ$	Roping	Shaft Load kg	Handle Wheel	Remote Release	Inertia kg m ²	Weight kg
WE 10-630-100	630	1.0	4.0	10.0	80	20.0	480	479	5-φ8-11	$\beta=90^\circ$ $\gamma=30^\circ$	2:1	3000	N	Y	5.4	361
WE 10-630-150		1.5	6.0		119	29.8										
WE 10-630-160		1.6	6.4	17.0	127	31.8										
WE 10-630-175		1.75	7.0		139	34.8										
WE 10-630-200		2.0	8.0	24.0	159	39.8										
WE 10-630-250		2.5	10.0		199	49.8										
WE 10-800-100	800	1.0	5.1	12.0	80	20.0	480	609	6-φ8-11	$\beta=90^\circ$ $\gamma=30^\circ$	2:1	3000	N	Y	5.4	361
WE 10-800-150		1.5	7.6		119	29.8										
WE 10-800-160		1.6	8.1	21.0	127	31.8										
WE 10-800-175		1.75	8.9		139	34.8										
WE 10-800-200		2.0	10.2	30.0	159	39.8										
WE 10-800-250		2.5	12.7		199	49.8										
WE 10-1000-100	1000	1.0	6.0	14.0	80	20.0	480	722	6-φ8-11	$\beta=90^\circ$ $\gamma=30^\circ$	2:1	3000	N	Y	5.4	361
WE 10-1000-150		1.5	9.0		119	29.8										
WE 10-1000-160		1.6	9.6	24.0	127	31.8										
WE 10-1000-175		1.75	10.5		139	34.8										
WE 10-1000-200		2.0	12.0	35.0	159	39.8										
WE 10-1000-250		2.5	15.0		199	49.8										
WE 10-1050-100	1050	1.0	6.3	15.0	80	20.0	480	756	6-φ8-11	$\beta=90^\circ$ $\gamma=30^\circ$	2:1	3000	N	Y	5.4	361
WE 10-1050-150		1.5	9.5		119	29.8										
WE 10-1050-160		1.6	10.1	26.0	127	31.8										
WE 10-1050-175		1.75	11.0		139	34.8										
WE 10-1050-200		2.0	12.6	37.0	159	39.8										
WE 10-1050-250		2.5	15.8		199	49.8										
WE 10-1150-100	1150	1.0	7.3	17.0	80	20.0	480	875	6-φ8-11	$\beta=90^\circ$ $\gamma=30^\circ$	2:1	3000	N	Y	5.8	385
WE 10-1150-150		1.5	10.9		119	29.8										
WE 10-1150-160		1.6	11.7	30.0	127	31.8										
WE 10-1150-175		1.75	12.8		139	34.8										

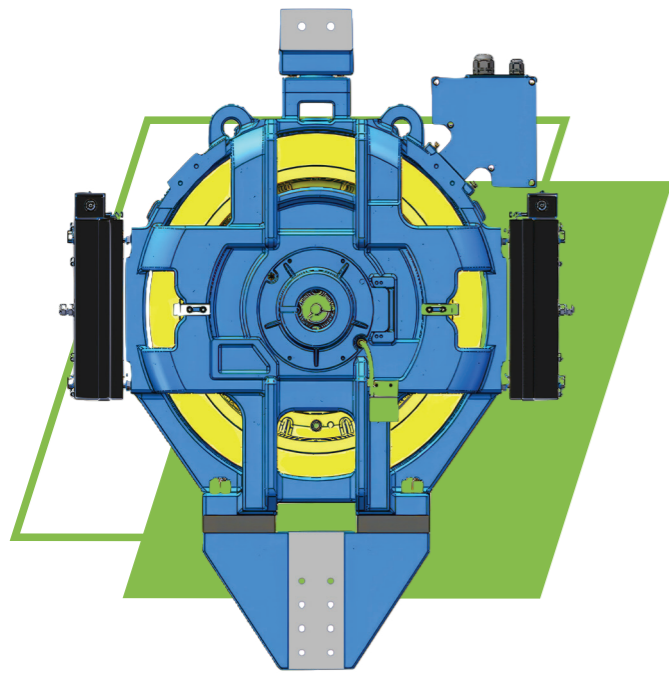
Notes:

1. The brake picking/holding voltage is DC110V. Voltage switch is not necessary.
2. The balance ratio is 0.45~0.5.
3. Regen drive application, please consult with us, then order with notes.
4. Recommend to use Heidenhain encoder, other encoders need to consult with us.

OUTLINE DRAWING DIMENSIONS

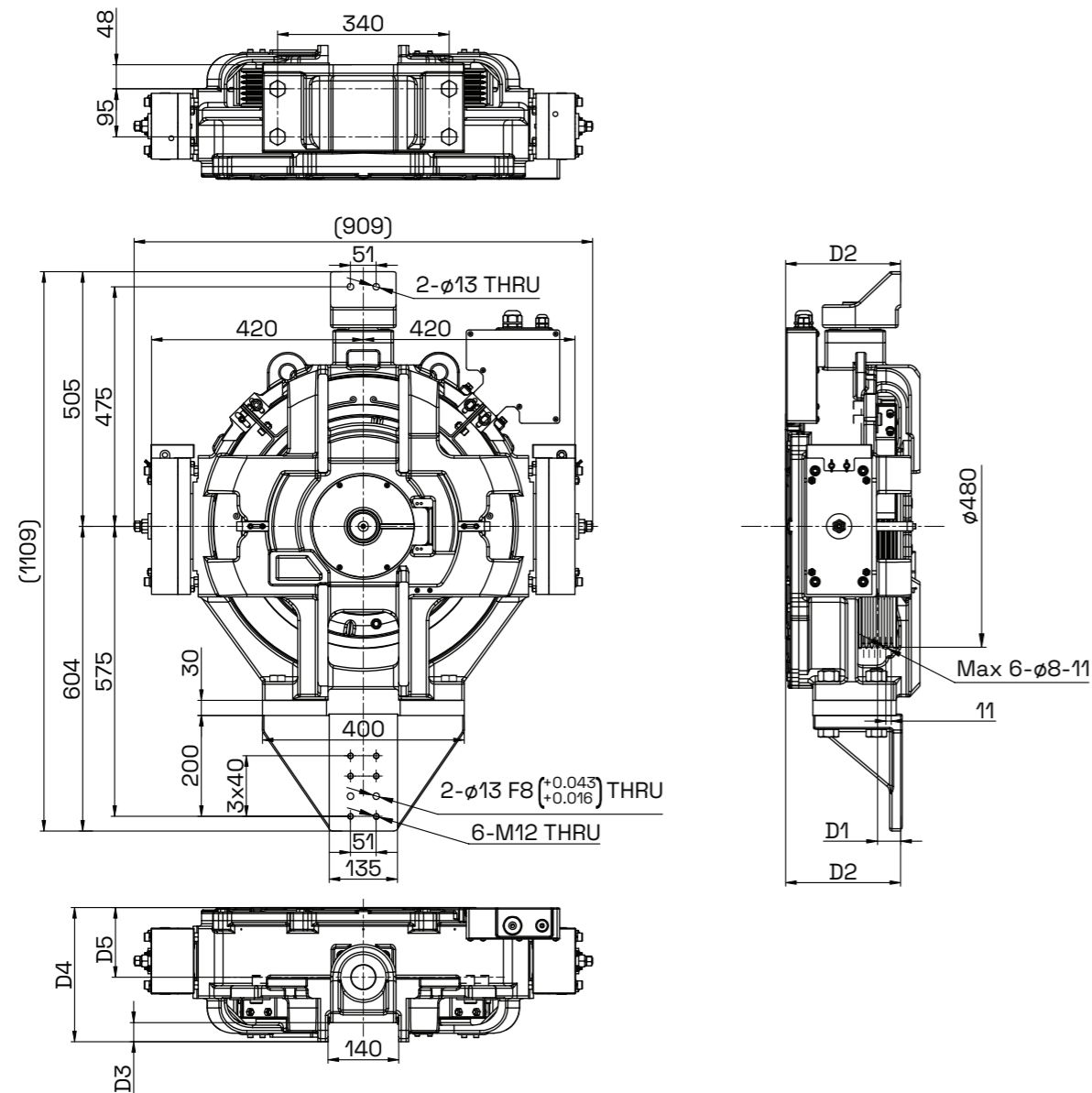
Capacity (kg)	Elevator Speed (m/s)	D1	D2	D3	D4	D5	D6	D7	W1	W2
630-800	1.0-2.5	2	95	85	266	219.75	95.5	42.5	420	420
	1.0-1.75									
1000-1050	2.0-2.5			97	278	231.75	107.5		427	427
1150	1.0-1.75									

WE 10 (480mm SHEAVE)SERIES MACHINES



Capacity	630kg-1150kg
Wrap	Single wrap
Rotor	External rotor
Undercut	U
Foot Pad Flatness	<0.5mm
Protection Rating	IP41
Insulation Class	F
Poles	30
Duty Cycle	S5-40%
Motor Rated Voltage	AC380V
Brake	Block
Picking/Holding Voltage	DC110V

Full-wave rectification power source for brake



Model	Capacity kg	Elevator Speed m/s	Rated Output kW	Rated Current A	Rated Speed rpm	Frequency Hz	Sheave Diameter mm	Torque Nm	Ropes	Groove Angle $\beta=90^\circ$ $\gamma=30^\circ$	Roping	Shaft Load kg	Handle Wheel	Remote Release	Inertia kg m ²	Weight kg
WE 10-630-100	630	1.0	4.0	10.0	80	20.0	480	479	5-ø8-11	$\beta=90^\circ$ $\gamma=30^\circ$	2:1	3000	N	Y	5.4	426
WE 10-630-150		1.5	6.0		119	29.8										
WE 10-630-160		1.6	6.4	17.0	127	31.8										
WE 10-630-175		1.75	7.0		139	34.8										
WE 10-630-200		2.0	8.0	24.0	159	39.8										
WE 10-630-250		2.5	10.0		199	49.8										
WE 10-800-100	800	1.0	5.1	12.0	80	20.0	480	609	6-ø8-11	$\beta=90^\circ$ $\gamma=30^\circ$	2:1	3000	N	Y	5.4	426
WE 10-800-150		1.5	7.6		119	29.8										
WE 10-800-160		1.6	8.1	21.0	127	31.8										
WE 10-800-175		1.75	8.9		139	34.8										
WE 10-800-200		2.0	10.2	30.0	159	39.8										
WE 10-800-250		2.5	12.7		199	49.8										
WE 10-1000-100	1000	1.0	6.0	14.0	80	20.0	480	722	6-ø8-11	$\beta=90^\circ$ $\gamma=30^\circ$	2:1	3000	N	Y	5.4	426
WE 10-1000-150		1.5	9.0		119	29.8										
WE 10-1000-160		1.6	9.6	24.0	127	31.8										
WE 10-1000-175		1.75	10.5		139	34.8										
WE 10-1000-200		2.0	12.0	35.0	159	39.8										
WE 10-1000-250		2.5	15.0		199	49.8										
WE 10-1050-100	1050	1.0	6.3	15.0	80	20.0	480	756	6-ø8-11	$\beta=90^\circ$ $\gamma=30^\circ$	2:1	3000	N	Y	5.4	426
WE 10-1050-150		1.5	9.5		119	29.8										
WE 10-1050-160		1.6	10.1	26.0	127	31.8										
WE 10-1050-175		1.75	11.0		139	34.8										
WE 10-1050-200		2.0	12.6	37.0	159	39.8										
WE 10-1050-250		2.5	15.8		199	49.8										
WE 10-1150-100	1150	1.0	7.3	17.0	80	20.0	480	875	6-ø8-11	$\beta=90^\circ$ $\gamma=30^\circ$	2:1	3000	N	Y	5.8	450
WE 10-1150-150		1.5	10.9		119	29.8										
WE 10-1150-160		1.6	11.7	30.0	127	31.8										
WE 10-1150-175		1.75	12.8		139	34.8										

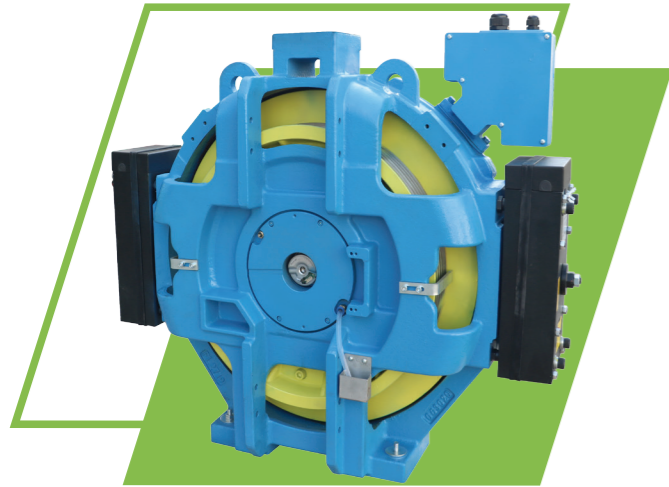
Notes:

1. The brake picking/holding voltage is DC110V. Voltage switch is not necessary.
2. The balance ratio is 0.45~0.5.
3. Regen drive application, please consult with us, then order with notes.

OUTLINE DRAWING DIMENSIONS

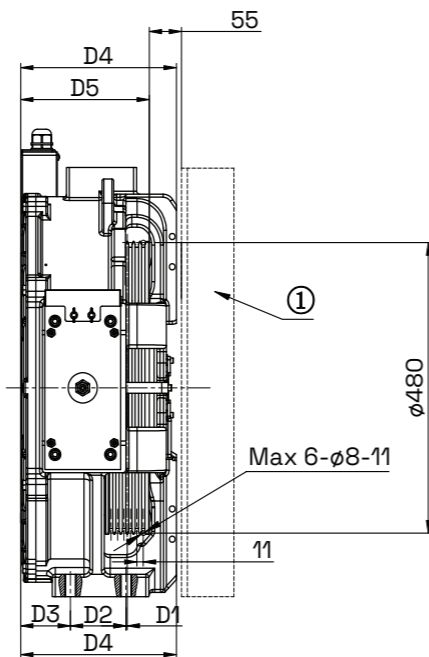
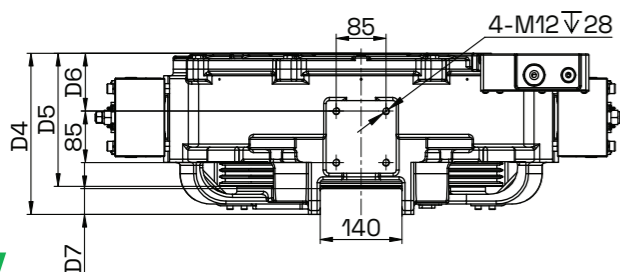
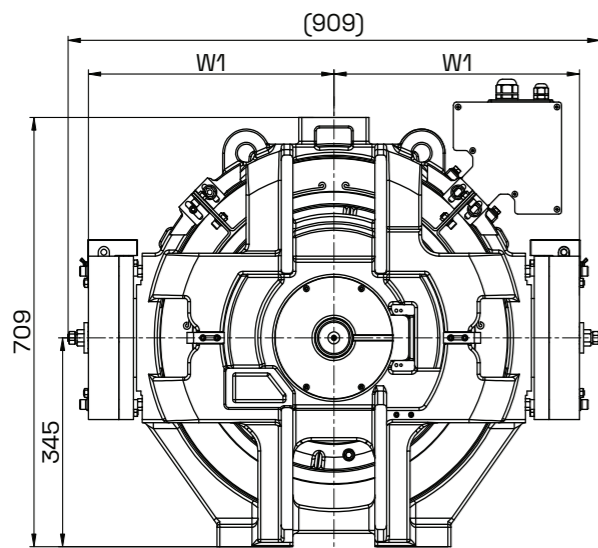
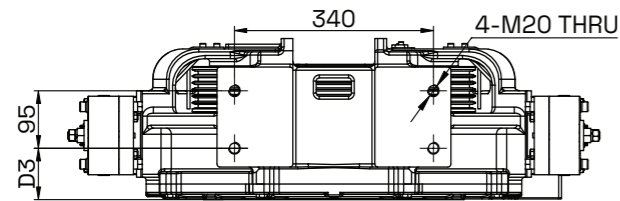
Capacity (kg)	Elevator Speed (m/s)	D1	D2	D3	D4	D5	W1	W2
630-800	1.0~2.5	46	228	38	266	138	420	420
	1.0-1.75							
1000-1050	2.0~2.5		240		278	150	427	427
	1.0-1.75							

WE 10 (480mm SHEAVE)SERIES MACHINES - ALTERNATIVE MARKETS



Capacity	680kg-1150kg
Wrap	Single wrap
Rotor	External rotor
Undercut	U
Foot Pad Flatness	<0.5mm
Protection Rating	IP41
Insulation Class	F
Poles	30
Duty Cycle	S5-40%
Motor Rated Voltage	AC380V
Brake	Block
Picking/Holding Voltage	DC110V

Full-wave rectification power source for brake



① Rails

Model	Capacity kg	Elevator Speed m/s	Rated Output kW	Rated Current A	Rated Speed rpm	Frequency Hz	Sheave Diameter mm	Torque Nm	Ropes	Groove Angle $\beta=90^\circ$ $\gamma=30^\circ$	Roping	Shaft Load kg	Handle Wheel	Remote Release	Inertia kg m ²	Weight kg
WE 10-680-100	680	1.0	4.0	10.0	80	20.0	480	479	5-ø8-11	$\beta=90^\circ$ $\gamma=30^\circ$	2:1	3000	N	Y	5.4	361
WE 10-680-150		1.5	6.0	17.0	119	29.8										
WE 10-680-160		1.6	6.4		127	31.8										
WE 10-680-175		1.75	7.0	24.0	139	34.8										
WE 10-680-200		2.0	8.0		159	39.8										
WE 10-680-250		2.5	10.0		199	49.8										
WE 10-884-100	884	1.0	5.1	12.0	80	20.0	480	609	6-ø8-11	$\beta=90^\circ$ $\gamma=30^\circ$	2:1	3000	N	Y	5.4	361
WE 10-884-150		1.5	7.6	21.0	119	29.8										
WE 10-884-160		1.6	8.1		127	31.8										
WE 10-884-175		1.75	8.9	30.0	139	34.8										
WE 10-884-200		2.0	10.2		159	39.8										
WE 10-884-250		2.5	12.7		199	49.8										
WE 10-1088-100	1088	1.0	6.3	15.0	80	20.0	480	756	6-ø8-11	$\beta=90^\circ$ $\gamma=30^\circ$	2:1	3000	N	Y	5.4	361
WE 10-1088-150		1.5	9.5	26.0	119	29.8										
WE 10-1088-160		1.6	10.1		127	31.8										
WE 10-1088-175		1.75	11.0	37.0	139	34.8										
WE 10-1088-200		2.0	12.6		159	39.8										
WE 10-1088-250		2.5	15.8		199	49.8										
WE 10-1150-100	1150	1.0	7.3	17.0	80	20.0	480	875	6-ø8-11	$\beta=90^\circ$ $\gamma=30^\circ$	2:1	3000	N	Y	5.8	450
WE 10-1150-150		1.5	10.9	30.0	119	29.8										
WE 10-1150-160		1.6	11.7		127	31.8										
WE 10-1150-175		1.75	12.8	139	34.8											

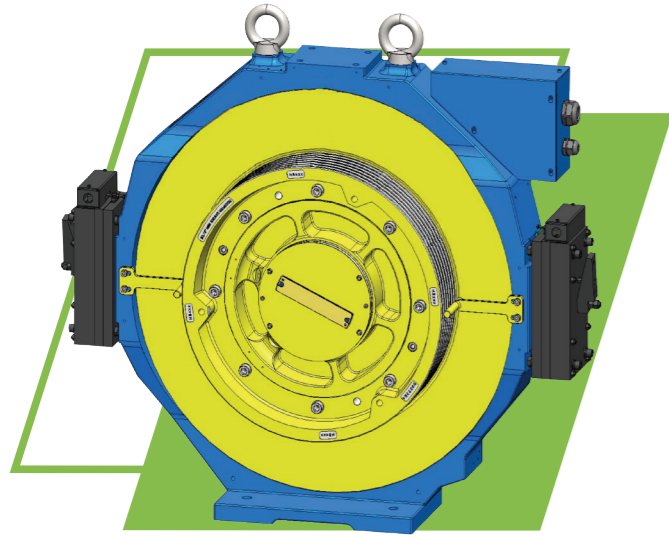
Notes:

1. The brake picking/holding voltage is DC110V. Voltage switch is not necessary.
2. The balance ratio is 0.45~0.5.
3. Regen drive application, please consult with us, then order with notes.
4. Recommend to use Heidenhain encoder, other encoders need to consult with us.
5. The rating table pertains to markets that establish a standard of 68 kilograms per person for the calculation of elevator capacity.

OUTLINE DRAWING DIMENSIONS

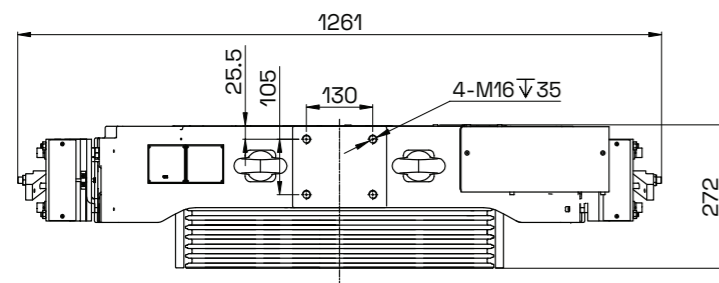
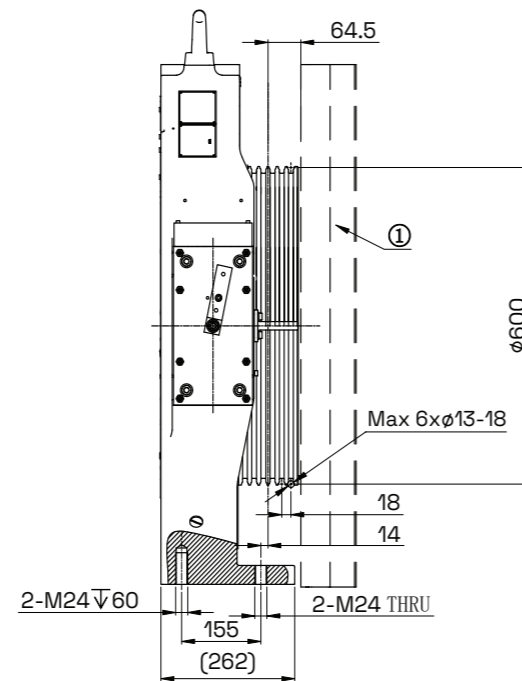
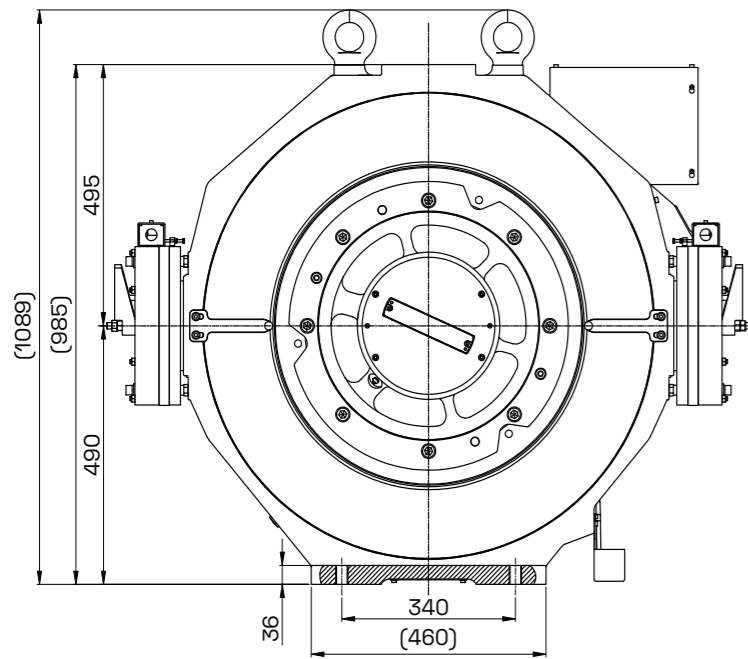
Capacity (kg)	Elevator Speed (m/s)	D1	D2	D3	D4	D5	D6	D7	W1	W2
680-884	1.0-2.5	2	95	85	266	219.75	95.5	42.5	420	420
1088	1.0-1.75			97	278	231.75	107.5			
1150	2.0-2.5			97	278	231.75	107.5			
	1.0-1.75								427	427

WE 20 SERIES MACHINES



Capacity	1350kg-2000kg
Wrap	Single wrap
Rotor	External rotor
Undercut	U
Foot Pad Flatness	<0.5mm
Protection Rating	IP41
Insulation Class	F
Poles	30
Duty Cycle	S5-40%
Motor Rated Voltage	AC380V
Brake	Block
Picking/Holding Voltage	DC110V

Full-wave rectification power source for brake



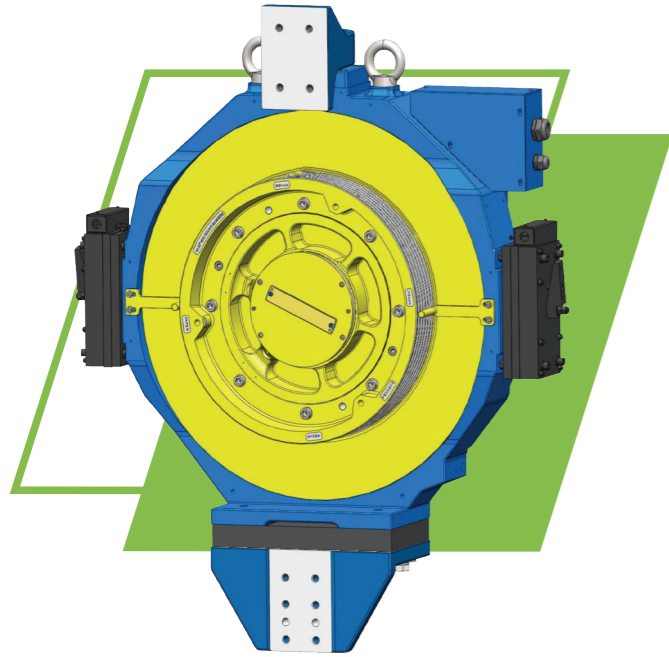
① Rails

Model	Capacity kg	Elevator Speed m/s	Rated Output kW	Rated Current A	Rated Speed rpm	Frequency Hz	Sheave Diameter mm	Torque Nm	Ropes 6-Φ13-18	Groove Angle β=95° γ=30°	Roping 2:1	Shaft Load kg	Handle Wheel N	Remote Release Y	Inertia kg m ²	Weight kg
WE 20-1350-100	1350	1.0	9.0	22.0	64	21.2	600	1347	6-Φ13-18	β=95° γ=30°	2:1	5000	N	Y	24.6	825
WE 20-1350-150		1.5	13.5		95	31.8										
WE 20-1350-160		1.6	14.4	38.0	102	34.0										
WE 20-1350-175		1.75	15.7		111	37.1										
WE 20-1350-200		2.0	18.0	42.0	127	42.4										
WE 20-1350-250		2.5	22.4	51.0	159	53.1										
WE 20-1600-100	1600	1.0	10.6	26.0	64	21.2	600	1596	6-Φ13-18	β=95° γ=30°	2:1	5000	N	Y	24.6	825
WE 20-1600-150		1.5	16.0		95	31.8										
WE 20-1600-160		1.6	17.0	44.0	102	34.0										
WE 20-1600-175		1.75	18.6		111	37.1										
WE 20-1600-200		2.0	21.3	49.0	127	42.4										
WE 20-1600-250		2.5	26.6	60.0	159	53.1										
WE 20-1800-100	1800	1.0	12.0	28.5	64	21.2	600	1796	6-Φ13-18	β=95° γ=30°	2:1	5000	N	Y	24.6	825
WE 20-1800-150		1.5	18.0		95	31.8										
WE 20-1800-160		1.6	19.2	48.0	102	34.0										
WE 20-1800-175		1.75	21.0		111	37.1										
WE 20-1800-200		2.0	23.9	54.0	127	42.4										
WE 20-1800-250		2.5	29.9	65.0	159	53.1										
WE 20-2000-100	2000	1.0	13.3	33.0	64	21.2	600	1995	6-Φ13-18	β=95° γ=30°	2:1	5000	N	Y	24.8	835
WE 20-2000-150		1.5	20.0		95	31.8										
WE 20-2000-160		1.6	21.3	55.0	102	34.0										
WE 20-2000-175		1.75	23.3		111	37.1										
WE 20-2000-200		2.0	26.6	59.0	127	42.4										
WE 20-2000-250		2.5	33.3	73.0	159	53.1										

Notes:

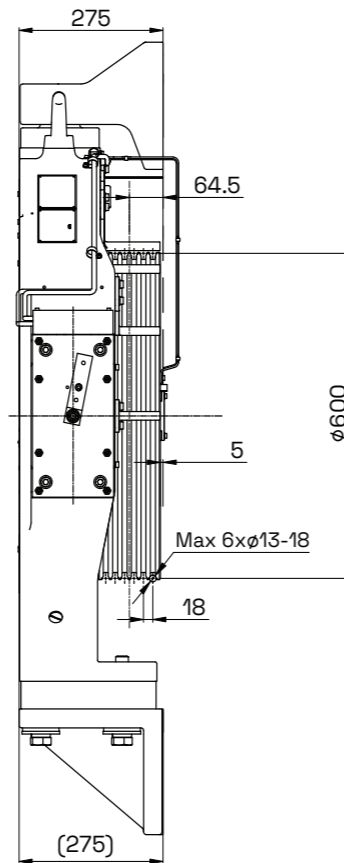
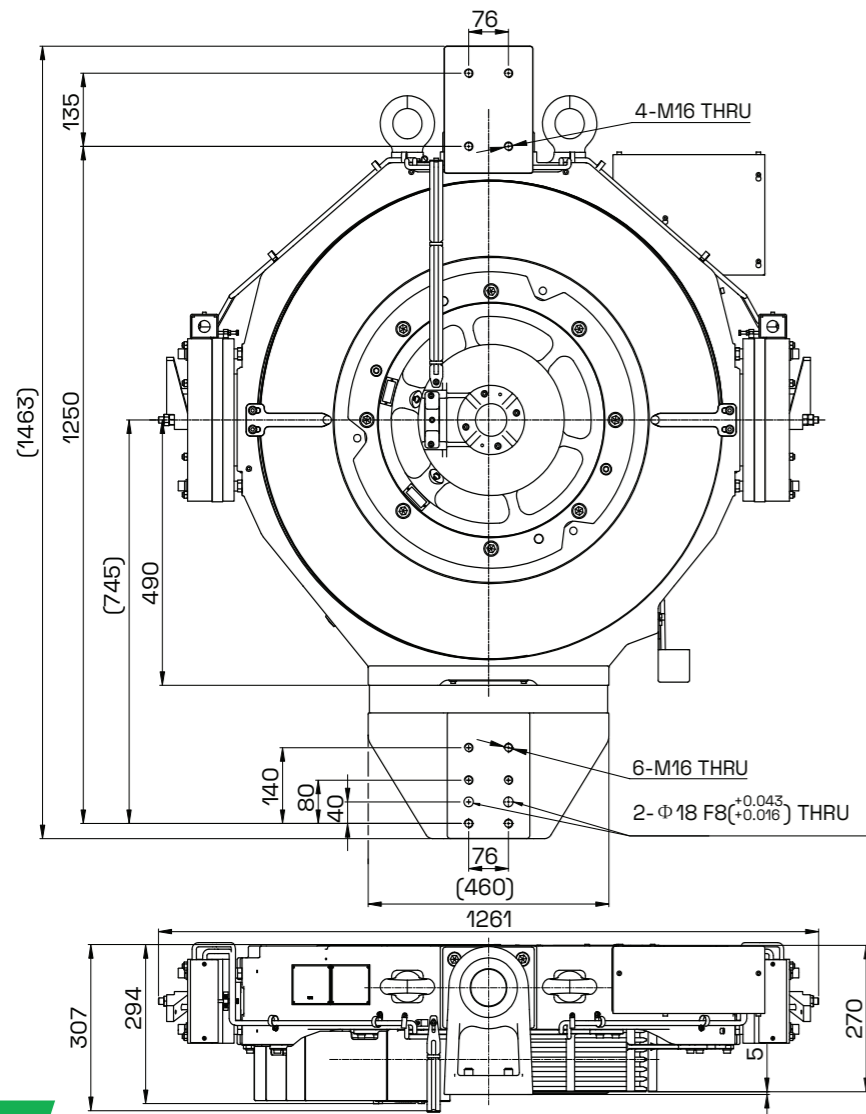
1. The brake picking/holding voltage is DC110V. Voltage switch is not necessary.
2. The balance ratio is 0.45~0.5.
3. Regen drive application, please consult with us, then order with notes.
4. Recommend to use Shenghao encoder or Tamagawa encoder, other encoders need to consult with us.

WE 20 SERIES MACHINES



Capacity	1350kg-2000kg
Wrap	Single wrap
Rotor	External rotor
Undercut	U
Foot Pad Flatness	<0.5mm
Protection Rating	IP41
Insulation Class	F
Poles	30
Duty Cycle	S5-40%
Motor Rated Voltage	AC380V
Brake	Block
Picking/Holding Voltage	DC110V

Full-wave rectification power source for brake

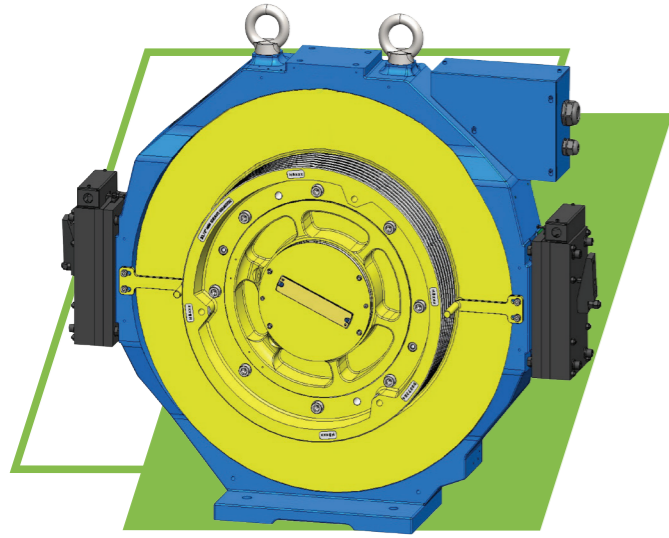


Model	Capacity kg	Elevator Speed m/s	Rated Output kW	Rated Current A	Rated Speed rpm	Frequency Hz	Sheave Diameter mm	Torque Nm	Ropes	Groove Angle	Roping	Shaft Load kg	Handle Wheel	Remote Release	Inertia kg m ²	Weight kg
WE 20-1350-100	1350	1.0	9.0	22.0	64	21.2	600	1347	6-Φ13-18	β=95° γ=30°	2:1	5000	N	Y	24.6	920
WE 20-1350-150		1.5	13.5		95	31.8										
WE 20-1350-160		1.6	14.4	38.0	102	34.0										
WE 20-1350-175		1.75	15.7		111	37.1										
WE 20-1350-200		2.0	18.0	42.0	127	42.4										
WE 20-1350-250		2.5	22.4	51.0	159	53.1										
WE 20-1600-100	1600	1.0	10.6	26.0	64	21.2	600	1596	6-Φ13-18	β=95° γ=30°	2:1	5000	N	Y	24.6	920
WE 20-1600-150		1.5	16.0		95	31.8										
WE 20-1600-160		1.6	17.0	44.0	102	34.0										
WE 20-1600-175		1.75	18.6		111	37.1										
WE 20-1600-200		2.0	21.3	49.0	127	42.4										
WE 20-1600-250		2.5	26.6	60.0	159	53.1										
WE 20-1800-100	1800	1.0	12.0	28.5	64	21.2	600	1796	6-Φ13-18	β=95° γ=30°	2:1	5000	N	Y	24.6	920
WE 20-1800-150		1.5	18.0		95	31.8										
WE 20-1800-160		1.6	19.2	48.0	102	34.0										
WE 20-1800-175		1.75	21.0		111	37.1										
WE 20-1800-200		2.0	23.9	54.0	127	42.4										
WE 20-1800-250		2.5	29.9	65.0	159	53.1										
WE 20-2000-100	2000	1.0	13.3	33.0	64	21.2	600	1995	6-Φ13-18	β=95° γ=30°	2:1	5000	N	Y	24.8	935
WE 20-2000-150		1.5	20.0		95	31.8										
WE 20-2000-160		1.6	21.3	55.0	102	34.0										
WE 20-2000-175		1.75	23.3		111	37.1										
WE 20-2000-200		2.0	26.6	59.0	127	42.4										
WE 20-2000-250		2.5	33.3	73.0	159	53.1										

Notes:

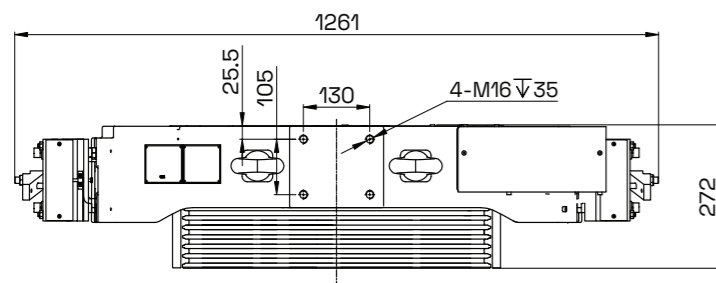
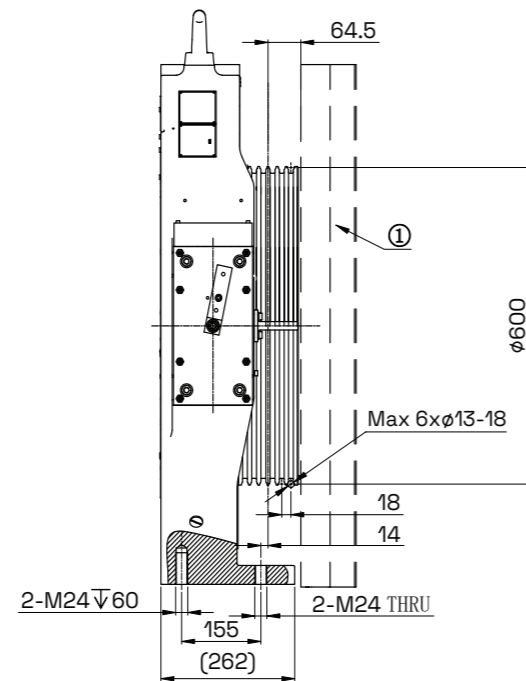
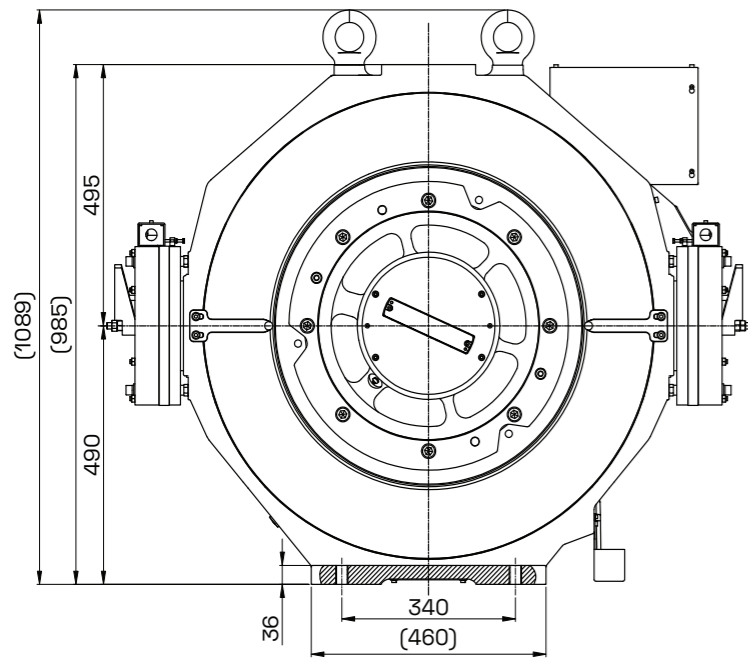
1. The brake picking/holding voltage is DC110V. Voltage switch is not necessary.
2. The balance ratio is 0.45~0.5.
3. Regen drive application, please consult with us, then order with notes.
4. Haidenheim AMO magnetic ring encoder is preferred.

WE 20 SERIES MACHINES - ALTERNATIVE MARKETS



Capacity	1360kg-2000kg
Wrap	Single wrap
Rotor	External rotor
Undercut	U
Foot Pad Flatness	<0.5mm
Protection Rating	IP41
Insulation Class	F
Poles	30
Duty Cycle	S5-40%
Motor Rated Voltage	AC380V
Brake	Block
Picking/Holding Voltage	DC110V

Full-wave rectification power source for brake



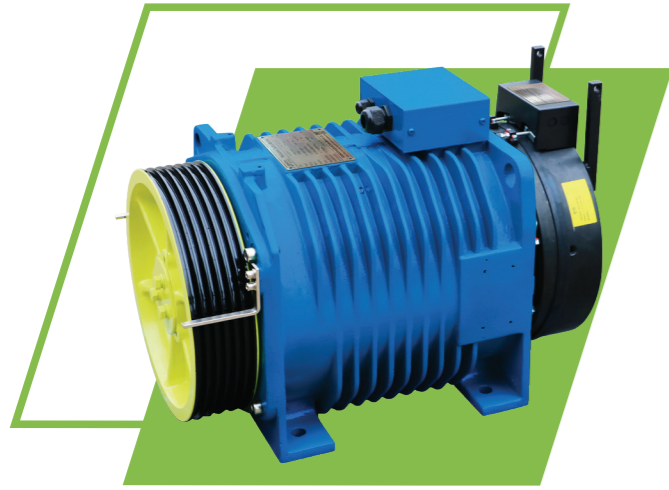
① Rails

Model	Capacity kg	Elevator Speed m/s	Rated Output kW	Rated Current A	Rated Speed rpm	Frequency Hz	Sheave Diameter mm	Torque Nm	Ropes 6-Φ13-18	Groove Angle β=95° γ=30°	Roping 2:1	Shaft Load kg	Handle Wheel N	Remote Release Y	Inertia kg m ²	Weight kg
WE 20-1360-100	1360	1.0	9.0	22.0	64	21.2	600	1347	6-Φ13-18	β=95° γ=30°	2:1	5000	N	Y	24.6	825
WE 20-1360-150		1.5	13.5		95	31.8										
WE 20-1360-160		1.6	14.4	38.0	102	34.0										
WE 20-1360-175		1.75	15.7		111	37.1										
WE 20-1360-200		2.0	18.0	42.0	127	42.4										
WE 20-1360-250		2.5	22.4	51.0	159	53.1										
WE 20-1632-100	1632	1.0	10.6	26.0	64	21.2	600	1596	6-Φ13-18	β=95° γ=30°	2:1	5000	N	Y	24.6	825
WE 20-1632-150		1.5	16.0		95	31.8										
WE 20-1632-160		1.6	17.0	44.0	102	34.0										
WE 20-1632-175		1.75	18.6		111	37.1										
WE 20-1632-200		2.0	21.3	49.0	127	42.4										
WE 20-1632-250		2.5	26.6	60.0	159	53.1										
WE 20-1768-100	1768	1.0	12.0	28.5	64	21.2	600	1796	6-Φ13-18	β=95° γ=30°	2:1	5000	N	Y	24.6	825
WE 20-1768-150		1.5	18.0		95	31.8										
WE 20-1768-160		1.6	19.2	48.0	102	34.0										
WE 20-1768-175		1.75	21.0		111	37.1										
WE 20-1768-200		2.0	23.9	54.0	127	42.4										
WE 20-1768-250		2.5	29.9	65.0	159	53.1										
WE 20-2000-100	2000	1.0	13.3	33.0	64	21.2	600	1995	6-Φ13-18	β=95° γ=30°	2:1	5000	N	Y	24.8	835
WE 20-2000-150		1.5	20.0		95	31.8										
WE 20-2000-160		1.6	21.3	55.0	102	34.0										
WE 20-2000-175		1.75	23.3		111	37.1										
WE 20-2000-200		2.0	26.6	59.0	127	42.4										
WE 20-2000-250		2.5	33.3	73.0	159	53.1										

Notes:

1. The brake picking/holding voltage is DC110V. Voltage switch is not necessary.
2. The balance ratio is 0.45~0.5.
3. Regen drive application, please consult with us, then order with notes.
4. Recommend to use Shenghao encoder or Tamagawa encoder, other encoders need to consult with us.
5. The rating table pertains to markets that establish a standard of 68 kilograms per person for the calculation of elevator capacity.

WR-D (320mm SHEAVE)SERIES MACHINES



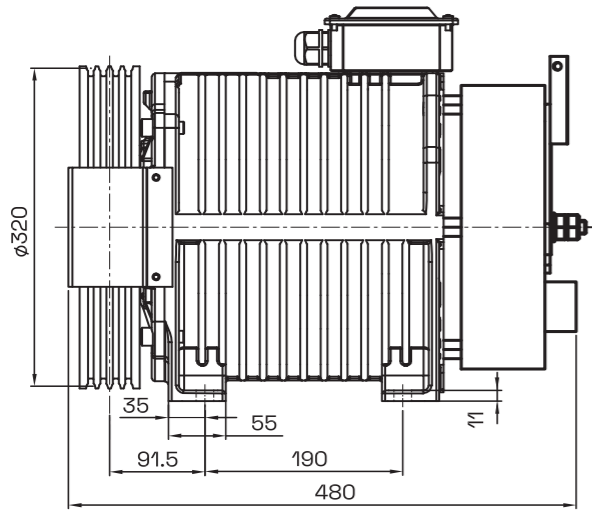
Capacity	450kg-1000kg
Wrap	Single wrap
Rotor	Internal rotor
Undercut	U
Foot Pad Flatness	<0.5mm
Protection Rating	IP41
Insulation Class	F
Poles	20
Duty Cycle	S5-40%
Motor Rated Voltage	AC380V
Brake	Plate
Picking/Holding Voltage	DC110V

Full-wave rectification power source for brake

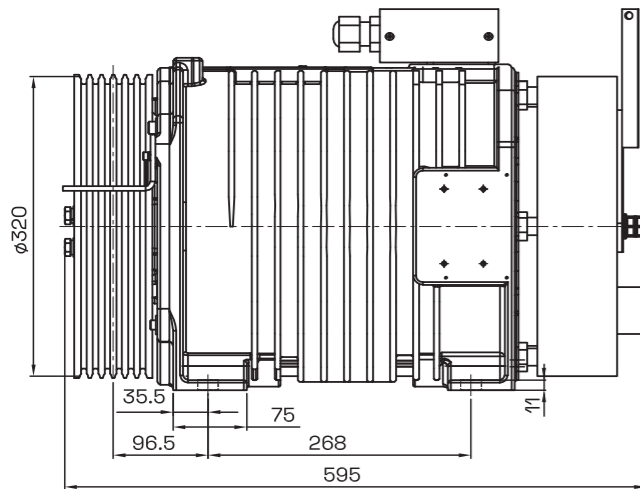
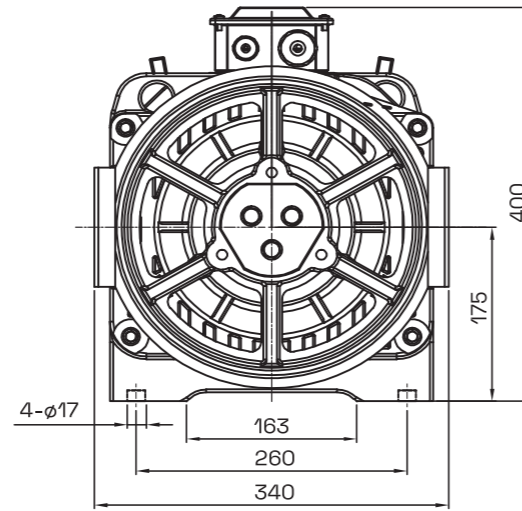
Model	Capacity kg	Elevator Speed m/s	Rated Output kW	Rated Current A	Rated Speed rpm	Frequency Hz	Sheave Diameter mm	Torque Nm	Ropes	Groove Angle	Roping	Shaft Load kg	Handle Wheel	Remote Release	Inertia kg m ²	Weight kg
WR-450-100-D	450	1.0	2.7	8.0	119	19.9	320	218	4-Φ8-12	β=90° γ=30°	2:1	1500	N	Y/N	0.32	150
WR-450-150-D		1.5	4.3		179	29.8		228								
WR-450-160-D		1.6	4.6	12.5	191	31.8										
WR-450-175-D		1.75	5.0		209	34.8										
WR-450-200-D		2.0	5.7	14.3	239	39.8										
WR-630-100-D	630	1.0	3.8	9.5	119	19.9	320	305	5-Φ8-12	β=90° γ=30°	2:1	2200	N	Y/N	0.43	195
WR-630-150-D		1.5	6.0		179	29.8		320								
WR-630-160-D		1.6	6.4	16.0	191	31.8										
WR-630-175-D		1.75	7.0		209	34.8										
WR-630-200-D		2.0	8.0	18.0	239	39.8										
WR-800-100-D	800	1.0	4.8	12.0	119	19.9	320	387	6-Φ8-12	β=90° γ=30°	2:1	2200	N	Y/N	0.45	205
WR-800-150-D		1.5	7.6		179	29.8		406								
WR-800-160-D		1.6	8.1	21.0	191	31.8										
WR-800-175-D		1.75	8.9		209	34.8										
WR-800-200-D		2.0	10.1	24.0	239	39.8										
WR-1000-100-D	1000	1.0	6.1	14.5	119	19.9	320	484	6-Φ8-12	β=90° γ=30°	2:1	2500	N	Y/N	0.46	215
WR-1000-150-D		1.5	9.5		179	29.8		507								
WR-1000-160-D		1.6	10.1	27.0	191	31.8										
WR-1000-175-D		1.75	11.1		209	34.8										
WR-1000-200-D		2.0	12.7	30.5	239	39.8										

Notes:

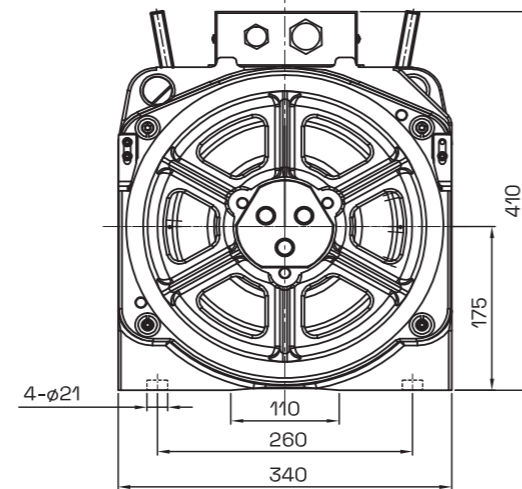
1. The brake picking/holding voltage is DC110V. Voltage switch is not necessary.
2. The balance ratio is 0.45~0.5.
3. Regen drive application, please consult with us, then order with notes.



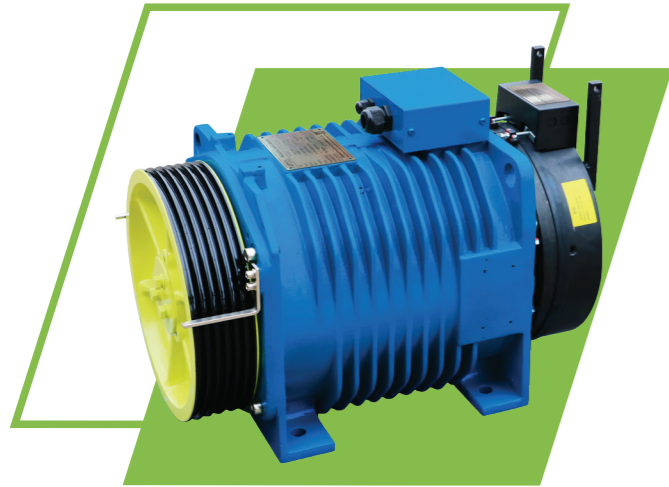
Capacity : 450kg (2:1)



Capacity : 630kg-1000kg (2:1)

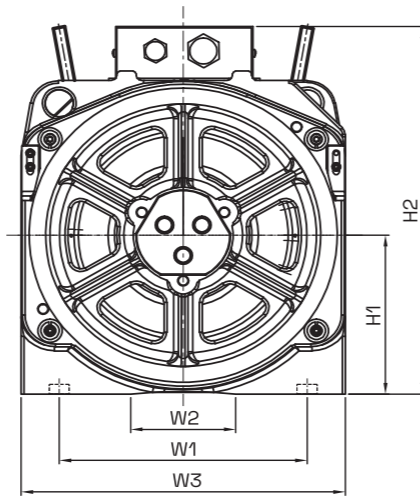
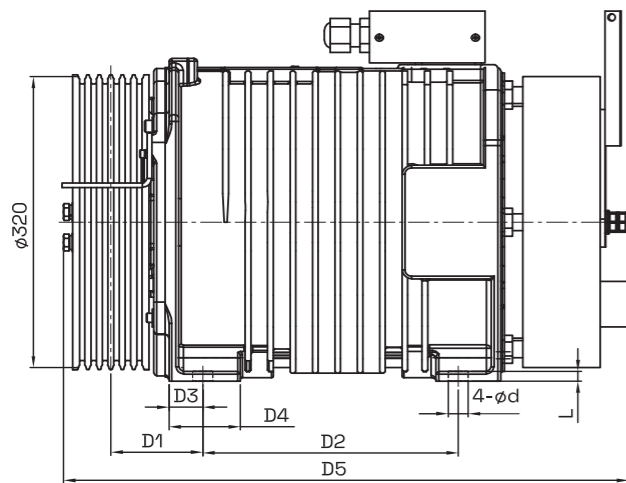


WR-D (320mm SHEAVE)SERIES MACHINES - ALTERNATIVE MARKETS



Capacity	408kg-1088kg
Wrap	Single wrap
Rotor	Internal rotor
Undercut	U
Foot Pad Flatness	<0.5mm
Protection Rating	IP41
Insulation Class	F
Poles	20
Duty Cycle	S5-40%
Motor Rated Voltage	AC380V
Brake	Plate
Picking/Holding Voltage	DC110V

Full-wave rectification power source for brake



OUTLINE DRAWING DIMENSIONS

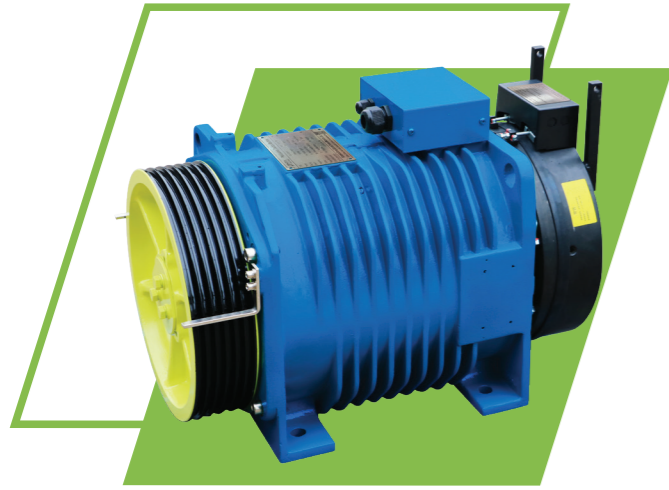
Capacity (kg)	Speed (m/s)	Roping	D1	D2	D3	D4	D5	W1	W2	W3	H1	H2	φd	L
408-D	1.0-2.0	2:1	91.5	163	35	55	450	260	163	340	175	400	17	11
544-D				190			480							
680-D			96.5	268	35.5	75	595	110	340	175	400	17		
884-D														
1020-D														
1088-D														

Model	Capacity kg	Elevator Speed m/s	Rated Output kW	Rated Current A	Rated Speed rpm	Frequency Hz	Sheave Diameter mm	Torque Nm	Ropes	Groove Angle	Roping	Shaft Load kg	Handle Wheel	Remote Release	Inertia kg m ²	Weight kg
WR-408-66-D	408	0.66	1.6	5.0	79	13.1	320	188	4-Φ8-12	β=90° γ=30°	2:1	1500	N	Y/N	0.30	125
WR-408-100-D		1.0	2.4	7.4	119	19.9										
WR-408-125-D		1.25	2.9	11.0	149	24.9										
WR-408-150-D		1.5	3.5		179	29.8										
WR-408-160-D		1.6	3.8		191	31.8										
WR-408-175-D		1.75	4.1	209	34.8											
WR-408-200-D		2.0	4.7	13.0	239	39.8										
WR-544-100-D	544	1.0	3.2	9.5	119	19.9	320	256	4-Φ8-12	β=90° γ=30°	2:1	1500	N	Y/N	0.32	150
WR-544-125-D		1.25	4.0	149	24.9											
WR-544-150-D		1.5	4.7	179	29.8											
WR-544-160-D		1.6	5.1	191	31.8											
WR-544-175-D		1.75	5.6	209	34.8											
WR-544-200-D		2.0	6.4	17.5	239	39.8										
WR-680-100-D	680	1.0	4.0	10.0	119	19.9	320	320	5-Φ8-12	β=90° γ=30°	2:1	2200	N	Y/N	0.43	195
WR-680-125-D		1.25	5.0	149	24.9											
WR-680-150-D		1.5	6.0	16.0	179	29.8										
WR-680-160-D		1.6	6.4		191	31.8										
WR-680-175-D		1.75	7.0		209	34.8										
WR-680-200-D		2.0	8.0	18.0	239	39.8										
WR-884-100-D	884	1.0	5.1	13.0	119	19.9	320	406	6-Φ8-12	β=90° γ=30°	2:1	2200	N	Y/N	0.45	205
WR-884-125-D		1.25	6.3	149	24.9											
WR-884-150-D		1.5	7.6	21.0	179	29.8										
WR-884-160-D		1.6	8.1		191	31.8										
WR-884-175-D		1.75	8.9		209	34.8										
WR-884-200-D		2.0	10.1	24.0	239	39.8										
WR-1020-100-D	1020	1.0	6.3	15.5	119	19.9	320	507	6-Φ8-12	β=90° γ=30°	2:1	2500	N	Y/N	0.46	215
WR-1020-125-D		1.25	7.9	149	24.9											
WR-1020-150-D		1.5	9.5	27.0	179	29.8										
WR-1020-160-D		1.6	10.1		191	31.8										
WR-1020-175-D		1.75	11.1		209	34.8										
WR-1020-200-D		2.0	12.7	30.5	239	39.8										
WR-1088-100-D	1088	1.0	6.3	15.5	119	19.9	320	507	6-Φ8-12	β=90° γ=30°	2:1	2500	N	Y/N	0.46	215
WR-1088-125-D		1.25	7.9	149	24.9											
WR-1088-150-D		1.5	9.5	27.0	179	29.8										
WR-1088-160-D		1.6	10.1		191	31.8										
WR-1088-175-D		1.75	11.1		209	34.8										
WR-1088-200-D		2.0	12.7	30.5	239	39.8										

Notes:

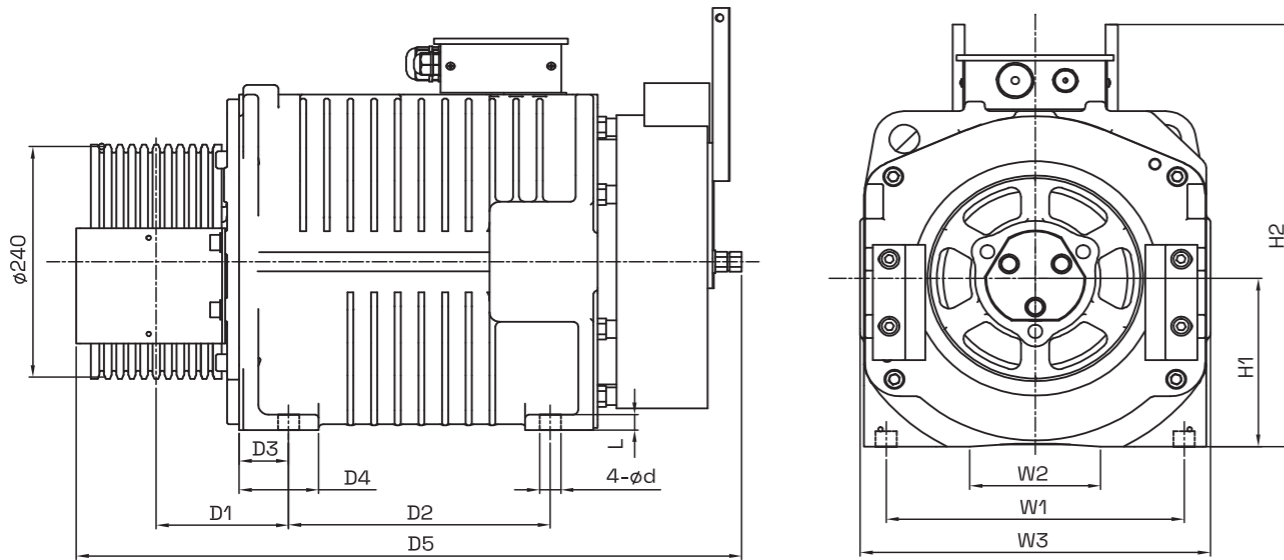
1. The brake picking/holding voltage is DC110V. Voltage switch is not necessary.
2. The balance ratio is 0.45~0.5.
3. Regen drive application, please consult with us, then order with notes.
4. The rating table pertains to markets that establish a standard of 68 kilograms per person for the calculation of elevator capacity.

WR-D (240mm SHEAVE)SERIES MACHINES - ALTERNATIVE MARKETS



Capacity	408kg-1350kg
Wrap	Single wrap
Rotor	Internal rotor
Undercut	U
Foot Pad Flatness	<0.5mm
Protection Rating	IP41
Insulation Class	F
Poles	20
Duty Cycle	S5-40%
Motor Rated Voltage	AC380V
Brake	Plate
Picking/Holding Voltage	DC110V

Full-wave rectification power source for brake



OUTLINE DRAWING DIMENSIONS

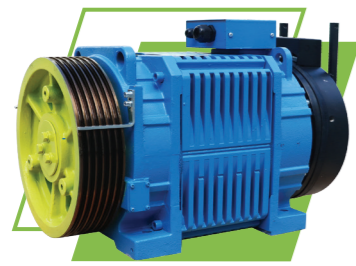
Capacity (kg)	Speed (m/s)	Roping	D1	D2	D3	D4	D5	W1	W2	W3	H1	H2	φd	L				
408-D	1.0-2.0	2:1	99	163	35	55	465	260	163	310	175	400	17	11				
544-D				190			510											
680-D				510														
884-D			107.5	268	75	630	110		340	410								
1088-D			119.5			640												
1150-D			640															
1250-D			131.5	260	45	665	130		348	440	21	16						
1360-D																		

Model	Capacity kg	Elevator Speed m/s	Rated Output kW	Rated Current A	Rated Speed rpm	Frequency Hz	Sheave Diameter mm	Torque Nm	Ropes	Groove Angle β	Rop- ing γ	Shaft Load kg	Handle Wheel	Remote Release	Inertia kg m ²	Weight kg
WR-408-100-D	408	1.0	2.4	7.4	159	26.5	240	141	4-Φ6.5-12	β=90° γ=30°	2:1	1500	N	Y/N	0.3	120
WR-408-150-D		1.5	3.5		239	39.8										
WR-408-160-D		1.6	3.8	12.0	255	42.4										
WR-408-175-D		1.75	4.1		279	46.4										
WR-408-200-D		2.0	4.7	13.5	318	53.1										
WR-544-100-D	544	1.0	3.4	9.0	159	26.5	240	206	5-Φ6.5-12	β=90° γ=30°	2:1	1500	N	Y/N	0.3	145
WR-544-150-D		1.5	5.2		239	39.8										
WR-544-160-D		1.6	5.5	16.0	255	42.4										
WR-544-175-D		1.75	6.0		279	46.4										
WR-544-200-D		2.0	6.9	18.0	318	53.1										
WR-680-100-D	680	1.0	4.0	11.0	159	26.5	240	240	5-Φ6.5-12	β=90° γ=30°	2:1	2000	N	Y/N	0.32	150
WR-680-150-D		1.5	6.0		239	39.8										
WR-680-160-D		1.6	6.4	17.0	255	42.4										
WR-680-175-D		1.75	7.0		279	46.4										
WR-680-200-D		2.0	8.0	20.0	318	53.1										
WR-884-100-D	884	1.0	5.1	12.5	159	26.5	240	304	7-Φ6.5-12	β=90° γ=30°	2:1	2200	N	Y/N	0.43	190
WR-884-150-D		1.5	7.6		239	39.8										
WR-884-160-D		1.6	8.1	21.0	255	42.4										
WR-884-175-D		1.75	8.9		279	46.4										
WR-884-200-D		2.0	10.1	24.0	318	53.1										
WR-1088-100-D	1088	1.0	6.3	17.0	159	26.5	240	380	9-Φ6.5-12	β=90° γ=30°	2:1	2500	N	Y/N	0.45	200
WR-1088-150-D		1.5	9.5		239	39.8										
WR-1088-160-D		1.6	10.1	27.0	255	42.4										
WR-1088-175-D		1.75	11.1		279	46.4										
WR-1088-200-D		2.0	12.7	30.5	318	53.1										
WR-1150-100-D	1150	1.0	7.0	19.0	159	26.5	240	421	9-Φ6.5-12	β=90° γ=30°	2:1	3000	N	Y/N	0.45	220
WR-1150-150-D		1.5	10.5		239	39.8										
WR-1150-160-D		1.6	11.2	30.0	255	42.4										
WR-1150-175-D		1.75	12.3		279	46.4										
WR-1150-200-D		2.0	14.0	33.5	318	53.1										
WR-1250-100-D	1250	1.0	7.6	20.0	159	26.5	240	458	9-Φ6.5-12	β=90° γ=30°	2:1	3000	N	Y/N	0.45	240
WR-1250-150-D		1.5	11.5		239	39.8										
WR-1250-160-D		1.6	12.2	32.5	255	42.4										
WR-1250-175-D		1.75	13.4		279	46.4										
WR-1250-200-D		2.0	15.3	37.0	318	53.1										
WR-1360-100-D	1360	1.0	8.3	23.0	159	26.5	240	495	10-Φ6.5-12	β=90° γ=30°	2:1	3500	N	Y/N	0.46	245
WR-1360-150-D		1.5	12.4		239	39.8										
WR-1360-160-D		1.6	13.2	33.0	255	42.4										
WR-1360-175-D		1.75	14.4		279	46.4										
WR-1360-200-D		2.0	16.5	38.0	318	53.1										

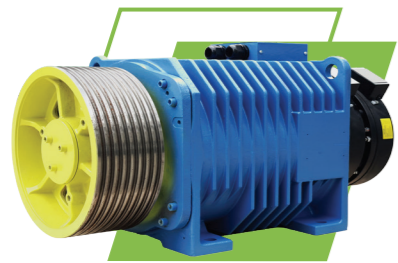
Notes:

1. The brake picking/holding voltage is DC110V. Voltage switch is not necessary.
2. The balance ratio is 0.45~0.5.
3. Regen drive application, please consult with us, then order with notes.
4. Rope diameter and sheave pitch diameter don't meet ISO8100-1/2 application requirement, customer need to perform technical evaluation.
5. The rating table pertains to markets that establish a standard of 68 kilograms per person for the calculation of elevator capacity.
6. For Alternative markets we can supply this series machine with Φ8mm ropes , groove distance 12 mm , if need, please confirm with us for the max quantity of ropes by capacity.

WR SERIES MACHINES



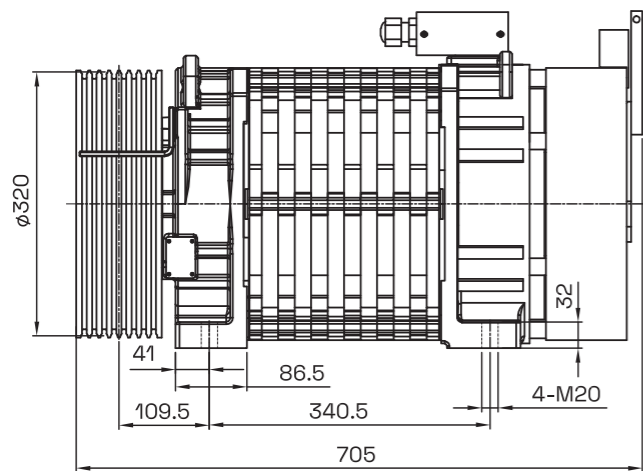
Capacity: 1150kg (2:1)



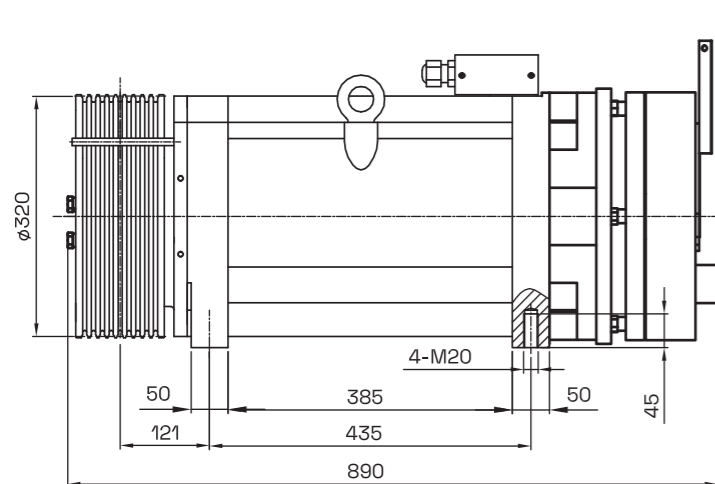
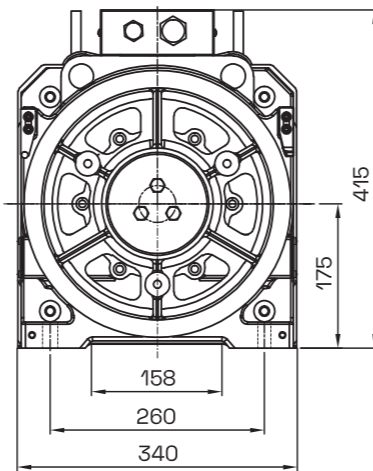
Capacity: 1600-2000kg (2:1)

Capacity	1150kg-2000kg
Wrap	Single wrap
Rotor	Internal rotor
Undercut	U
Foot Pad Flatness	<0.5mm
Protection Rating	IP40
Insulation Class	F
Poles	20
Duty Cycle	S5-40%
Motor Rated Voltage	AC380V
Brake	Plate
Picking/Holding Voltage	DC110V

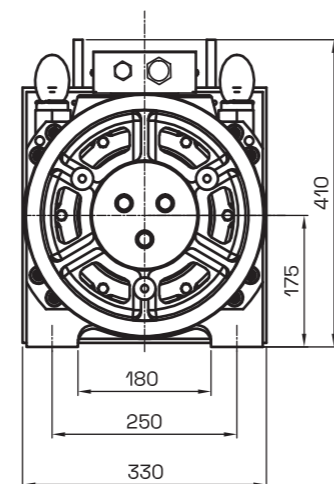
Full-wave rectification power source for brake



Capacity: 1150 kg (2:1)



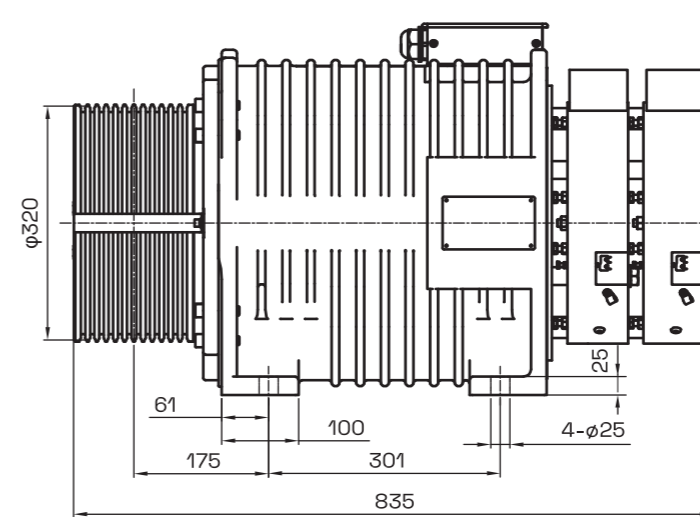
Capacity: 1250 - 1350 kg (2:1)



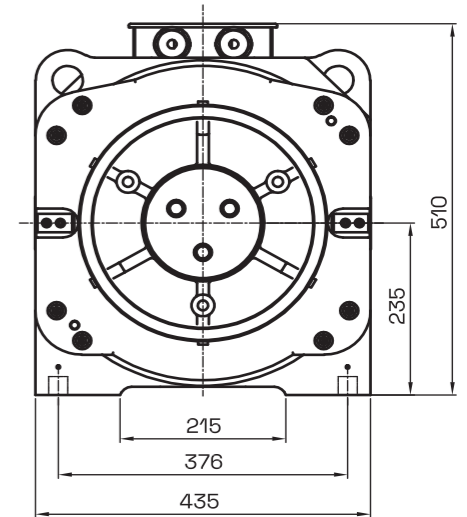
Model	Capacity kg	Elevator Speed m/s	Rated Output kW	Rated Current A	Rated Speed rpm	Frequency Hz	Sheave Diameter mm	Torque Nm	Ropes	Groove Angle	Roping	Shaft Load kg	Handle Wheel	Remote Release	Inertia kg m ²	Weight kg
WR-1150-100-E	1150	1.0	7.0	19.0	119	19.9	320	561	8-Φ8-12	β=90° γ=30°	2:1	3500	N	Y/N	0.70	310
WR-1150-150-E		1.5	10.5	28.5	179	29.8										
WR-1150-160-E		1.6	11.2		191	31.8										
WR-1150-175-E		1.75	12.3		209	34.8										
WR-1150-200-E		2.0	14.0		239	39.8										
★ WR-1250-100	1250	1.0	7.2	21.0	119	19.9	320	665	9-Φ8-12	β=90° γ=30°	2:1	3500	N	Y/N	0.76	400
WR-1250-150		1.5	12.5	179	29.8											
WR-1250-160		1.6	13.3	33.0	191	31.8										
WR-1250-175		1.75	14.6	209	34.8											
★ WR-1250-200		2.0	15.9	38.0	239	39.8										
★ WR-1350-100	1350	1.0	8.6	23.0	119	19.9	320	718	9-Φ8-12	β=90° γ=30°	2:1	3500	N	Y/N	0.76	400
WR-1350-150		1.5	13.5	37.0	179	29.8										
WR-1350-160		1.6	14.4		191	31.8										
WR-1350-175		1.75	15.7		209	34.8										
★ WR-1350-200		2.0	17.1		40.0	239										
★ WR-1600-100-D	1600	1.0	9.7	24.0	119	19.9	320	851	10-Φ8-12	β=90° γ=30°	2:1	5000	N	N	1.40	500
WR-1600-150-D		1.5	16.0	179	29.8											
WR-1600-160-D		1.6	17.0	42.0	191	31.8										
WR-1600-175-D		1.75	18.6	209	34.8											
★ WR-1600-200-D		2.0	20.3	45.0	239	39.8										
★ WR-2000-100-D	2000	1.0	11.5	28.0	119	19.9	320	1064	12-Φ8-12	β=90° γ=30°	2:1	5000	N	N	1.50	520
WR-2000-150-D		1.5	20.0	179	29.8											
WR-2000-160-D		1.6	21.3	52.0	191	31.8										
WR-2000-175-D		1.75	23.3	209	34.8											
★ WR-2000-200-D		2.0	26.6	58.0	239	39.8										

Notes:

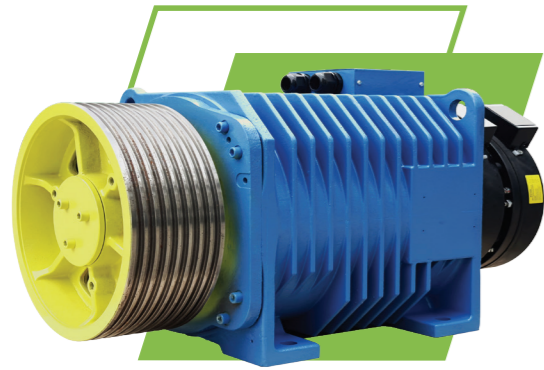
1. The standard design of this series is only applicable for 180° wrap angle.
2. With "★" mark, the balance ratio is 0.45~0.5.
3. Regen drive application, please consult with us, then order with notes.



Capacity: 1600 kg - 2000 kg (2:1)



WR-D (400mm SHEAVE) SERIES MACHINES



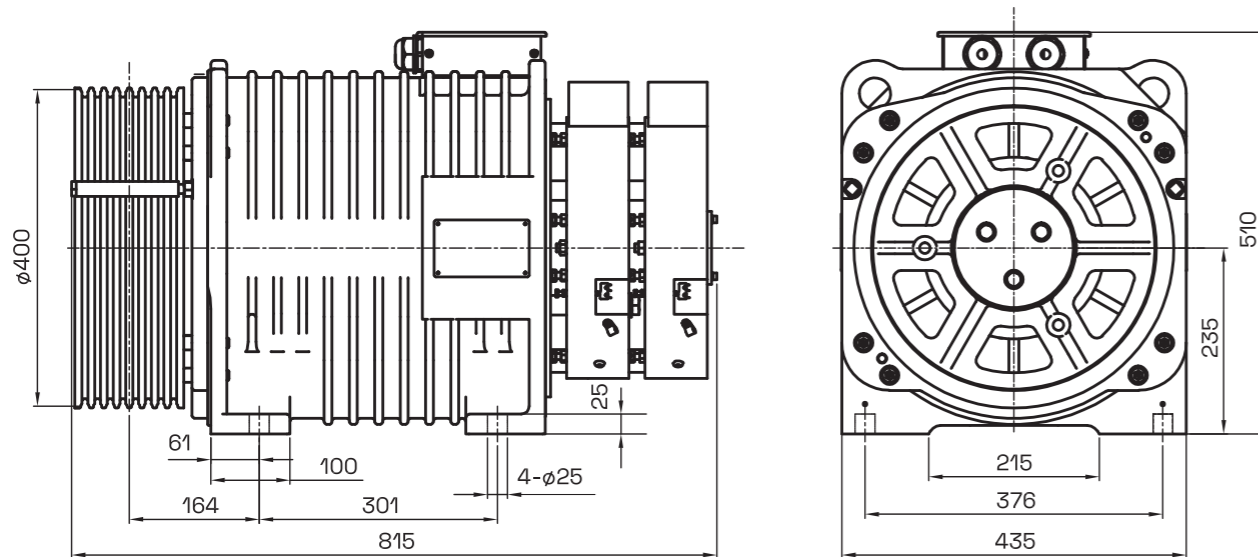
Capacity	1250kg-1600kg
Wrap	Single wrap
Rotor	Internal rotor
Undercut	U
Foot Pad Flatness	<0.5mm
Protection Rating	IP41
Insulation Class	F
Poles	20
Duty Cycle	S5-40%
Motor Rated Voltage	AC380V
Brake	Plate
Picking/Holding Voltage	DC110V

Full-wave rectification power source for brake

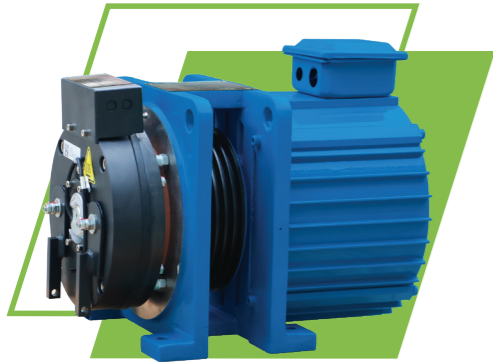
Model	Capacity kg	Elevator Speed m/s	Rated Output kW	Rated Current A	Rated Speed rpm	Frequency Hz	Sheave Diameter mm	Torque Nm	Ropes	Groove Angle $\beta=95^\circ$ $\gamma=30^\circ$	Roping	Shaft Load kg	Handle Wheel	Remote Release	Inertia kg m ²	Weight kg
★ WR-1250-100-D	1250	1.0	7.6	19.0	95	15.9	400	762	6- Φ 10-16	$\beta=95^\circ$ $\gamma=30^\circ$	2:1	3500	N	N	1.87	495
WR-1250-150-D		1.5	12.5		143	23.9										
WR-1250-160-D		1.6	13.3	33.0	153	25.5										
WR-1250-175-D		1.75	14.6		167	27.9										
WR-1250-200-D		2.0	16.6	38.0	191	31.8										
WR-1250-250-D		2.5	20.8	46.0	239	39.8										
★ WR-1350-100-D	1350	1.0	8.2	20.0	95	15.9	400	823	8- Φ 10-16	$\beta=95^\circ$ $\gamma=30^\circ$	2:1	4500	N	N	1.90	500
WR-1350-150-D		1.5	13.5		143	23.9										
WR-1350-160-D		1.6	14.4	37.0	153	25.5										
WR-1350-175-D		1.75	15.7		167	27.9										
WR-1350-200-D		2.0	18.0	40.0	191	31.8										
WR-1350-250-D		2.5	22.5	48.0	239	39.8										
★ WR-1600-100-D	1600	1.0	9.8	23.0	95	15.9	400	976	8- Φ 10-16	$\beta=95^\circ$ $\gamma=30^\circ$	2:1	5000	N	N	2.10	520
WR-1600-150-D		1.5	16.0		143	23.9										
WR-1600-160-D		1.6	17.0	42.0	153	25.5										
WR-1600-175-D		1.75	18.6		167	27.9										
WR-1600-200-D		2.0	21.3	47.0	191	31.8										
WR-1600-250-D		2.5	26.6	58.0	239	39.8										

Notes:

1. The standard design of this series is only applicable for 180° wrap angle.
2. With "★" mark, the balance ratio is 0.45~0.5.
3. Regen drive application, please consult with us, then order with notes.



VL-D SERIES MACHINES



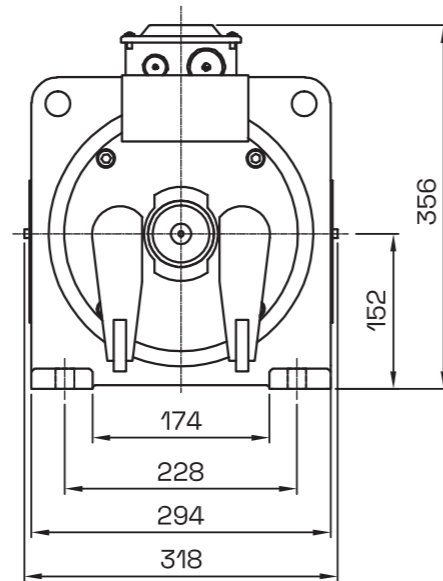
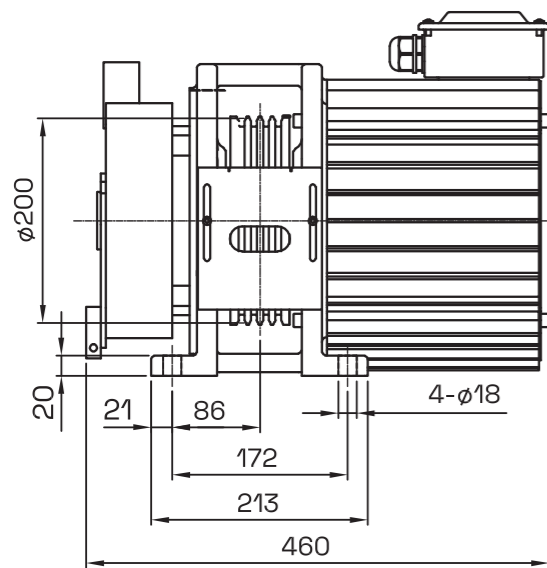
Capacity	250kg-450kg
Wrap	Single wrap
Rotor	Internal rotor
Undercut	U
Foot Pad Flatness	<0.5mm
Protection Rating	IP40
Insulation Class	F
Poles	16
Duty Cycle	S5-25%
Brake	Plate
Picking/Holding Voltage	DC110V

Full-wave rectification power source for brake

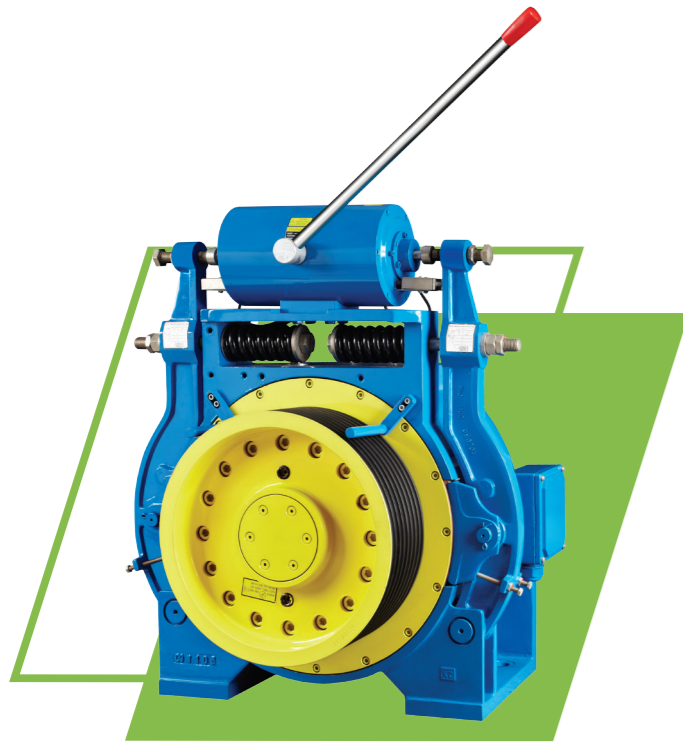
Model	Capacity	Elevator Speed	Rated Output	Rated Current		Rated Speed	Frequency	Sheave Diameter	Torque	Ropes	Groove Angle	Roping	Shaft Load	Handle Wheel	Remote Release	Inertia	Weight
	kg	m/s	kW	Voltage 220V	Voltage 380V	rpm	Hz	mm	Nm			kg			kg m ²	kg	
VL-250-40-D	250	0.4	0.67	6.1	3.5	76	10.2	200	83	3-Φ8-12	β=90° γ=30°	2:1	1500	N	Y/N	0.2	110
VL-250-63-D		0.63	1.1			120	16.0										
VL-250-100-D		1.0	1.7			191	25.5										
VL-320-40-D	320	0.4	0.85	7.4	4.3	76	10.2	200	106	3-Φ8-12	β=90° γ=30°	2:1	1500	N	Y/N	0.2	110
VL-320-63-D		0.63	1.3			120	16.0										
VL-320-100-D		1.0	2.1			191	25.5										
VL-400-40-D	400	0.4	1.1	9.9	5.7	76	10.2	200	133	3-Φ8-12	β=90° γ=30°	2:1	1500	N	Y/N	0.2	110
VL-400-63-D		0.63	1.7			120	16.0										
VL-400-100-D		1.0	2.7			191	25.5										
VL-450-40-D	450	0.4	1.2	11.2	6.5	76	10.2	200	150	3-Φ8-12	β=90° γ=30°	2:1	1500	N	Y/N	0.2	110
VL-450-63-D		0.63	1.9			120	16.0										
VL-450-100-D		1.0	3.0			191	25.5										

Notes:

1. The brake picking/holding voltage is DC110V. Voltage switch is not necessary.
2. Regen drive application, please consult with us, then order with notes.

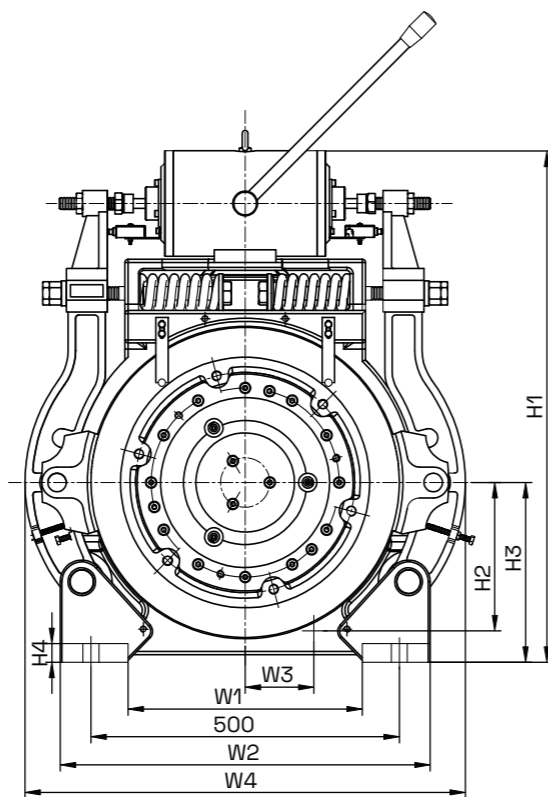
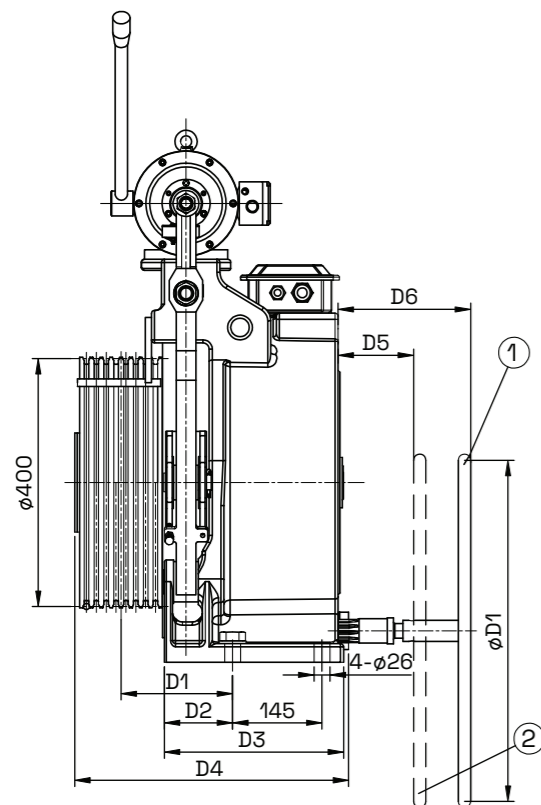


WTY1/ WTY1-C SERIES MACHINES



Capacity	630kg-1600kg
Wrap	Single wrap
Rotor	External rotor
Undercut	U
Foot Pad Flatness	<0.5mm
Protection Rating	IP40
Insulation Class	F
Poles	20
Duty Cycle	S5-40%
Motor Rated Voltage	AC380V
Brake	Drum
Picking/Holding Voltage	AC110V/DC110V

Full-wave rectification power source for DC brake



- ① Original Position
- ② Operation Position

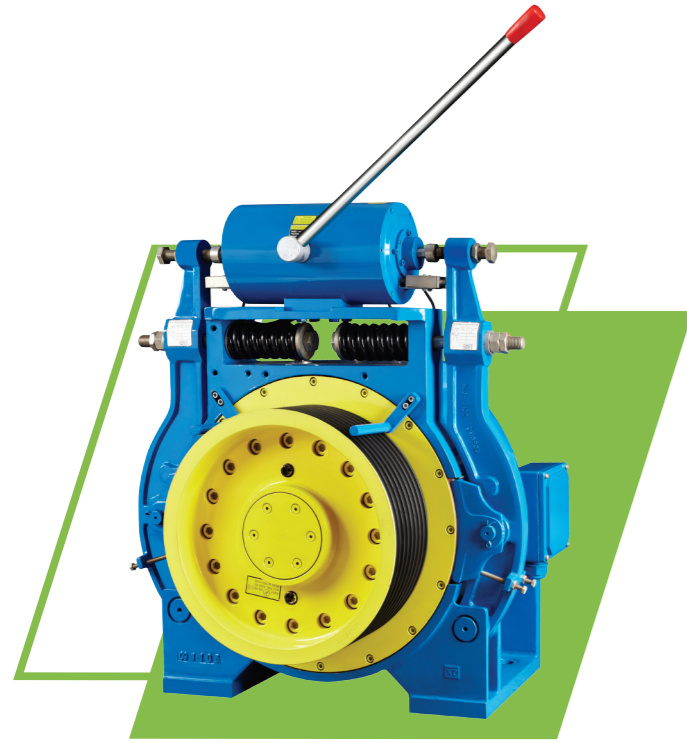
- Notes:
1. Brake are AC110V and DC110V optional, other brake voltage please consult engineers.
 2. AC brake is equipped with controller, step-down transformer is not required. DC brake requires step-down transformer in cabinet to guarantee holding voltage is 50% of picking voltage.
 3. Regen drive application, please consult with us, then order with notes.
 4. The brakes that meet GB/T 7588.1 are slightly difference from the pictures.

Model	Capacity kg	Elevator Speed m/s	Rated Output kW	Rated Current A	Rated Speed rpm	Frequency Hz	Sheave Diameter mm	Torque Nm	Ropes	Groove Angle	Roping	Shaft Load kg	Handle Wheel	Remote Release	Inertia kg m ²	Weight kg	
WTY1-630-100	630	1.0	4.3	11.0	95	15.9	400	432	4-Φ10-16	β=95° γ=30°	2:1	3000	Y	Y	3.45	330	
WTY1-630-150		1.5	6.4		143	23.9		425									
WTY1-630-160		1.6	6.8	16.5	153	25.5		423									
WTY1-630-175		1.75	7.4		167	27.8											
WTY1-630-200		2.0	8.7	20.0	191	31.8											
WTY1-630-250	2.5	10.9	24.0	239	39.8		435	5-Φ10-16						3.77			
WTY1-800-100	800	1.0	5.4	12.0	95	15.9	400	543	5-Φ10-16	β=95° γ=30°	2:1	3000	Y	Y	3.45	330	
WTY1-800-150		1.5	8.1		143	23.9		540									
WTY1-800-160		1.6	8.6	20.0	153	25.5		537									
WTY1-800-175		1.75	9.6		167	27.8		549									
WTY1-800-200		2.0	11.0	25.0	191	31.8											
WTY1-800-250	2.5	13.8	30.0	239	39.8		550							3.77			
WTY1-1000-100	1000	1.0	6.4	15.0	95	15.9	400	640	5-Φ10-16	β=95° γ=30°	2:1	3000	Y	Y	3.77	330	
WTY1-1000-150		1.5	10.0		143	23.9		665									
WTY1-1000-160		1.6	10.7	26.0	153	25.5											
WTY1-1000-175		1.75	11.7		167	27.8		669									
WTY1-1000-200		2.0	13.3	30.0	191	31.8											
WTY1-1000-250	2.5	16.6	36.0	239	39.8		665	6-Φ10-16							400		
WTY1-1150-100-C	1150	1.0	7.6	19.0	95	15.9	400	763	6-Φ10-16	β=95° γ=30°	2:1	3000	Y	Y	3.77	410	
WTY1-1150-150-C		1.5	11.4		143	23.9											
WTY1-1150-160-C		1.6	12.2	28.0	153	25.5											
WTY1-1150-175-C		1.75	13.3		167	27.8											
WTY1-1150-200-C		2.0	15.3	32.0	191	31.8											
WTY1-1150-250-C	2.5	19.1	40.0	239	39.8												
WTY1-1250-100	1250	1.0	8.5	19.0	95	15.9	400	850	6-Φ10-16	β=95° γ=30°	2:1	4500	Y	Y	7.30	505	
WTY1-1250-150		1.5	12.7		143	23.9		845									
WTY1-1250-160		1.6	13.5	32.0	153	25.5											
WTY1-1250-175		1.75	14.8		167	27.8		846									
WTY1-1250-200		2.0	17.0	35.0	191	31.8											
WTY1-1250-250	2.5	21.2	44.0	239	39.8		846										
WTY1-1350-100	1350	1.0	9.3	24.0	95	15.9	400	934	8-Φ10-16	β=95° γ=30°	2:1	4500	Y	Y	7.30	505	
WTY1-1350-150		1.5	14.0		143	23.9											
WTY1-1350-160		1.6	14.9	35.0	153	25.5											
WTY1-1350-175		1.75	16.3		167	27.8											
WTY1-1350-200		2.0	18.7	47.5	191	31.8											
WTY1-1350-250	2.5	23.4	53.0	239	39.8												
WTY1-1600-100	1600	1.0	10.8	25.0	95	15.9	400	1086	8-Φ10-16	β=95° γ=30°	2:1	4500	Y	Y	7.30	515	
WTY1-1600-150		1.5	16.3		143	23.9											
WTY1-1600-160		1.6	17.4	40.0	153	25.5											
WTY1-1600-175		1.75	19.0		167	27.8											
WTY1-1600-200		2.0	21.7	50.0	191	31.8											
WTY1-1600-250	2.5	27.2	62.5	239	39.8										525		

OUTLINE DRAWING DIMENSIONS

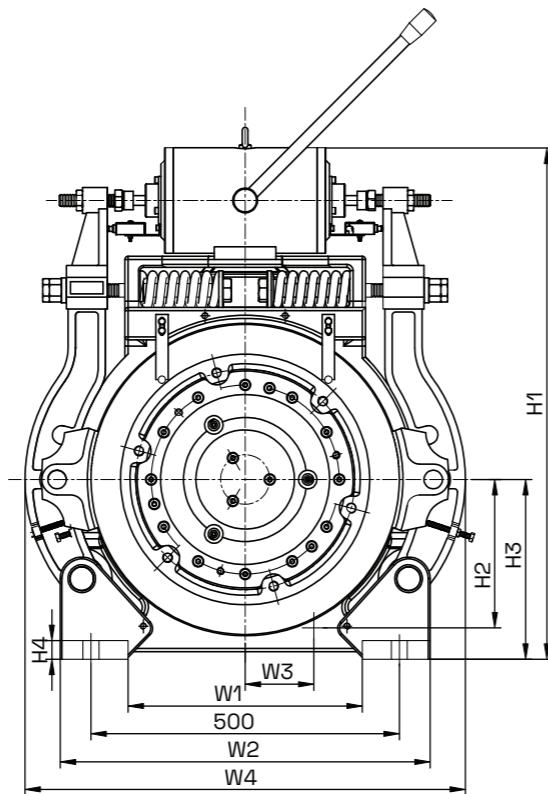
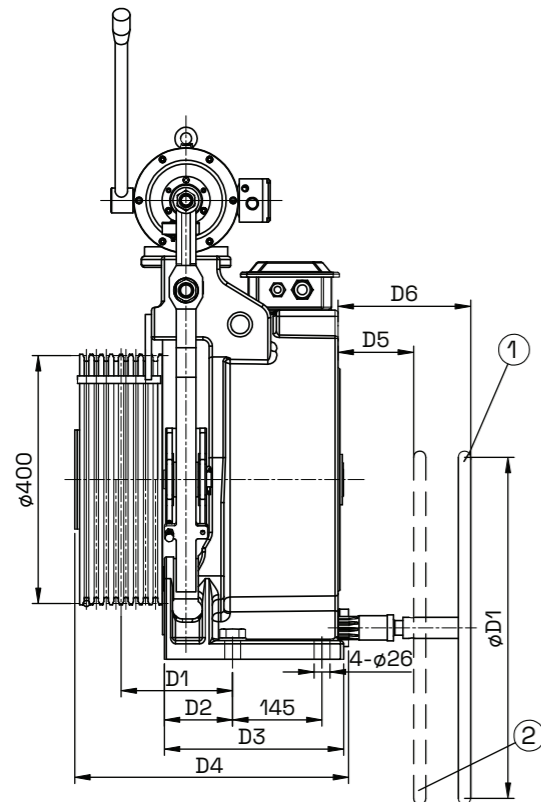
Capacity (kg)	Elevator Speed (m/s)	D1	D2	D3	D4	D5	D6	W1	W2	W3	W4	H1	H2	H3	H4	ΦD1
630	1.0-2.5															
800	1.0-2.5	76	29	217	309	90	190	350	560	110	695	750	235	290	30	370
1000	1.0-1.75															
	2.0-2.5	84	29	223.5	334.5	90	190	350	560	110	695	750	235	290	30	370
1150	1.0-2.5	84	33	237	345	/	/	350	560	/	717	753	/	300	40	550
1250	1.0-2.5															
1350	1.0-2.5	181	110.5	290.5	436	122.5	215	380	600	111.5	714	825	239	290	30	550
1600	1.0-2.5															

WTY1/ WTY1-C SERIES MACHINES - ALTERNATIVE MARKETS



Capacity	680kg-1600kg
Wrap	Single wrap
Rotor	External rotor
Undercut	U
Foot Pad Flatness	<0.5mm
Protection Rating	IP40
Insulation Class	F
Poles	20
Duty Cycle	S5-40%
Motor Rated Voltage	AC380V
Brake	Drum
Picking/Holding Voltage	AC110V/DC110V

Full-wave rectification power source for DC brake



- ① Original Position
- ② Operation Position

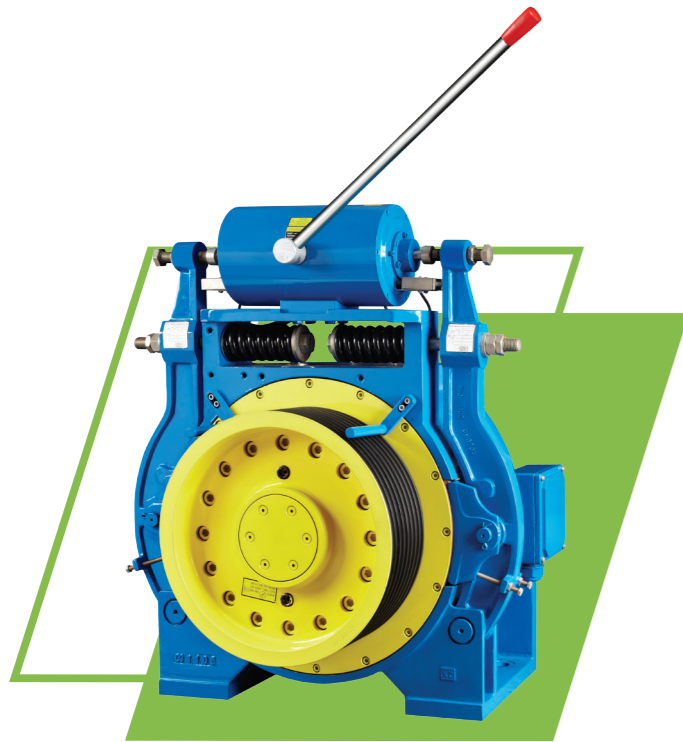
- Notes:
1. Brake are AC110V and DC110V optional, other brake voltage please consult engineers.
 2. AC brake is equipped with controller, step-down transformer is not required. DC brake requires step-down transformer in cabinet to guarantee holding voltage is 50% of picking voltage.
 3. Regen drive application, please consult with us, then order with notes.
 5. The rating table pertains to markets that establish a standard of 68 kilograms per person for the calculation of elevator capacity.

Model	Capacity kg	Elevator Speed m/s	Rated Output kW	Rated Current A	Rated Speed rpm	Frequency Hz	Sheave Diameter mm	Torque Nm	Ropes	Groove Angle	Roping	Shaft Load kg	Handle Wheel	Remote Release	Inertia kg m ²	Weight kg																										
WTY1-680-100	680	1.0	4.3	11.0	95	15.9	400	432	5-Φ10-16	β=95° γ=30°	2:1	3000	Y	Y	3.45	330																										
WTY1-680-125		1.25	5.2	13.0	119	19.9		416																																		
WTY1-680-150		1.5	6.4	16.5	143	23.9		425																																		
WTY1-680-160		1.6	6.8		153	25.5		423																																		
WTY1-680-175		1.75	7.4		167	27.8		416																																		
WTY1-680-200		2.0	8.3	21.0	191	31.8																																				
WTY1-680-250	2.5	10.4	26.0	239	39.8	884	543	5-Φ10-16	β=95° γ=30°	2:1	3000	Y	Y	3.45	330																											
WTY1-884-100	1.0	5.4	12.0	95	15.9		535																																			
WTY1-884-125	1.25	6.7	15.5	119	19.9		540																																			
WTY1-884-150	1.5	8.1	20.0	143	23.9		537																																			
WTY1-884-160	1.6	8.6		153	25.5		549																																			
WTY1-884-175	1.75	9.6		167	27.8		550																																			
WTY1-884-200	2.0	11.0	25.0	191	31.8																																					
WTY1-884-250	2.5	13.8	30.0	239	39.8		1088									640	5-Φ10-16	β=95° γ=30°	2:1	3000	Y	Y	3.77	330																		
WTY1-1088-100	1.0	6.4	15.0	95	15.9	659																																				
WTY1-1088-125	1.25	8.2	20.0	119	19.9	665																																				
WTY1-1088-150	1.5	10.0	26.0	143	23.9	669																																				
WTY1-1088-160	1.6	10.7		153	25.5	665																																				
WTY1-1088-175	1.75	11.7		167	27.8																																					
WTY1-1088-200	2.0	13.3	30.0	191	31.8	1150	800	6-Φ10-16	β=95° γ=30°	2:1	4500	Y	Y	7.3	520																											
WTY1-1088-250	2.5	16.6	36.0	239	39.8		1360									934	8-Φ10-16	β=95° γ=30°	2:1	4500	Y	Y	7.3	520																		
WTY1-1150-100	1.0	8.0	19.0	95	15.9											1496									995	8-Φ10-16	β=95° γ=30°	2:1	4500	Y	Y	7.3	540									
WTY1-1150-125	1.25	10.0	25.0	119	19.9																				550																	
WTY1-1150-150	1.5	12.0	27.0	143	23.9																				540																	
WTY1-1150-160	1.6	12.8		153	25.5																													550								
WTY1-1150-175	1.75	14.0		167	27.9	1632		1086	8-Φ10-16	β=95° γ=30°	2:1	4500	Y	Y	7.30										550																	
WTY1-1150-200	2.0	16.0	32.0	191	31.8			1632																										1086	8-Φ10-16	β=95° γ=30°	2:1	4500	Y	Y	7.30	550
WTY1-1150-250	2.5	20.0	40.0	239	39.8											1632										1086	8-Φ10-16	β=95° γ=30°	2:1	4500	Y	Y	7.30	550								
WTY1-1360-100	1.0	9.3	24.0	95	15.9		1496										995	8-Φ10-16	β=95° γ=30°	2:1	4500	Y	Y	7.3		540																
WTY1-1360-125	1.25	11.6	25.0	119	19.9												550																									
WTY1-1360-150	1.5	14.0	35.0	143	23.9												540																									
WTY1-1360-160	1.6	14.9		153	25.5	550																																				
WTY1-1360-175	1.75	16.3		167	27.8				1632	1086	8-Φ10-16	β=95° γ=30°	2:1	4500	Y		Y								7.30																	
WTY1-1360-200	2.0	18.7	47.5	191	31.8	1632				1086						8-Φ10-16											β=95° γ=30°	2:1	4500	Y	Y	7.30	550									
WTY1-1360-250	2.5	23.4	53.0	239	39.8		1496	995		8-Φ10-16								β=95° γ=30°	2:1	4500	Y	Y	7.3	540																		
WTY1-1496-100	1.0	10.0	24.0	95	15.9			1496																		995								8-Φ10-16	β=95° γ=30°	2:1	4500	Y	Y	7.3	540	
WTY1-1496-125	1.25	12.4	32.0	119	19.9																					550																
WTY1-1496-150	1.5	14.9	38.0	143	23.9																					540																
WTY1-1496-160	1.6	15.9		153	25.5				550																																	
WTY1-1496-175	1.75	17.4		167	27.8						1632	1086	8-Φ10-16	β=95° γ=30°	2:1		4500								Y	Y																7.30
WTY1-1496-200	2.0	19.9	48.0	191	31.8		1632		1086	8-Φ10-16		β=95° γ=30°						2:1	4500	Y	Y	7.30	550																			
WTY1-1496-250	2.5	24.9	58.0	239	39.8	1632		1086	8-Φ10-16							β=95° γ=30°								2:1			4500	Y	Y	7.30	550											
WTY1-1632-100	1.0	10.8	25.0	95	15.9			1632																								1086	8-Φ10-16	β=95° γ=30°	2:1	4500	Y	Y	7.30	550		
WTY1-1632-125	1.25	13.6	34.0	119	19.9																											540										
WTY1-1632-150	1.5	16.3	40.0	143	23.9																																				540	
WTY1-1632-160	1.6	17.4		153	25.5						550																															
WTY1-1632-175	1.75	19.0		167	27.8								1632	1086	8-Φ10-16		β=95° γ=30°								2:1	4500						Y									Y	7.30
WTY1-1632-200	2.0	21.7	50.0	191	31.8	1632			1086		8-Φ10-16			β=95° γ=30°		2:1								4500			Y	Y	7.30	550												
WTY1-1632-250	2.5	27.2	62.5	239	39.8		1632	1086	8-Φ10-16	β=95° γ=30°		2:1						4500	Y	Y	7.30	550																				

OUTLINE DRAWING DIMENSIONS

Capacity(kg)	Elevator Speed (m/s)	D1	D2	D3	D4	D5	D6	W1	W2	W3	W4	H1	H2	H3	H4	ΦD1
680	1.0-2.5	76	29	217	309	90	190	350	560	110	695	750	235	290	30	370
884	1.0-2.5															
1088	1.0-1.75	84	29	223.5	334.5	90	190	350	560	110	695	750	235	290	30	370
	1.0-2.5															
1150	1.0-2.5	181	110.5	290.5	436	122.5	215	380	600	111.5	714	825	239	290	30	550
1360	1.0-2.5															
1632	1.0-2.5															
1632	1.0-2.5															

SWTY1 SERIES MACHINES



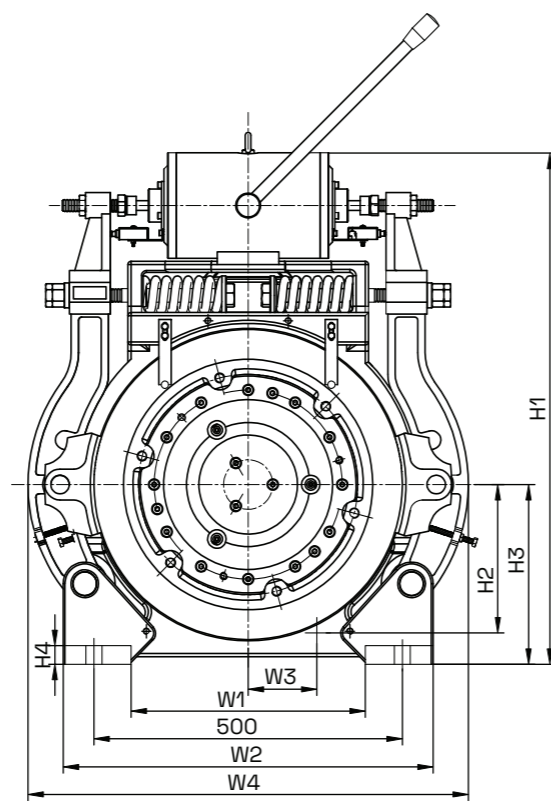
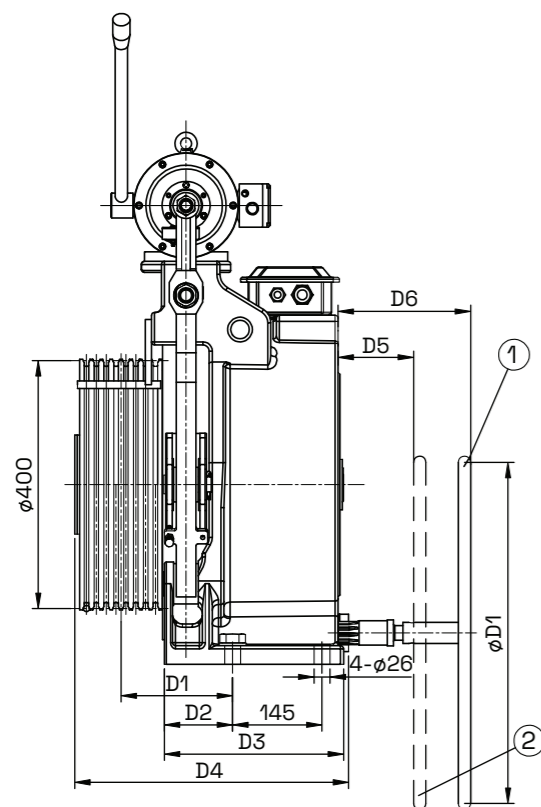
Capacity	450kg-800kg
Wrap	Single wrap
Rotor	External rotor
Undercut	U
Foot Pad Flatness	<0.5mm
Protection Rating	IP40
Insulation Class	F
Poles	20
Duty Cycle	S5-40%
Motor Rated Voltage	AC380V
Brake	Drum
Picking/Holding Voltage	AC110V/DC110V

Full-wave rectification power source for DC brake

Model	Capacity kg	Elevator Speed m/s	Rated Output kW	Rated Current A	Rated Speed rpm	Frequency Hz	Sheave Diameter mm	Torque Nm	Ropes	Groove Angle	Roping	Shaft Load kg	Handle Wheel	Remote Release	Inertia kg m ²	Weight kg
SWTY1-450-100	450	1.0	2.9	9.0	48	8.0	400	571	5-Φ10-16	β=95° γ=30°	1:1	3000	Y	Y	3.77	330
SWTY1-450-150		1.5	4.3		72	11.9										
SWTY1-450-160		1.6	4.6	13.0	76	12.7										
SWTY1-450-175		1.75	5.0		84	13.9										
SWTY1-630-100	630	1.0	4.0	12.0	48	8.0	400	799	6-Φ10-16	β=95° γ=30°	1:1	4500	Y	Y	7.3	505
SWTY1-630-150		1.5	6.0		72	11.9										
SWTY1-630-160		1.6	6.4	18.0	76	12.7										
SWTY1-630-175		1.75	7.0		84	13.9										
SWTY1-800-100	800	1.0	5.1	12.0	48	8.0	400	1015	8-Φ10-16	β=95° γ=30°	1:1	4500	Y	Y	7.3	515
SWTY1-800-150		1.5	7.6		72	11.9										
SWTY1-800-160		1.6	8.1	19.0	76	12.7										
SWTY1-800-175		1.75	8.9		84	13.9										
SWTY1-800-200		2.0	10.2	25.0	95	15.9										
SWTY1-800-250		2.5	12.7	29.0	119	19.9										

Notes:

1. The SWTY1 series balance ratio is 0.42~0.5.
2. Brake are AC110V and DC110V optional, other brake voltage please consult engineers.
3. AC brake is equipped with controller, step-down transformer is not required. DC brake requires step-down transformer in cabinet to guarantee holding voltage is 50% of picking voltage.
4. Regen drive application, please consult with us, then order with notes.
5. The brakes that meet GB/T 7588.1 are slightly difference from the pictures.

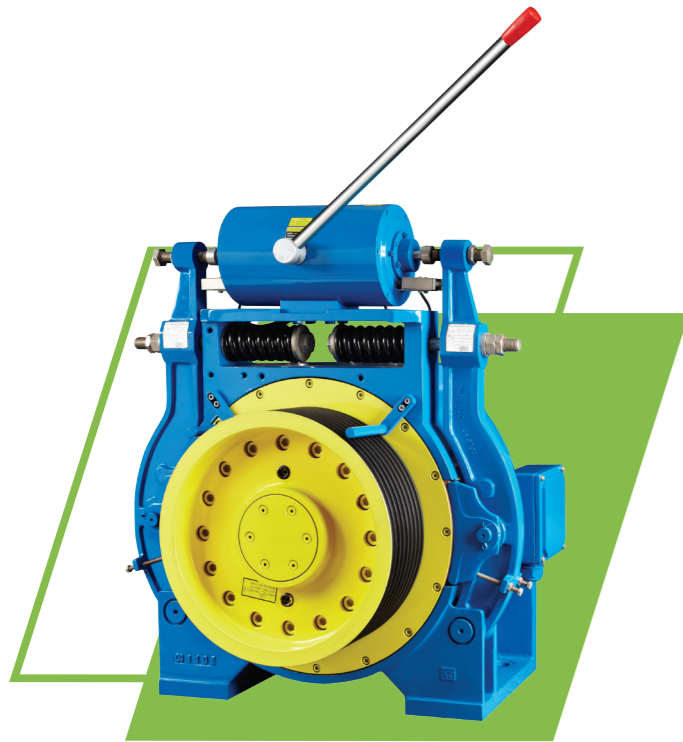


- ① Original Position
② Operation Position

OUTLINE DRAWING DIMENSIONS

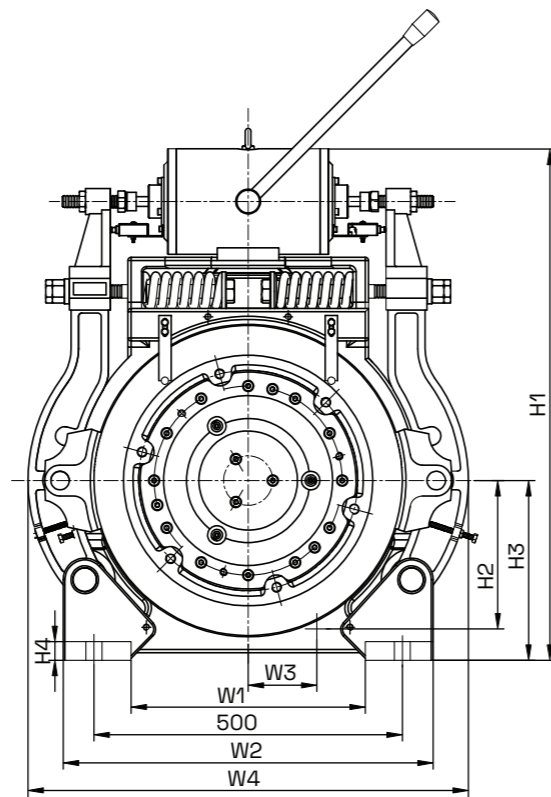
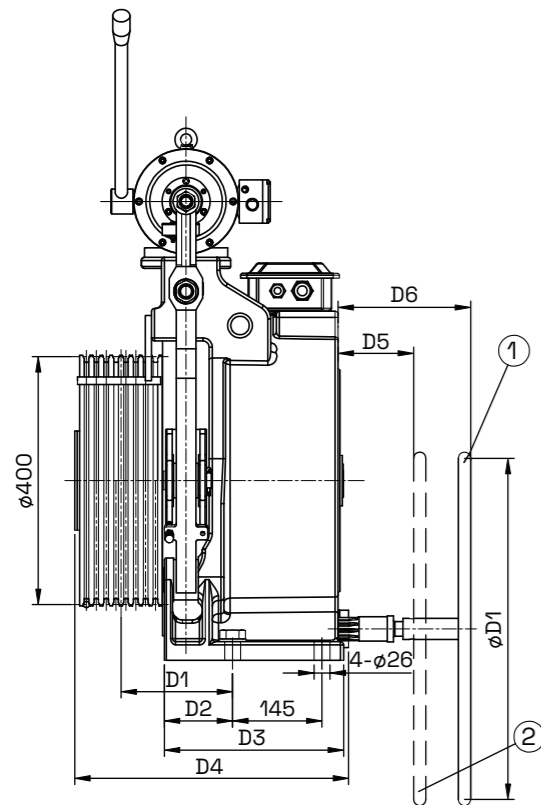
Capacity (kg)	Elevator Speed (m/s)	D1	D2	D3	D4	D5	D6	W1	W2	W3	W4	H1	H2	ΦD1
450	1.0-1.75	76	29	217	309	90	190	350	560	110	695	750	235	370
630		181	110.5	291	436	122.5	215	380	600	111.5	714	825	239	550
800	1.0-2.5													

SWTY1 SERIES MACHINES - ALTERNATIVE MARKETS



Capacity	545kg-884kg
Wrap	Single wrap
Rotor	External rotor
Undercut	U
Foot Pad Flatness	<0.5mm
Protection Rating	IP40
Insulation Class	F
Poles	20
Duty Cycle	S5-40%
Motor Rated Voltage	AC380V
Brake	Drum
Picking/Holding Voltage	AC110V/DC110V

Full-wave rectification power source for DC brake



① Original Position
② Operation Position

Model	Capacity kg	Elevator Speed m/s	Rated Output kW	Rated Current A	Rated Speed rpm	Frequency Hz	Sheave Diameter mm	Torque Nm	Ropes	Groove Angle $\beta=95^\circ$ $\gamma=30^\circ$	Roping	Shaft Load kg	Handle Wheel	Remote Release	Inertia kg m ²	Weight kg
SWTY1-545-100	545	1.0	3.6	12.0	48	8.0	400	712	6- Φ 10-16	$\beta=95^\circ$ $\gamma=30^\circ$	1:1	4500	Y	Y	7.3	505
SWTY1-545-150		1.5	5.3		72	11.9										
SWTY1-545-160		1.6	5.7	18.0	76	12.7										
SWTY1-545-175		1.75	6.2		84	13.9										
SWTY1-680-100	680	1.0	4.4	14.0	48	8.0	400	889	6- Φ 10-16	$\beta=95^\circ$ $\gamma=30^\circ$	1:1	4500	Y	Y	7.3	520
SWTY1-680-150		1.5	6.7		72	11.9										
SWTY1-680-160		1.6	7.1	18.0	76	12.7										
SWTY1-680-175		1.75	7.8		84	13.9										
SWTY1-884-100	884	1.0	5.3	13.0	48	8.0	400	1059	8- Φ 10-16	$\beta=95^\circ$ $\gamma=30^\circ$	1:1	4500	Y	Y	7.3	540
SWTY1-884-150		1.5	7.9		72	11.9										
SWTY1-884-160		1.6	8.5	20.0	76	12.7										
SWTY1-884-175		1.75	9.3		84	13.9										
SWTY1-884-200		2.0	10.6	26.0	95	15.9										
SWTY1-884-250		2.5	13.2	30.0	119	19.9										

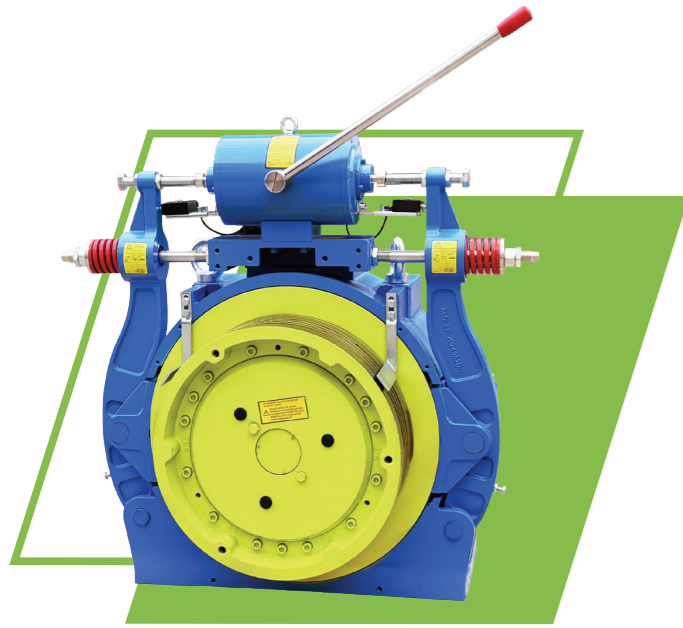
Notes:

1. The SWTY1 series balance ratio is 0.45~0.5.
2. Brake are AC110V and DC110V optional, other brake voltage please consult engineers.
3. AC brake is equipped with controller, step-down transformer is not required. DC brake requires step-down transformer in cabinet to guarantee holding voltage is 50% of picking voltage.
4. Regen drive application, please consult with us, then order with notes.
5. The rating table pertains to markets that establish a standard of 68 kilograms per person for the calculation of elevator capacity.

OUTLINE DRAWING DIMENSIONS

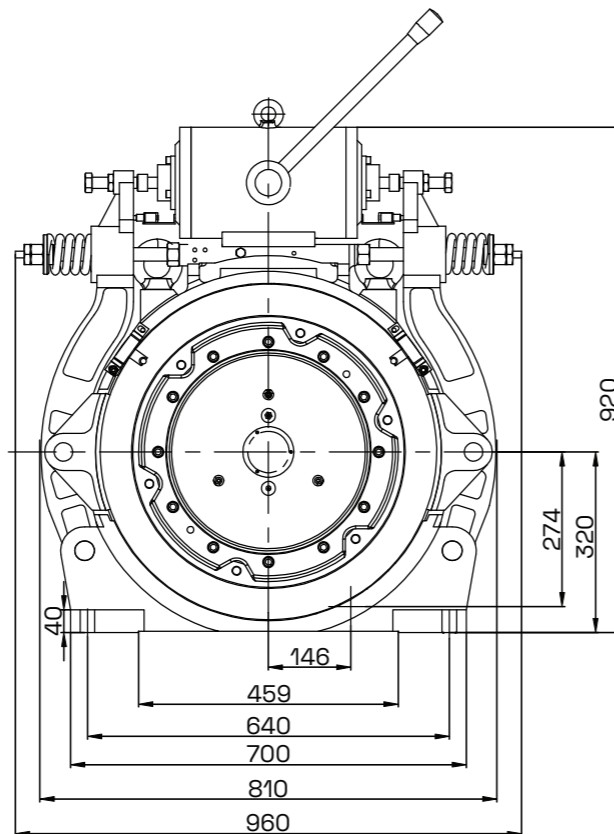
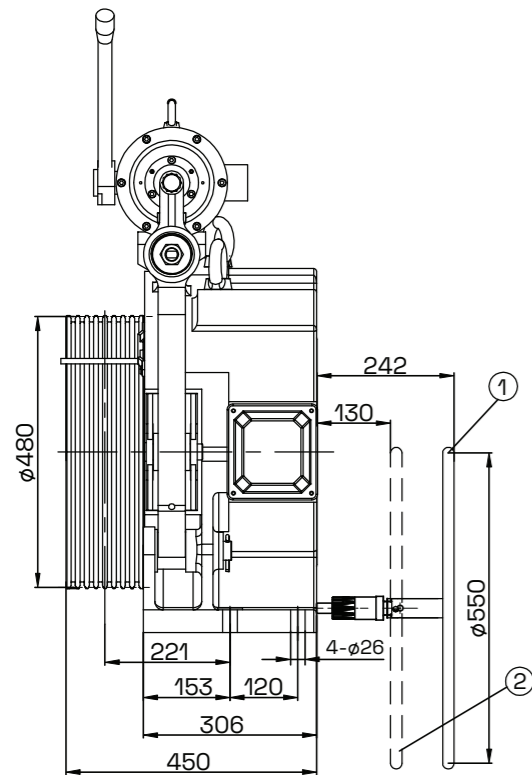
Capacity (kg)	Elevator Speed (m/s)	D1	D2	D3	D4	D5	D6	W1	W2	W3	W4	H1	H2	Φ D1
545	1.0-1.75	181	110.5	291	436	122.5	215	380	600	111.5	714	825	239	550
680														
884	1.0-2.5													

WTY1/SWTY1 (480mm SHEAVE) SERIES MACHINES



Capacity	800kg-2000kg
Wrap	Single wrap
Rotor	External rotor
Undercut	U
Foot Pad Flatness	<0.5mm
Protection Rating	IP40
Insulation Class	F
Poles	32
Duty Cycle	S5-40%
Motor Rated Voltage	AC380V
Brake	Drum
Picking/Holding Voltage	AC110V/DC110V

Full-wave rectification power source for DC brake



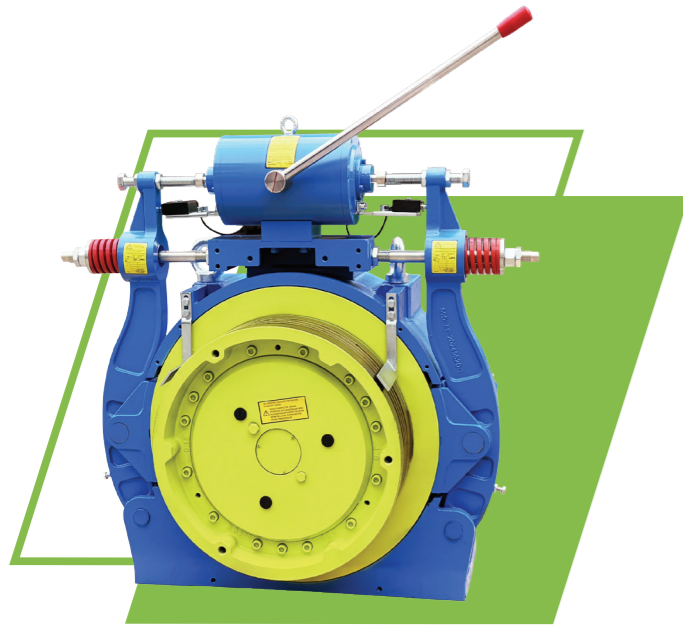
① Original Position
② Operation Position

Model	Capacity kg	Elevator Speed m/s	Rated Output kW	Rated Current A	Rated speed rpm	Frequency Hz	Sheave Diameter mm	Torque Nm	Ropes	Groove Angle $\beta=95^\circ$ $\gamma=30^\circ$	Roping	Shaft Load kg	Handle Wheel	Remote Release	Inertia kg m ²	Weight kg
WTY1-1600-100(480)	1600	1.0	10.6	25.0	80	21.2	480	1277	7- Φ 12-18	$\beta=95^\circ$ $\gamma=30^\circ$	2:1	5500	Y	Y	12	660
WTY1-1600-150(480)		1.5	16.0	40.0	119	31.8										
WTY1-1600-160(480)		1.6	17.0		127	34.0										
WTY1-1600-175(480)		1.75	18.6	45.0	139	37.1										
WTY1-1600-200(480)		2.0	21.3		159	42.4										
WTY1-1600-250(480)		2.5	26.6	59.0	199	53.1										
WTY1-2000-100(480)	2000	1.0	13.3	31.0	80	21.2	480	1596	7- Φ 12-18	$\beta=95^\circ$ $\gamma=30^\circ$	2:1	5500	Y	Y	12	690
WTY1-2000-150(480)		1.5	20.0	47.0	119	31.8										
WTY1-2000-160(480)		1.6	21.3		127	34.0										
WTY1-2000-175(480)		1.75	23.3	55.5	139	37.1										
WTY1-2000-200(480)		2.0	26.6		159	42.4										
WTY1-2000-250(480)		2.5	33.3	71.0	199	53.1										
SWTY1-800-100(480)	800	1.0	4.9	14.0	40	10.6	480	1171	7- Φ 12-18	$\beta=95^\circ$ $\gamma=30^\circ$	1:1	5500	Y	Y	11.50	660
SWTY1-800-150(480)		1.5	7.8	20.0	60	15.9										
SWTY1-800-160(480)		1.6	8.4		64	17.0										
SWTY1-800-175(480)		1.75	9.1	25.0	70	18.6										
SWTY1-800-200(480)		2.0	10.5		80	21.2										
SWTY1-800-250(480)		2.5	13.1	30.0	99	26.5										
SWTY1-1000-100(480)	1000	1.0	6.5	17.0	40	10.6	480	1568	7- Φ 12-18	$\beta=95^\circ$ $\gamma=30^\circ$	1:1	5500	Y	Y	12	690
SWTY1-1000-150(480)		1.5	9.8	26.0	60	15.9										
SWTY1-1000-160(480)		1.6	10.5		64	17.0										
SWTY1-1000-175(480)		1.75	11.4	29.0	70	18.6										
SWTY1-1000-200(480)		2.0	13.1		80	21.2										
SWTY1-1000-250(480)		2.5	16.3	35.0	99	26.5										
★ SWTY1-1150-100(480)	1150	1.0	6.5	17.0	40	10.6	480	1570	7- Φ 12-18	$\beta=95^\circ$ $\gamma=30^\circ$	1:1	5500	Y	Y	12	690
★ SWTY1-1150-150(480)		1.5	9.8	26.0	60	15.9										
★ SWTY1-1150-160(480)		1.6	10.5		64	17.0										
★ SWTY1-1150-175(480)		1.75	11.5	29.0	70	18.6										
★ SWTY1-1150-200(480)		2.0	13.1		80	21.2										
★ SWTY1-1150-250(480)		2.5	16.4	35.0	99	26.5										

Notes:

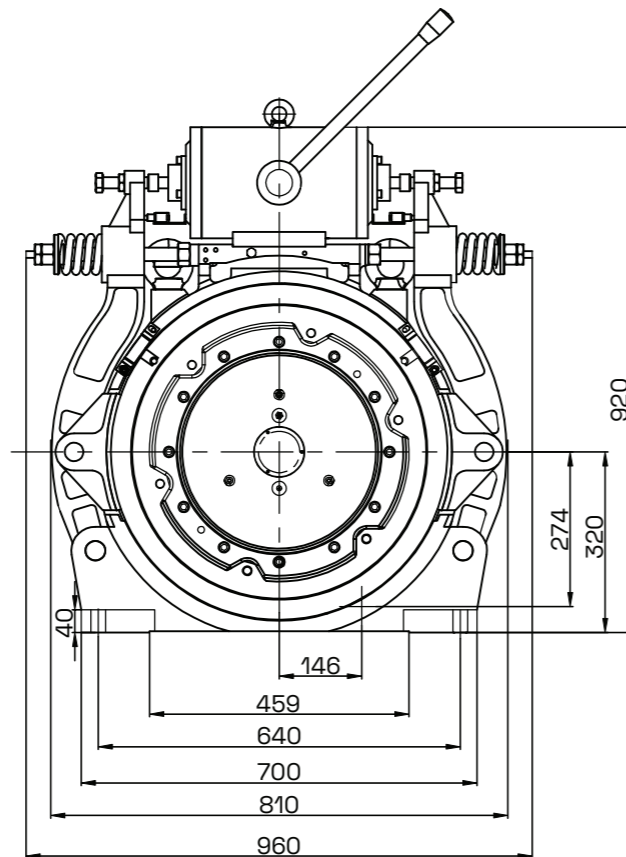
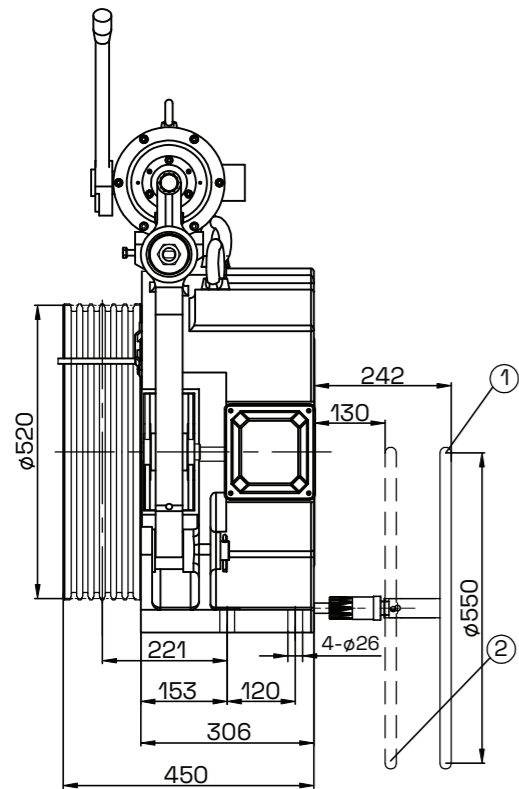
1. With "★" mark, the balance ratio is 0.48~0.5.
2. Brake are AC110V and DC110V optional, other brake voltage please consult engineers.
3. AC brake is equipped with controller, step-down transformer is not required. DC brake requires step-down transformer in cabinet to guarantee holding voltage is 50% of picking voltage.
4. Regen drive application, please consult with us, then order with notes.
5. The brakes that meet GB/T 7588.1 are slightly difference from the pictures.
6. For alternative markets, we can supply this series machine with Φ 10mm ropes, groove distance is 16mm and the max quantity is 8.

WTY1/SWTY1 (520mm SHEAVE) SERIES MACHINES



Capacity	800kg-2000kg
Wrap	Single wrap
Rotor	External rotor
Undercut	U
Foot Pad Flatness	<0.5mm
Protection Rating	IP40
Insulation Class	F
Poles	32
Duty Cycle	S5-40%
Motor Rated Voltage	AC380V
Brake	Drum
Picking/Holding Voltage	AC110V/DC110V

Full-wave rectification power source for DC brake



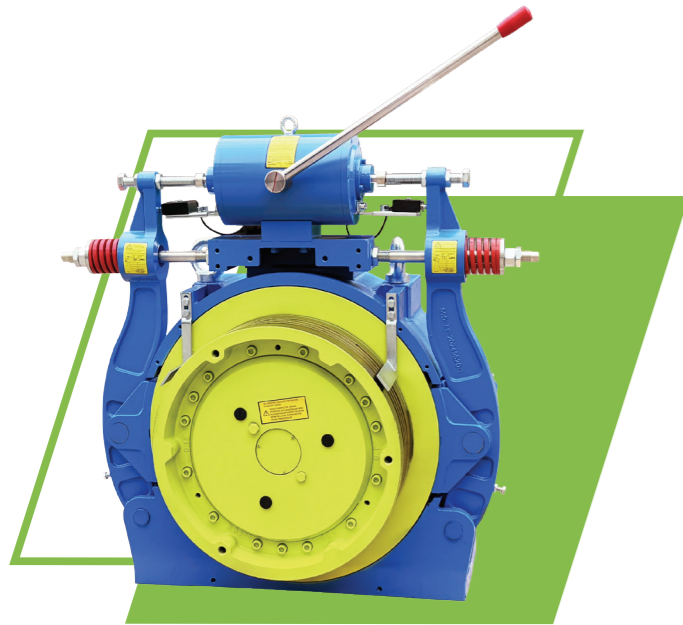
① Original Position
② Operation Position

Model	Capacity kg	Elevator Speed m/s	Rated Output kW	Rated Current A	Rated Speed rpm	Frequency Hz	Sheave Diameter mm	Torque Nm	Ropes	Groove Angle	Roping	Shaft Load kg	Handle Wheel	Remote Release	Inertia kg m ²	Weight kg
WTY1-1600-100(520)	1600	1.0	10.6	27	73	19.6	520	1384	6-Φ13-20	β=95° γ=30°	2:1	5500	Y	Y	11.5	690
WTY1-1600-150(520)		1.5	16.0		110	29.4										
WTY1-1600-160(520)		1.6	17.0	42	118	31.3										
WTY1-1600-175(520)		1.75	18.6		129	34.3										
WTY1-1600-200(520)		2.0	21.3	47	147	39.2										
WTY1-1600-250(520)		2.5	26.6	59	184	49.0						5000				
WTY1-2000-100(520)	2000	1.0	13.3	33	73	19.6	520	1729	6-Φ13-20	β=95° γ=30°	2:1	5500	Y	N	12	730
WTY1-2000-150(520)		1.5	20.0		110	29.4										
WTY1-2000-160(520)		1.6	21.3	48	118	31.3										
WTY1-2000-175(520)		1.75	23.3		129	34.3										
WTY1-2000-200(520)		2.0	26.6	55	147	39.2										
WTY1-800-100(520)		800	1.0	5.2	15	37										
WTY1-800-150(520)	1.5		7.8		55	14.7										
WTY1-800-160(520)	1.6		8.4	20	59	15.7										
WTY1-800-175(520)	1.75		9.1		64	17.1										
WTY1-800-200(520)	2.0		10.5	27	73	19.6										
WTY1-800-250(520)	2.5		13.1	30	92	24.5										
SWTY1-1000-100(520)	1000	1.0	6.1	18	37	9.8	520	1585	6-Φ13-20	β=95° γ=30°	1:1	5500	Y	N	12	730
SWTY1-1000-150(520)		1.5	9.8		55	14.7										
SWTY1-1000-160(520)		1.6	10.5	28	59	15.7										
SWTY1-1000-175(520)		1.75	11.4		64	17.1										
SWTY1-1000-200(520)		2.0	13.1	30	73	19.6										
SWTY1-1000-250(520)		2.5	16.3	36	92	24.5										
★ SWTY1-1150-150(520)	1150	1.5	9.8		55	14.7	520	1700	6-Φ13-20	β=95° γ=30°	1:1	5500	Y	N	12	730
★ SWTY1-1150-160(520)		1.6	10.5	28	59	15.7										
★ SWTY1-1150-175(520)		1.75	11.4		64	17.1										
★ SWTY1-1150-200(520)		2.0	13.1	30	73	19.6										
★ SWTY1-1150-250(520)		2.5	16.3	36	92	24.5										

Notes:

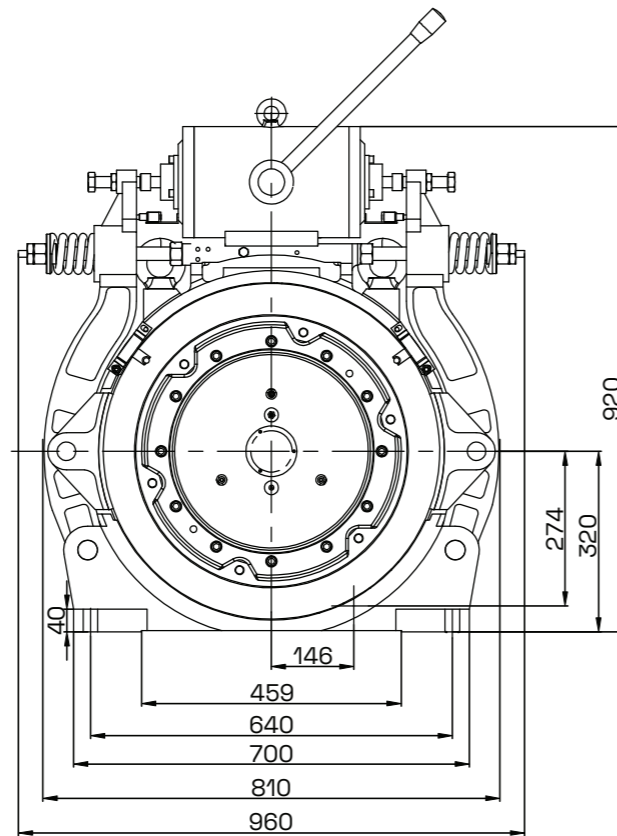
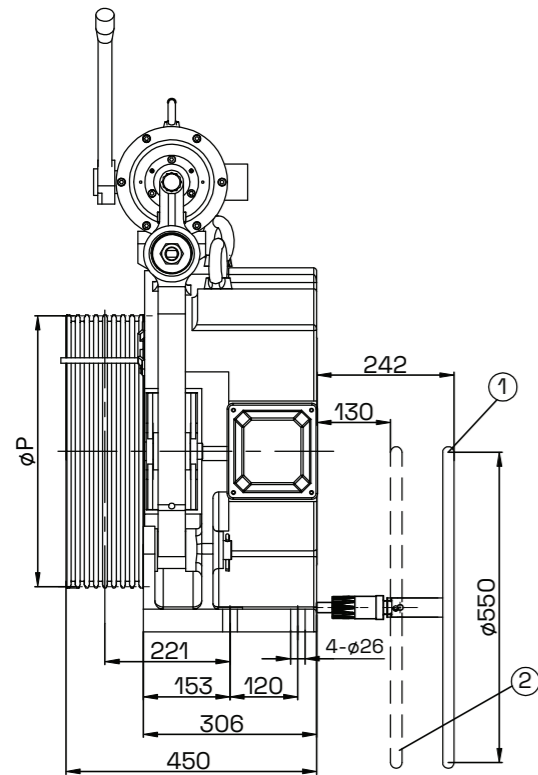
1. With "★" mark, the balance ratio is 0.48~0.5.
2. Brake are AC110V and DC110V optional, other brake voltage please consult engineers.
3. AC brake is equipped with controller, step-down transformer is not required. DC brake requires step-down transformer in cabinet to guarantee holding voltage is 50% of picking voltage.
4. Regen drive application, please consult with us, then order with notes.
5. The brakes that meet GB/T 7588.1 are slightly difference from the pictures.

WTY1/SWTY1 SERIES MACHINES - ALTERNATIVE MARKETS



Capacity	1020kg-1768kg
Wrap	Single wrap
Rotor	External rotor
Undercut	U
Foot Pad Flatness	<0.5mm
Protection Rating	IP40
Insulation Class	F
Poles	32
Duty Cycle	S5-40%
Motor Rated Voltage	AC380V
Brake	Drum
Picking/Holding Voltage	AC110V/DC110V

Full-wave rectification power source for DC brake



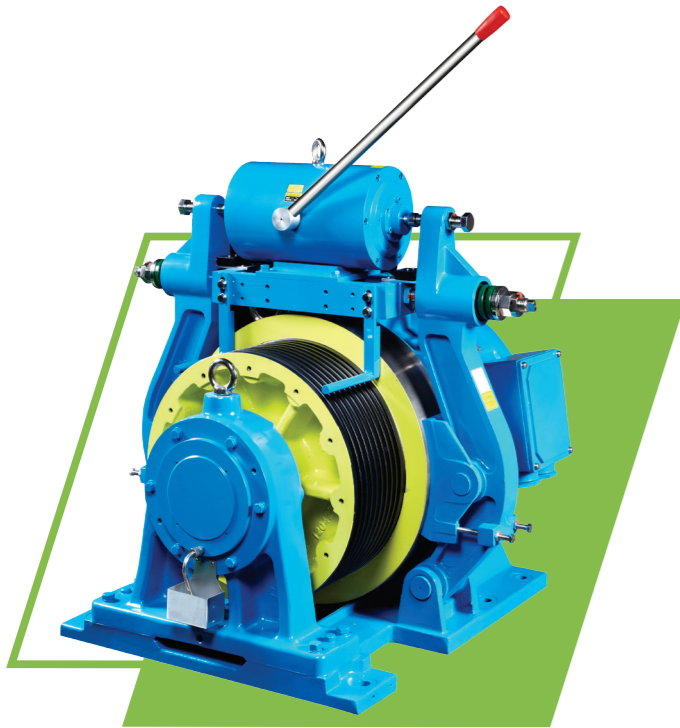
① Original Position
② Operation Position

Model	Capacity kg	Elevator Speed m/s	Rated Output kW	Rated Current A	Rated Speed rpm	Frequency Hz	Sheave Diameter mm	Torque Nm	Ropes	Groove Angle	Roping	Shaft Load kg	Handle Wheel	Remote Release	Inertia kg m ²	Weight kg
WTY1-1768-100(480)	1768	1.0	11.8	28	80	21.2	480	1411	8-Φ10-16	β=95° γ=30°	2:1	5500	Y	Y	12	690
WTY1-1768-150(480)		1.5	17.6		119	31.8										
WTY1-1768-160(480)		1.6	18.8	45	127	34.0										
WTY1-1768-175(480)		1.75	20.6		139	37.1										
WTY1-1768-200(480)		2.0	23.5	49	159	42.4										
WTY1-1768-250(480)		2.5	29.4	62	199	53.1										
SWTY1-1020-100(480)	1020	1.0	6.5	17	40	10.6	480	1568	8-Φ10-16	β=95° γ=30°	1:1	5500	Y	Y	12	690
SWTY1-1020-150(480)		1.5	9.8		60	15.9										
SWTY1-1020-160(480)		1.6	10.5	26	64	17.0										
SWTY1-1020-175(480)		1.75	11.4		70	18.6										
SWTY1-1020-200(480)		2.0	13.1	29	80	21.2										
SWTY1-1020-250(480)		2.5	16.3	35	99	26.5										
WTY1-1088-100(480)	1088	1.0	6.5	17	40	10.6	480	1568	8-Φ10-16	β=95° γ=30°	1:1	5500	Y	Y	12	690
WTY1-1088-150(480)		1.5	9.8		60	15.9										
WTY1-1088-160(480)		1.6	10.5	26	64	17.0										
WTY1-1088-175(480)		1.75	11.4		70	18.6										
WTY1-1088-200(480)		2.0	13.1	29	80	21.2										
WTY1-1088-250(480)		2.5	16.3	35	99	26.5										
WTY1-1768-100(520)	1768	1.0	11.8	30	73	19.6	520	1529	6-Φ13-20	β=95° γ=30°	2:1	5500	Y	Y	12	730
WTY1-1768-150(520)		1.5	17.6		110	29.4										
WTY1-1768-160(520)		1.6	18.8	46	118	31.3										
WTY1-1768-175(520)		1.75	20.6		129	34.3										
WTY1-1768-200(520)		2.0	23.5	50	147	39.2										
WTY1-1768-250(520)		2.5	29.4	65	184	49.0										
SWTY1-1020-100(520)	1020	1.0	6.1	18	37	9.8	520	1585	6-Φ13-20	β=95° γ=30°	1:1	5500	Y	Y	12	730
SWTY1-1020-150(520)		1.5	9.8		55	14.7										
SWTY1-1020-160(520)		1.6	10.5	28	59	15.7										
SWTY1-1020-175(520)		1.75	11.4		64	17.1										
SWTY1-1020-200(520)		2.0	13.1	30	73	19.6										
SWTY1-1020-250(520)		2.5	16.3	36	92	24.5										
SWTY1-1088-100(520)	1088	1.0	6.5	18	37	9.8	520	1699	6-Φ13-20	β=95° γ=30°	1:1	5500	Y	Y	12	730
SWTY1-1088-150(520)		1.5	9.8		55	14.7										
SWTY1-1088-160(520)		1.6	10.5	28	59	15.7										
SWTY1-1088-175(520)		1.75	11.4		64	17.1										
SWTY1-1088-200(520)		2.0	13.1	30	73	19.6										
SWTY1-1088-250(520)		2.5	16.3	36	92	24.5										

Notes:

1. Brake are AC110V and DC110V optional, other brake voltage please consult engineers.
2. AC brake is equipped with controller, step-down transformer is not required. DC brake requires step-down transformer in cabinet to guarantee holding voltage is 50% of picking voltage.
3. Regen drive application, please consult with us, then order with notes.
4. The rating table pertains to markets that establish a standard of 68 kilograms per person for the calculation of elevator capacity.

WTY2/SWTY2 SERIES MACHINES



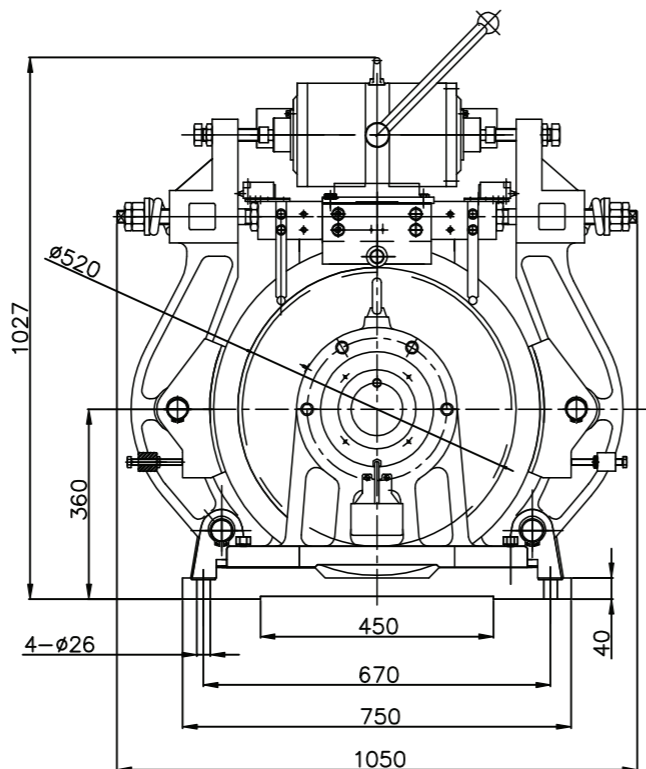
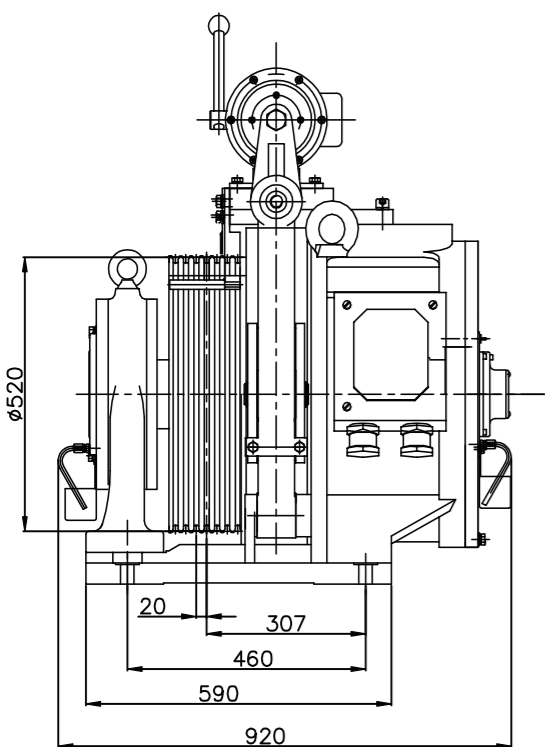
Capacity	1000kg-4000kg
Wrap	Single wrap
Rotor	Internal rotor
Undercut	U
Foot Pad Flatness	<0.5mm
Protection Rating	IP40
Insulation Class	F
Duty Cycle	S5-40%
Motor Rated Voltage	AC380V
Brake	Drum
Picking/Holding Voltage	DC110V/AC220V

Full-wave rectification power source for brake

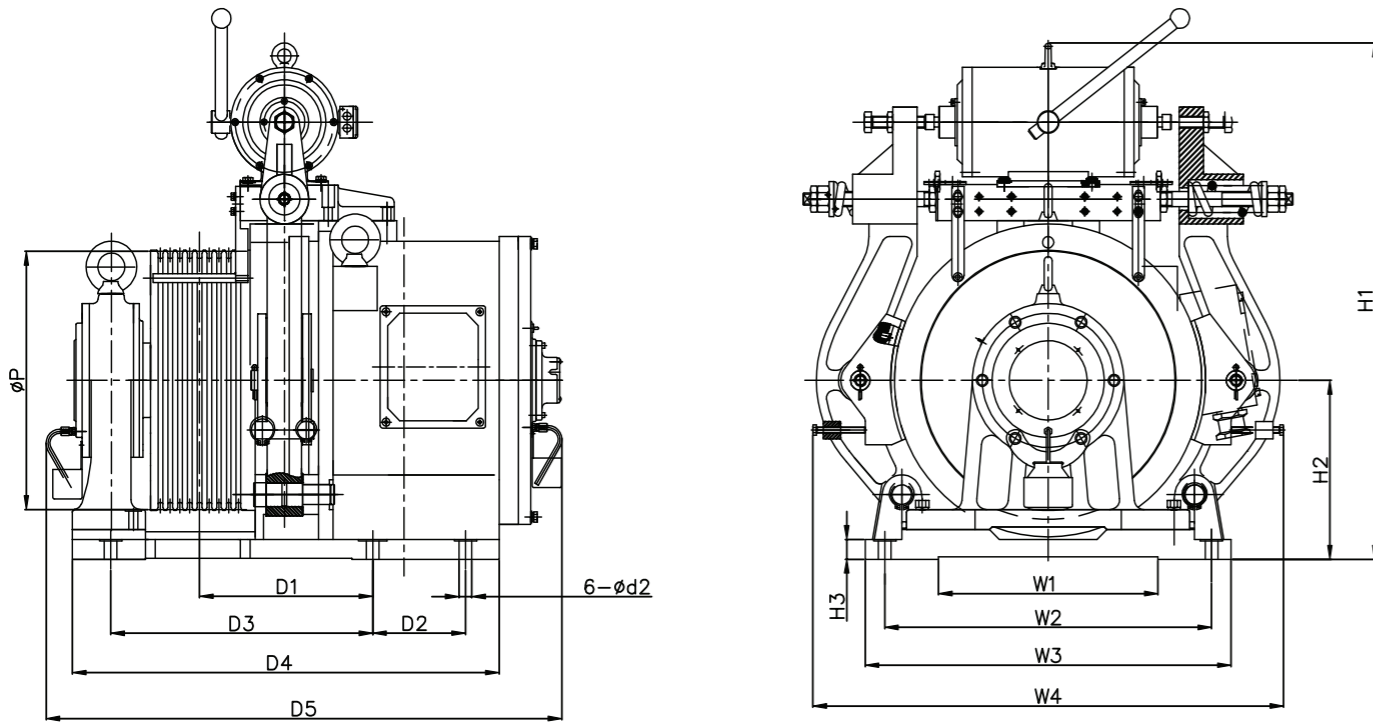
Model	Capacity kg	Elevator Speed m/s	Rated Output kW	Rated Current A	Rated Speed rpm	Frequency Hz	Sheave Diameter mm	Poles 2p	Torque Nm	Ropes	Groove Angle $\beta=95^\circ$ $\gamma=30^\circ$	Roping	Shaft Load kg	Handle Wheel	Remote Release	Inertia kg m ²	Weight kg
WTY2-1600-100	1600	1.0	11.0	25	73	12.2	520	20	1400	5- Φ 13-20	$\beta=95^\circ$ $\gamma=30^\circ$	2:1	10000	Y	N	10.90	1150
WTY2-1600-150		1.5	16.5	40	110	18.4											
WTY2-1600-160		1.6	17.6	42	118	19.6											
WTY2-1600-175		1.75	19.3	42	129	21.4											
WTY2-1600-200		2.0	22.0	50	147	24.5											
WTY2-1600-250		2.5	27.6	60	184	30.6											
WTY2-2000-100	2000	1.0	13.5	32	73	12.2	520	20	1799	6- Φ 13-20	$\beta=95^\circ$ $\gamma=30^\circ$	2:1	10000	N	N	12.20	1250
WTY2-2000-150		1.5	20.6	50	110	18.4											
WTY2-2000-160		1.6	22.0	51	118	19.6											
WTY2-2000-175		1.75	24.0	51	129	21.4											
WTY2-2000-200		2.0	27.5	60	147	24.5											
WTY2-2000-250		2.5	34.5	75	184	30.6											
★ SWTY2-1000-100	1000	1.0	5.8	15	37	6.1	520	20	1499	6- Φ 13-20	$\beta=95^\circ$ $\gamma=30^\circ$	1:1	10000	N	N	13.4	1300
SWTY2-1000-150		1.5	10.1	28	55	9.2			1711							12.20	1250
SWTY2-1000-160		1.6	10.8	28	59	9.8											
SWTY2-1000-175		1.75	11.8	28	64	10.7											
SWTY2-1000-200		2.0	13.4	32	73	12.2											
SWTY2-1000-250		2.5	16.8	37	92	15.3											
SWTY2-1150-150	1150	1.5	10.9	28	55	9.2	520	20	1896	7- Φ 13-20	$\beta=95^\circ$ $\gamma=30^\circ$	1:1	10000	N	N	13.40	1300
SWTY2-1150-160		1.6	11.7	28	59	9.8											
SWTY2-1150-175		1.75	12.8	28	64	10.7											
SWTY2-1150-200		2.0	14.6	34	73	12.2											
SWTY2-1150-250		2.5	18.2	41	92	15.3											

Notes:

1. Brake are DC110V and AC220V, optional, other brake voltage please consult engineers.
2. AC brake is equipped with controller, step-down transformer is not required. DC brake requires step-down transformer in cabinet to guarantee holding voltage is 50% of picking voltage.
3. The parameters with "★" should be confirmed with engineers for overseas.
4. Regen drive application, please consult with us, then order with notes.
5. The brakes that meet GB/T 7588.1 are slightly difference from the pictures.



WTY2/SWTY2 SERIES MACHINES



OUTLINE DRAWING DIMENSIONS

Capacity (kg)	Elevator Speed (m/s)	Roping	D1	D2	D3	D4	D5	ΦP	W1	W2	W3	W4	H1	H2	H3	Φd2
2500-3000	1.0-2.5	2:1	355	190	537	874.5	1060	520	450	670	750	965	1100	360	40	26
3600-4000	1.0-2.5	2:1	411.5	340	640	1200	1350	640	260	822	912	1130	1200	444	50	34
1250-1600	1.0-2.5	1:1	355	190	537	874.5	1060	520	450	670	750	965	1100	360	40	26
2000	1.0-2.5	1:1	411.5	340	640	1200	1350	640	260	822	912	1130	1200	444	50	34

Notes:

1. Brake are AC220V and DC220V optional, other brake voltage please consult engineers.
2. The balance ratio is 0.45~0.5.
3. The parameters with "★" should be conformed with engineers for overseas.
4. AC brake is equipped with controller, step-down transformer is not required. DC brake requires step-down transformer in cabinet to guarantee holding voltage is 50% of picking voltage.
5. Regen drive application, please consult with us, then order with notes.
6. The brakes that meet GB/T 7588.1 are slightly difference from the pictures.

Model	Capacity kg	Elevator Speed m/s	Rated Output kW	Rated Current A	Rated Speed rpm	Frequency Hz	Sheave Diameter mm	Poles 2p	Torque Nm	Ropes	Groove Angle β=95° γ=30°	Roping	Shaft Load kg	Handle Wheel	Remote Release	Inertia kg m ²	Weight kg
WTY2-2500-100	2500	1.0	16.5	35.0	73	12.2	520	20	2145	8-Φ13-20	β=95° γ=30°	2:1	10000	N	N	16.4	1350
WTY2-2500-150		1.5	25.3	59.0	110	18.4			2194								
WTY2-2500-160		1.6	27.0	60.0	118	19.6			2199								
WTY2-2500-175		1.75	29.6	60.0	129	21.4			2210								
WTY2-2500-200		2.0	34.0	75.0	147	24.5			2236								
WTY2-2500-250		2.5	43.0	95.0	184	30.6											
WTY2-3000-100	3000	1.0	20.0	44.0	73	12.2	520	20	2600	9-Φ13-20	β=95° γ=30°	2:1	10000	N	N	17.9	1450
WTY2-3000-150		1.5	29.0	80.0	110	18.4			2519								
WTY2-3000-160		1.6	31.0	80.0	118	19.6			2526								
WTY2-3000-175		1.75	34.0	80.0	129	21.4			2535								
WTY2-3000-200		2.0	39.0	98.0	147	24.5			2548								
WTY2-3000-250		2.5	49.0	120.0	184	30.6											
WTY2-3600-100	3600	1.0	24.9	62.0	60	15.9	640	32	3985	7-Φ16-24	β=95° γ=30°	2:1	20000	N	N	34.1	2600
WTY2-3600-150		1.5	37.4	102.0	90	23.9											
WTY2-3600-160		1.6	39.8	102.0	95	25.5											
WTY2-3600-175		1.75	43.6	102.0	104	27.9											
WTY2-3600-200		2.0	49.8	120.0	119	31.8											
WTY2-3600-250		2.5	62.3	150.0	149	39.8											
WTY2-4000-100	4000	1.0	25.4	64.0	60	15.9	640	32	4058	7-Φ16-24	β=95° γ=30°	2:1	20000	N	N	34.1	2600
WTY2-4000-150		1.5	38.0	105.0	90	23.9											
WTY2-4000-160		1.6	40.6	105.0	95	25.5											
WTY2-4000-175		1.75	44.4	105.0	104	27.9											
WTY2-4000-200		2.0	50.7	122.0	119	31.8											
WTY2-4000-250		2.5	63.4	152.0	149	39.8											
★ SWTY2-1250-100	1250	1.0	7.3	18.5	37	6.1	520	20	1874	8-Φ13-20	β=95° γ=30°	1:1	10000	N	N	17.9	1450
★ SWTY2-1250-150		1.5	10.8	28.0	55	9.2			2061								
★ SWTY2-1250-160		1.6	11.6	28.0	59	9.8			2013								
★ SWTY2-1250-175		1.75	13.9	33.0	64	10.7			2061								
★ SWTY2-1250-200		2.0	15.5	35.0	73	12.2											
★ SWTY2-1250-250		2.5	19.8	44.0	92	15.3											
★ SWTY2-1350-100	1350	1.0	7.8	19.0	37	6.1	520	20	2023	8-Φ13-20	β=95° γ=30°	1:1	10000	N	N	16.4	1350
★ SWTY2-1350-150		1.5	11.7	30.0	55	9.2			2226								
★ SWTY2-1350-160		1.6	12.5	30.0	59	9.8											
★ SWTY2-1350-175		1.75	13.6	30.0	64	10.7											
★ SWTY2-1350-200		2.0	17.1	38.0	73	12.2											
★ SWTY2-1350-250		2.5	21.4	47.0	92	15.3											
★ SWTY2-1600-100	1600	1.0	9.3	21.0	37	6.1	520	20	2398	9-Φ13-20	β=95° γ=30°	1:1	10000	N	N	17.9	1450
★ SWTY2-1600-150		1.5	15.2	42.0	55	9.2			2638								
★ SWTY2-1600-160		1.6	16.2	42.0	59	9.8											
★ SWTY2-1600-175		1.75	17.8	42.0	64	10.7											
★ SWTY2-1600-200		2.0	20.3	45.0	73	12.2											
★ SWTY2-1600-250		2.5	25.4	60.0	92	15.3											
★ SWTY2-2000-100	2000	1.0	11.6	35.0	30	8.0	640	32	3689	7-Φ16-24	β=95° γ=30°	1:1	20000	N	N	34.1	2600
★ SWTY2-2000-150		1.5	19.0	62.0	45	12.0			4058								
★ SWTY2-2000-160		1.6	20.3	62.0	48	12.7											
★ SWTY2-2000-175		1.75	22.2	62.0	52	13.9											
★ SWTY2-2000-200		2.0	25.4	64.0	60	15.9											
★ SWTY2-2000-250		2.5	31.7	80.0	75	19.9											

WTYF2/SWTYF2 SERIES MACHINES



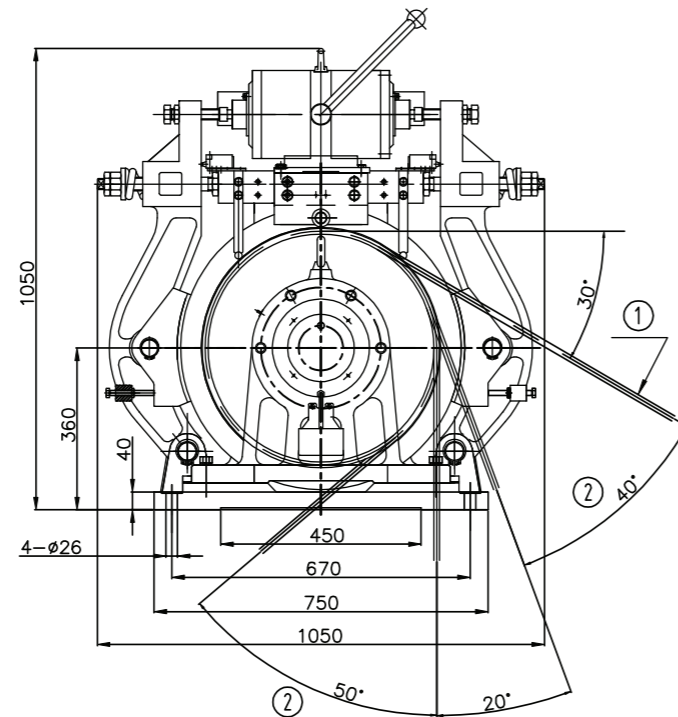
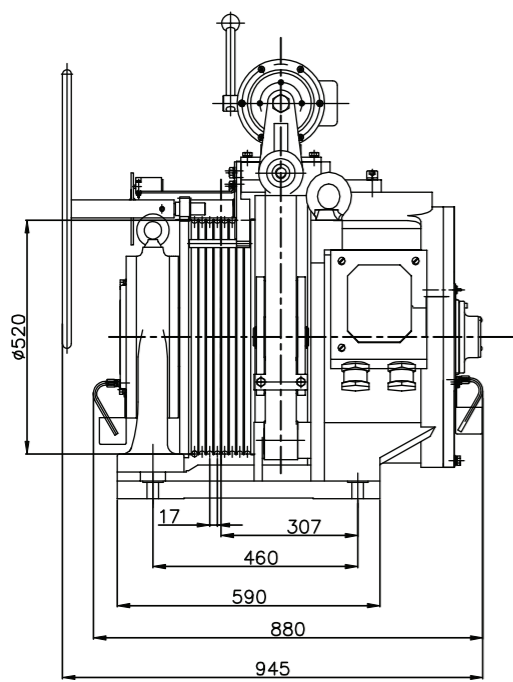
Capacity	1000kg-4000kg
Wrap	Single wrap
Rotor	Internal rotor
Undercut	U
Foot Pad Flatness	<0.5mm
Protection Rating	IP40
Insulation Class	F
Duty Cycle	S5-40%
Motor Rated Voltage	AC380V
Brake	Drum
Picking/Holding Voltage	DC110V/AC220V

Full-wave rectification power source for brake

Model	Capacity kg	Elevator Speed m/s	Rated Output kW	Rated Current A	Rated Speed rpm	Frequency Hz	Sheave Diameter mm	Poles 2p	Torque Nm	Ropes 4-Φ13-17	Groove Angle β=0° γ=25°	Roping 2:1	Shaft Load kg	Handle Wheel Y	Remote Release N	Inertia kg m ²	Weight kg
WTYF2-1000-300	1000	3.0	20.8	44.0	220	36.7	520	20	899	4-Φ13-17	β=0° γ=25°	2:1	12000	Y	N	10.10	1050
WTYF2-1000-350		3.5	24.2	51.0	257	42.8											
WTYF2-1000-400		4.0	27.7	60.0	294	49.0											
WTYF2-1150-300	1150	3.0	23.9	51.0	220	36.7	520	20	1034	4-Φ13-17	β=0° γ=25°	2:1	12000	Y	N	10.10	1050
WTYF2-1150-350		3.5	27.8	58.0	257	42.8											
WTYF2-1150-400		4.0	31.8	66.0	294	49.0											
WTYF2-1250-300	1250	3.0	25.9	56.0	220	36.7	520	20	1124	4-Φ13-17	β=0° γ=25°	2:1	12000	Y	N	10.90	1150
WTYF2-1250-350		3.5	30.3	64.0	257	42.8											
WTYF2-1250-400		4.0	34.6	73.0	294	49.0											
WTYF2-1350-300	1350	3.0	28.0	60.0	220	36.7	520	20	1214	4-Φ13-17	β=0° γ=25°	2:1	12000	Y	N	10.90	1150
WTYF2-1350-350		3.5	32.7	69.0	257	42.8											
WTYF2-1350-400		4.0	37.4	78.0	294	49.0											
WTYF2-1600-300	1600	3.0	33.2	70.0	220	36.7	520	20	1439	4-Φ13-17	β=0° γ=25°	2:1	12000	Y	N	12.20	1250
WTYF2-1600-350		3.5	38.7	80.0	257	42.8											
WTYF2-1600-400		4.0	44.3	92.0	294	49.0											

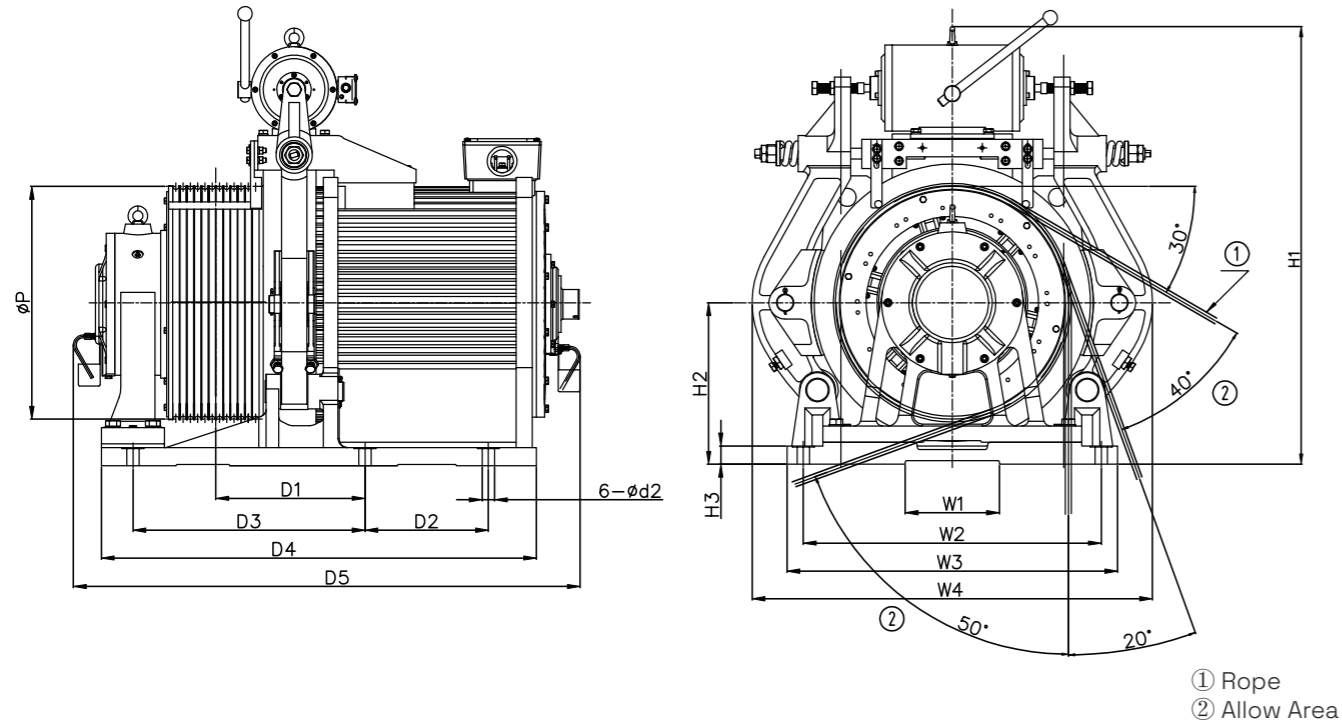
Notes:

1. Brake are DC110V and AC220V optional, other brake voltage please consult engineers.
2. AC brake is equipped with controller, step-down transformer is not required. DC brake requires step-down transformer in cabinet to guarantee holding voltage is 50% of picking voltage.
3. Regen drive application, please consult with us, then order with notes.
4. The brakes that meet GB/T 7588.1 are slightly difference from the pictures.



- ① Rope
② Allow Area

WTYF2/SWTYF2 SERIES MACHINES



OUTLINE DRAWING DIMENSIONS

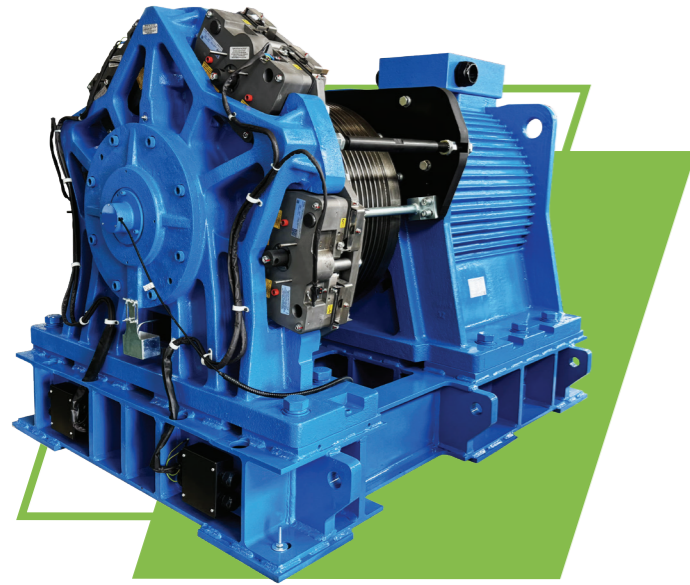
Capacity (kg)	Elevator Speed (m/s)	Roping	D1	D2	D3	D4	D5	ΦP	W1	W2	W3	W4	H1	H2	H3	Φd2
2000	3.0-4.0	2:1	326.5	145	530	794.5	1000	520	450	670	750	965	1000	360	40	26
2500-4000	3.0-4.0	2:1	411.5	340	640	1200	1350	640	260	822	912	1130	1200	444	50	34
1000-1150	3.0-6.0	1:1	326.5	145	530	794.5	1000	520	450	670	750	965	1000	360	40	26
1250	3.0-4.0															
1250	5.0-6.0	1:1	411.5	340	640	1200	1350	640	260	822	912	1130	1200	444	50	34
1350-1600	3.0-6.0															
1600	7.0-8.0	1:1	427.5	450	670	1340	1600	670	286	870	965	1104	1210	454	50	34
2000	3.0-8.0															

Model	Capacity	Elevator Speed	Rated Output	Rated Current	Rated Speed	Frequency	Sheave Diameter	Poles	Torque	Ropes	Groove Angle	Roping	Shaft Load	Handle Wheel	Remote Release	Inertia	Weight
	kg	m/s	kW	A	rpm	Hz	mm	2p	Nm		$\beta=0^\circ$ $\gamma=25^\circ$		kg			kg m ²	kg
WTYF2-2000-300	2000	3.0	41.5	92	220	36.7	520	20	1799	6-Φ13-17	$\beta=0^\circ$ $\gamma=25^\circ$	2:1	15000	N	N	18.8	1550
WTYF2-2000-350		3.5	48.4	106	257	42.9											
WTYF2-2000-400		4.0	55.3	121	294	49.0											
WTYF2-2500-300	2500	3.0	51.9	121	179	47.7	640	32	2767	5-Φ16-20	$\beta=0^\circ$ $\gamma=25^\circ$	2:1	20000	N	N	29.5	2400
WTYF2-2500-350		3.5	60.5	140	209	55.7											
WTYF2-2500-400		4.0	69.2	162	239	63.7											
WTYF2-3000-300	3000	3.0	62.3	145	179	47.7	640	32	3320	6-Φ16-20	$\beta=0^\circ$ $\gamma=25^\circ$	2:1	20000	N	N	31	2480
WTYF2-3000-350		3.5	72.6	170	209	55.7											
WTYF2-3000-400		4.0	83.0	195	239	63.7											
WTYF2-3600-300	3600	3.0	74.7	175	179	47.7	640	32	3985	6-Φ16-20	$\beta=0^\circ$ $\gamma=25^\circ$	2:1	20000	N	N	34.1	2600
WTYF2-3600-350		3.5	87.2	195	209	55.7											
WTYF2-3600-400		4.0	99.6	236	239	63.7											
WTYF2-4000-300	4000	3.0	76.1	178	179	47.7	640	32	4058	6-Φ16-20	$\beta=0^\circ$ $\gamma=25^\circ$	2:1	20000	N	N	34.1	2600
WTYF2-4000-350		3.5	88.8	208	209	55.7											
WTYF2-4000-400		4.0	101.5	240	239	63.7											
SWTYF2-1000-300	1000	3.0	19.6	56	110	18.4	520	20	1699	6-Φ13-17	$\beta=0^\circ$ $\gamma=25^\circ$	1:1	15000	N	N	18.8	1550
SWTYF2-1000-350		3.5	22.9		129	21.4											
SWTYF2-1000-400		4.0	26.1	64	147	24.5											
SWTYF2-1000-500		5.0	32.7	88	184	30.6											
SWTYF2-1000-600		6.0	39.2		220	36.7											
SWTYF2-1150-300	1150	3.0	22.5	64	110	18.4	520	20	1953	6-Φ13-17	$\beta=0^\circ$ $\gamma=25^\circ$	1:1	15000	N	N	18.8	1550
SWTYF2-1150-350		3.5	26.3		129	21.4											
SWTYF2-1150-400		4.0	30.1	74	147	24.5											
SWTYF2-1150-500		5.0	37.6	102	184	30.6											
SWTYF2-1150-600		6.0	45.1		220	36.7											
SWTYF2-1250-300	1250	3.0	24.5	70	110	18.4	520	20	2123	6-Φ13-17	$\beta=0^\circ$ $\gamma=25^\circ$	1:1	15000	N	N	18.8	1550
SWTYF2-1250-350		3.5	28.6		129	21.4											
SWTYF2-1250-400		4.0	32.7	80	147	24.5											
SWTYF2-1250-500		5.0	40.9	98	149	39.8											
SWTYF2-1250-600		6.0	49.0	112	179	47.8											
SWTYF2-1350-300LS	1350	3.0	26.5	64	90	23.9	640	32	2822	5-Φ16-20	$\beta=0^\circ$ $\gamma=25^\circ$	1:1	20000	N	N	29.5	2400
SWTYF2-1350-350LS		3.5	30.9	76	104	27.9											
SWTYF2-1350-400LS		4.0	35.3	86	119	31.8											
SWTYF2-1350-500		5.0	44.1	105	149	39.8											
SWTYF2-1350-600		6.0	52.9	120	179	47.8											
SWTYF2-1600-300	1600	3.0	31.4	75	90	23.9	640	32	3345	6-Φ16-20	$\beta=0^\circ$ $\gamma=25^\circ$	1:1	20000	N	N	31	2480
SWTYF2-1600-350		3.5	36.6	88	104	27.9											
SWTYF2-1600-400		4.0	41.8	100	119	31.8											
SWTYF2-1600-500		5.0	52.3	124	149	39.8											
SWTYF2-1600-600		6.0	62.7	146	179	47.8											
SWTYF2-1600-700		7.0	73.2	160	200	53.2											
SWTYF2-1600-800		8.0	83.7	180	228	60.8											
SWTYF2-2000-300	2000	3.0	39.2	90	86	22.8	670	32	4377	6-Φ16-20	$\beta=0^\circ$ $\gamma=25^\circ$	1:1	30000	N	N	37.8	3050
SWTYF2-2000-350		3.5	45.7	102	100	26.6											
SWTYF2-2000-400		4.0	52.3	120	114	30.4											
SWTYF2-2000-500		5.0	65.3	148	143	38.0											
SWTYF2-2000-600		6.0	78.4	180	171	45.6											
SWTYF2-2000-700		7.0	91.5	210	200	53.2											
SWTYF2-2000-800		8.0	104.5	235	228	60.8											

Notes:

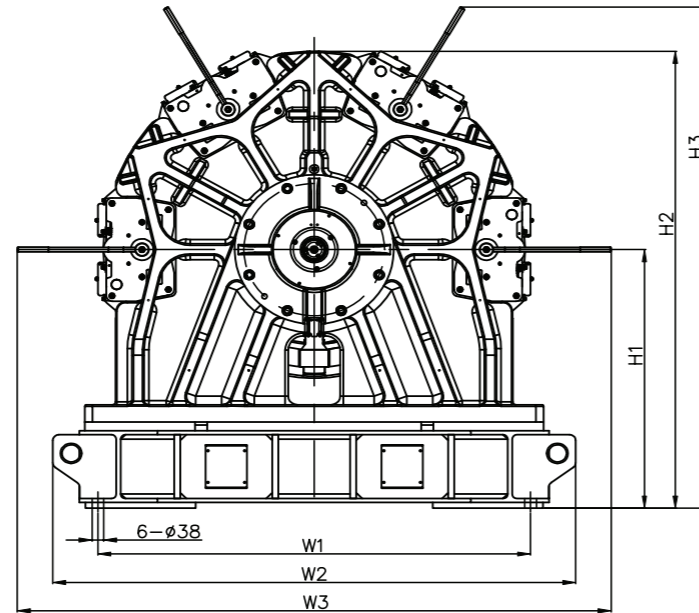
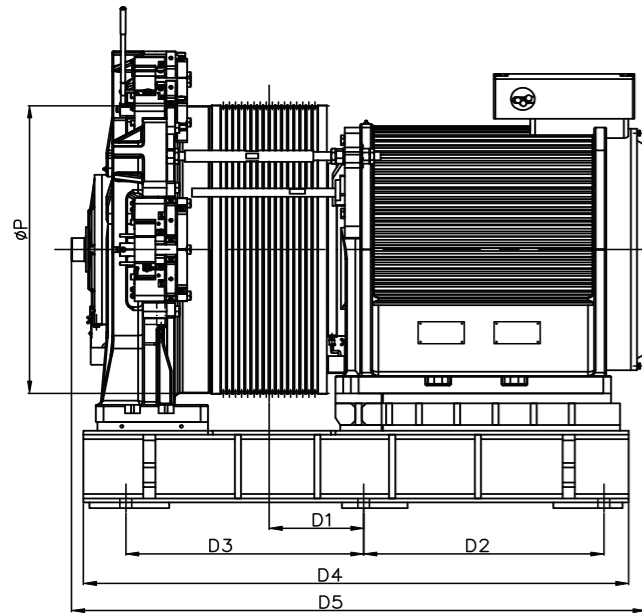
- WTYF2-4000 series balance ratio is 0.45~0.5.
- AC brake is equipped with controller, step-down transformer is not required. DC brake requires step-down transformer in cabinet to guarantee holding voltage is 50% of picking voltage.
- Regen drive application, please consult with us, then order with notes.
- The brakes that meet GB/T 7588.1 are slightly difference from the pictures.

WH SERIES MACHINES



Capacity	1600kg-6000kg
Wrap	Double wrap
Rotor	Internal rotor
Undercut	U
Poles	32
Foot Pad Flatness	<0.5mm
Protection Rating	IP40
Insulation Class	F
Duty Cycle	S5-40%
Motor Rated Voltage	AC380V
Brake	Drum
Picking/Holding Voltage	AC110V/DC110V

Full-wave rectification power source for DC brake



OUTLINE DRAWING DIMENSIONS

Capacity (kg)	Elevator Speed (m/s)	Roping	ΦP	D1	D2	D3	D4	D5	W1	W2	W3	H1	H2	H3	Φd
4000-5000	4.0-5.0	2:1	1000	309	785	778	1783	1879	1415	1710	1942	900	1590	1744	16
4500-6000	3.0-3.5		760			855	1810		1200	1486	1721	800	1411	1534	
1600-2500	8.0-12.0	1:1	1000	309	785	778	1783	1879	1415	1710	1942	900	1590	1744	16
2500-3000	4.0-7.0		760			855	1810		1200	1486	1721	800	1411	1534	

Model	Capacity kg	Elevator Speed m/s	Rated Output kW	Rated Current A	Rated Speed rpm	Frequency Hz	Sheave Diameter mm	Torque Nm	Ropes	Groove Angle β=0° γ=25°	Roping	Shaft Load kg	Handle Wheel N	Remote Release N	Inertia kg m ²	Weight kg		
WH-4000-500	4000	5.0	133.0	293	191	50.9	1000	6652	9-Φ16-20	β=0° γ=25°	2:1	55000	N	N	252	7600		
WH-4500-300	4500	3.0	93.4	205	151	40.2	760	5915	9-Φ16-20	β=0° γ=25°	2:1	55000	N	N	127	6500		
WH-4500-350		3.5	108.9	235	176	46.9	1000	6859							252	7600		
WH-4500-400		4.0	109.7	238	153	40.7									760	6572	127	6500
WH-4500-500		5.0	137.2	300	191	50.9											252	7600
WH-5000-300	5000	3.0	103.8	230	151	40.2	9-Φ16-20	β=0° γ=25°	2:1	55000	N	N	127	6500				
WH-5000-350		3.5	121.0	260	176	46.9							1000	7622	252	7600		
WH-5000-400		4.0	121.9	265	153	40.7									760	6572	127	6500
WH-5000-500		5.0	152.4	335	191	50.9											252	7600
WH-6000-300	6000	3.0	107.9	235	151	40.2	760	6835	9-Φ16-20	β=0° γ=25°	2:1	55000	N	N	127	6500		
WH-6000-350		3.5	125.9	270	176	46.9									252	7600		
WH-1600-1200-S	1600	12.0	125.4	260	229	61.1	1000	5227	9-Φ16-20	β=0° γ=25°	1:1	55000	N	N	252	7600		
WH-2000-1000-S	2000	10.0	130.8	272	191	50.9	1000	6540	9-Φ16-20	β=0° γ=25°	1:1	55000	N	N	252	7600		
WH-2000-1200-S		12.0	156.9	325	229	61.1									252	7600		
WH-2500-400-S	2500	4.0	65.4	180	101	26.8	760	6207	9-Φ16-20	β=0° γ=25°	1:1	55000	N	N	127	6500		
WH-2500-500-S		5.0	81.7	180	126	33.5												
WH-2500-600-S		6.0	98.0	215	151	40.2												
WH-2500-700-S		7.0	114.4	246	176	46.9									1000	7486	252	7600
WH-2500-800-S		8.0	119.8	263	153	40.7												
WH-2500-1000-S		10.0	149.7	325	191	50.9												
WH-3000-400-S	3000	4.0	71.9	195	101	26.8	760	6827	9-Φ16-20	β=0° γ=25°	1:1	55000	N	N	127	6500		
WH-3000-500-S		5.0	89.9	195	126	33.5												
WH-3000-600-S		6.0	107.8	235	151	40.2												
WH-3000-700-S		7.0	125.8	270	176	46.9												

Notes:

1. Customers need to confirm the wrap angle range with our engineers then order.
2. DC brake requires step-down transformer in cabinet to guarantee holding voltage is DC40V.
3. Roping 2:1, capacity 6000kg and roping 1:1, capacity 3000kg application, the balance ratio is 0.45~0.5, other requirement please consult engineers.
4. Regen drive application, please consult with us, then order with notes.
5. The machines are suitable for a lot of special application, if needed, please contact us.



Elevator

Keeping People Moving

Development History of Nidec Elevator Business

Traction Machine-IMPERIAL
(Ohio, USA)



1908

Traction Machine-KDS
(Foshan Shunde, China)



1960

Control System R&D Center-MCE
(California, USA)



1983

Control System Factory-KDM
(Mexico)



2006

Nidec Elevator Package-NEQC
(Qingdao, China)



2016

1946



Hydraulic Elevator- CANTON
(Ohio, USA)

1973



Control Techniques
Inverter-CT
(Wales, UK)

1995



Control System-NKET
(Wuxi, China)

2012



Nidec Group
Acquired KINETEK

